



207 SERIES CAT



DIN3852 and other threads available upon request.
AISI 316 available but only for minimum quantities.

- **Materials**

Carbon Steel *EN -10277-3 / AISI 316L*

Seals: NBR, Viton or EPDM

Back-up-ring: PTFE

Springs: *Carbon Steel DIN 17233/84(B)*

- **Applications:** Designed for Oil hydraulic Applications according to European Directive 97.23.EC

- **Equivalence:** DNP VAV

- **Working temperature (Seals)**

	NBR	Viton	EPDM
+	+100°C	+200°C	+150°C
-	-30°C	-10°C	-40°C

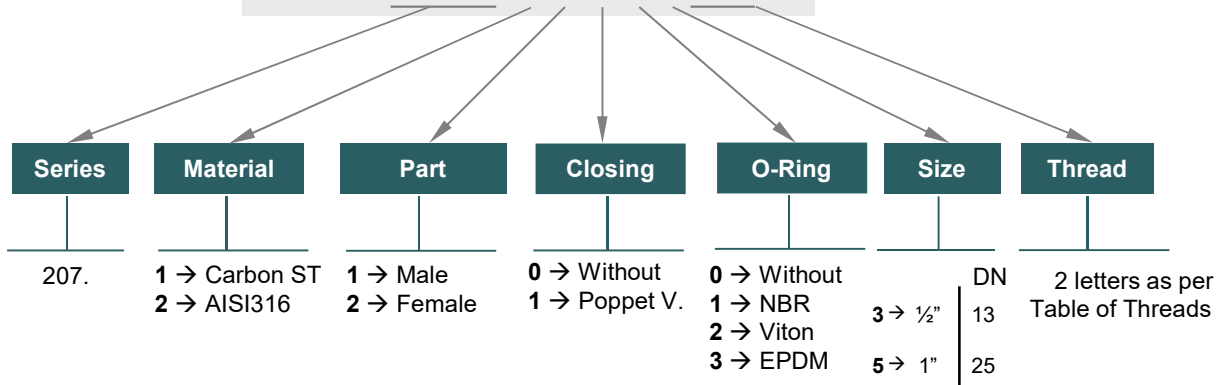
- **Sectors:** Industrial, Agricultural, Construction machinery.



MODEL STRUCTURE

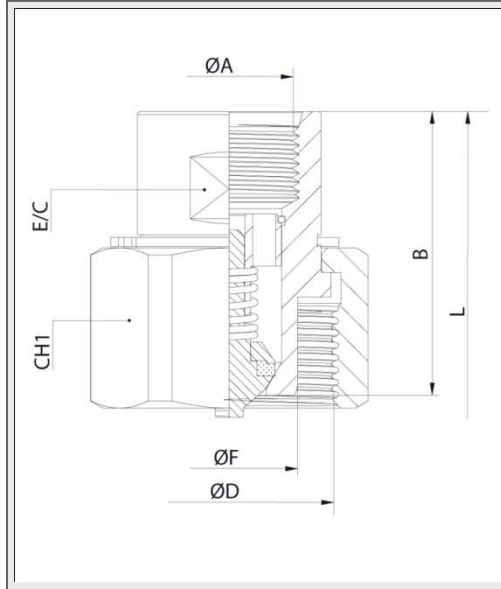
Example:

207.12113 NG

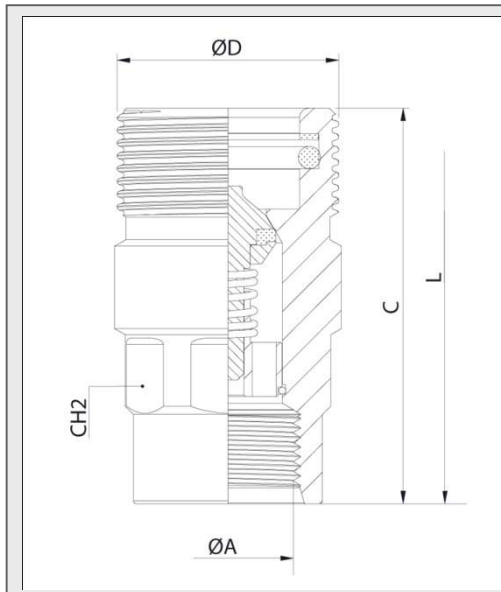




207 SERIES CAT



MALE									
DN	ØA	E/C	CH1	B	ØF	ØD	L	REF.	
13	M22x1,5	27	41	46	22,25	Rd 35x2	92	207.11113NG	400 Bar
13	½" BSP	27	41	46	22,25	Rd 35x2	92	207.11113AD	400 Bar
25	M30x1,5	38	65	68	38	Rd 54x3	134	207.11115NS	360 Bar
25	1" BSP	38	65	68	38	Rd 54x3	134	207.11115AF	360 Bar



FEMALE							
DN	ØA	CH2	C	ØD	L	REF.	
13	M22x1,5	30	62	Rd 35x2	92	207.12113NG	400Bar
13	½" BSP	30	62	Rd 35x2	92	207.12113AD	400Bar
25	M30x1,5	46	96	Rd 54x3	134	207.12115NS	360 Bar
25	1" BSP	46	96	Rd 54x3	134	207.12115AF	360 Bar



207 SERIES CAT

PLUGS
& CAPS

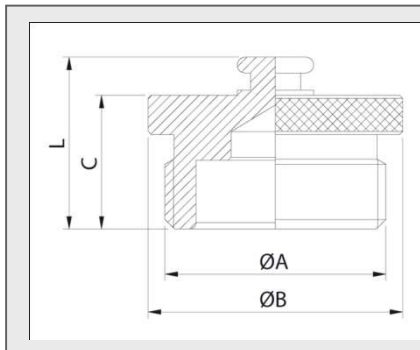
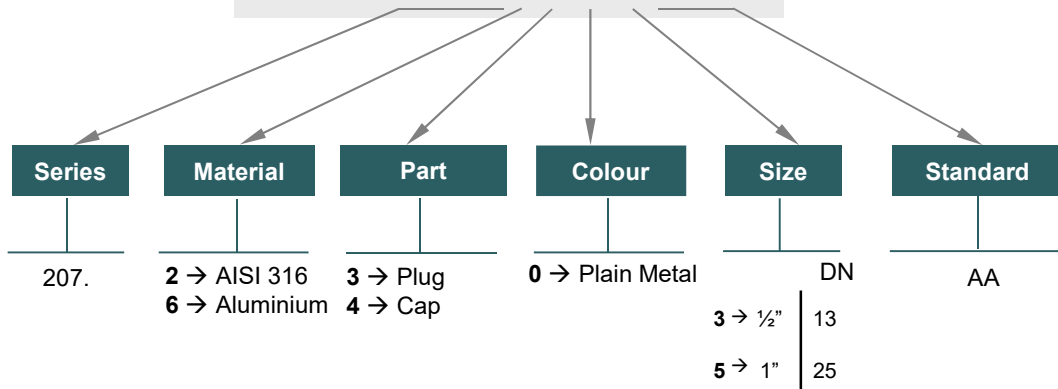


CAT SERIES PLUGS, CAPS and have been designed to protect FEMALE (coupler) or MALE (nipple) parts while they are disconnected.

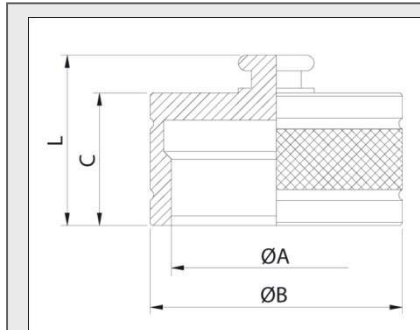
MODEL STRUCTURE

Example:

207.6403 AA



PLUG					
DN	REF.	ØA	ØB	C	L
13	207.6303AA	Rd 35x2	40	21	27
25	207.6305AA	Rd 54x3	60	37,5	43,5



CAP					
DN	REF.	ØA	ØB	C	L
13	207.6403AA	Rd 35x2	40	21	27
25	207.6405AA	Rd 54x3	60	29	35