



106 SERIES DIA



Manufactured according to ISO 5675 norm.
 Special product for American market.
 Poppet Valve or Ball closing system.
 BSP, NPTF, SAE/ORB threads. Other threads available upon request.

• Materials

Carbon Steel EN -10277-3
 Seals: NBR, Viton or EPDM
 Back-Up-Ring: PTFE
 Balls: AISI 1010/1015
 Springs: Carbon Steel
 DIN 17233/84(B)

• Working temperature (Seals)

	NBR	Viton	EPDM
+	+100°C	+200°C	+150°C
-	-30°C	-10°C	-40°C

• **Applications:** Designed for Oil hydraulic Applications according to European Directive 97.23.EC

• **Sectors:** Industrial, Agricultural



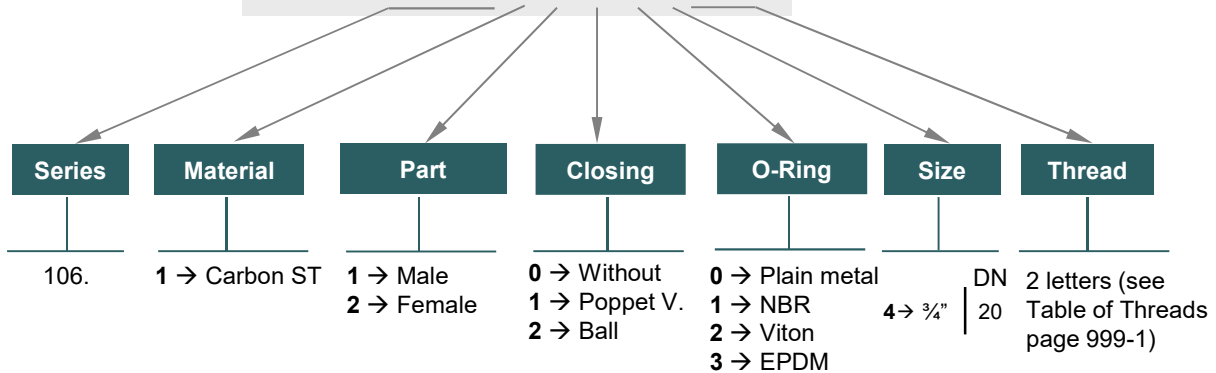
• Equivalence

FASTER NV-NS
 AEROQUIP FD76
 PARKER 4000
 SNAP-TITE 60

MODEL STRUCTURE

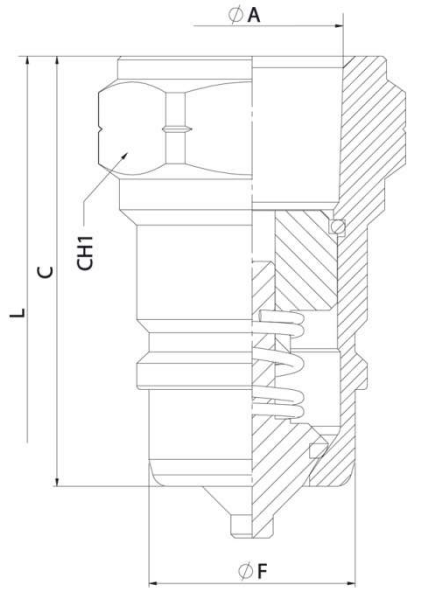
Example:

106.11114 BE





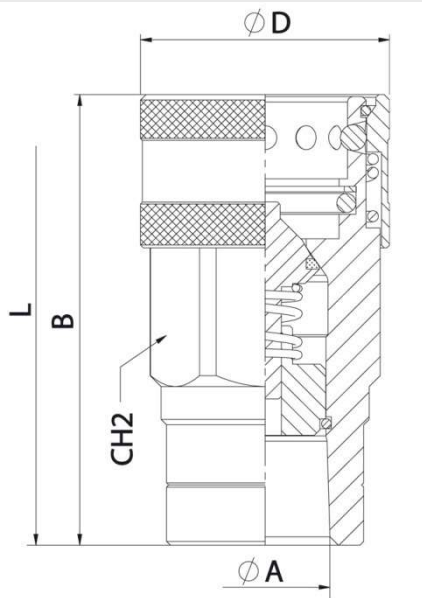
106 SERIES DIA



STANDARD MALE MODEL

DN	ØA	REF.		CH1	C	ØF	L
20	¾" NPTF	106.11114BE	250Bar	36	56	26,85	112
20	¾" NPTF	106.11214BE*	250Bar	36	56	26,85	112

* Ball Valve Style



STANDARD FEMALE MODEL

DN	ØA	REF.		CH2	B	ØD	L
20	¾" NPTF	106.12114BE	250Bar	38	82	45,50	112
20	¾" NPTF	106.12214BE*	250Bar	38	82	45,50	112

* Ball Valve Style