



471 SERIES EK3

FLOW DIVERTER
3-WAY



Designed exclusively as flow diverters..

TECHNICAL FEATURES

Operating pressure:	Up to 190 Bar
Materials:	Body: Carbon Steel EN 10277-3
	O-rings: NBR / VITON / EPDM
	Seating Ball: Without*
	Handle: Steel
Available Threads:	BSP
Anchoring System:	Included
Applications:	Designed for oil hydraulic (Group II- 2014/68/EU)
Interchange:	*

Available Sizes: 3/8"

Working Temperature (O-rings)

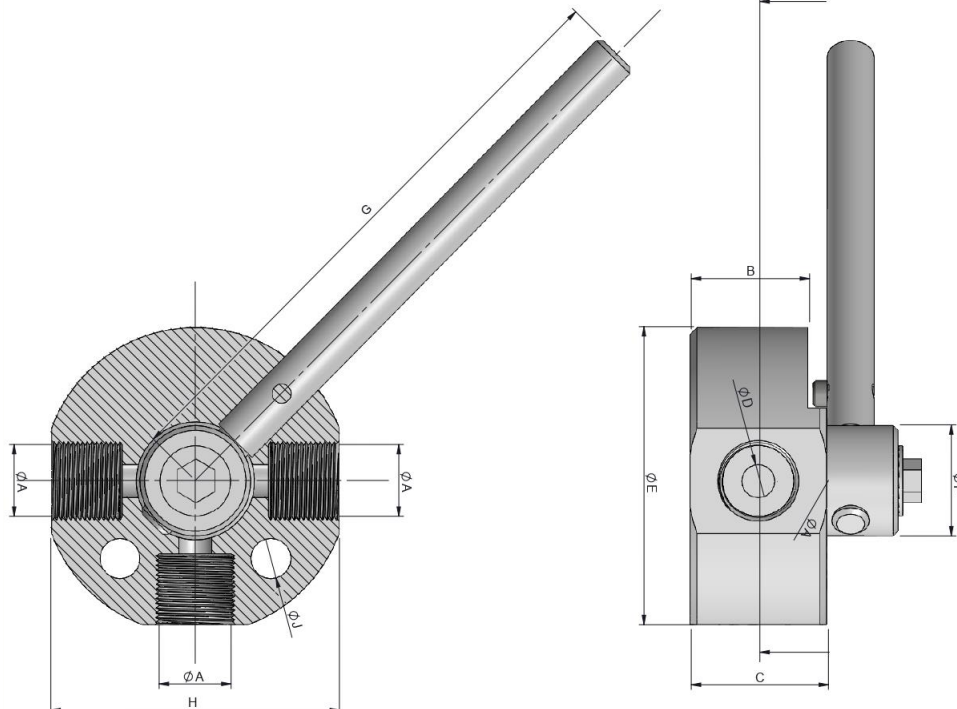
	NBR	Viton	EPDM
	+100°C	+200°C	+150°C
	-30°C	-10°C	-40°C

Sectors: Industrial / Agricultural



Closing System: Metal to Metal (without o-ring) (Not 100% sealant)

MODEL STRUCTURE / DIMENSIONS



(S)	F	REF.		Ø A	B	C	Ø D	Ø E	Ø F	G	H	I	Ø J
10	3/8" BSP	471.1112AC	190	15.20	25	29	7	65	26.50	127.25	61	15.50	8.50

471-1

INTEVA reserves the right to make modifications to its products without prior notice. Any external or internal alterations to our products will automatically void the warranty.

