



471 SERIES EK3 BSP

BSP



Steel manufacturing.
Designed exclusively as flow diverters.

- **Materials**

Carbon Steel EN -10277-3

Seals: NBR, Viton or EPDM

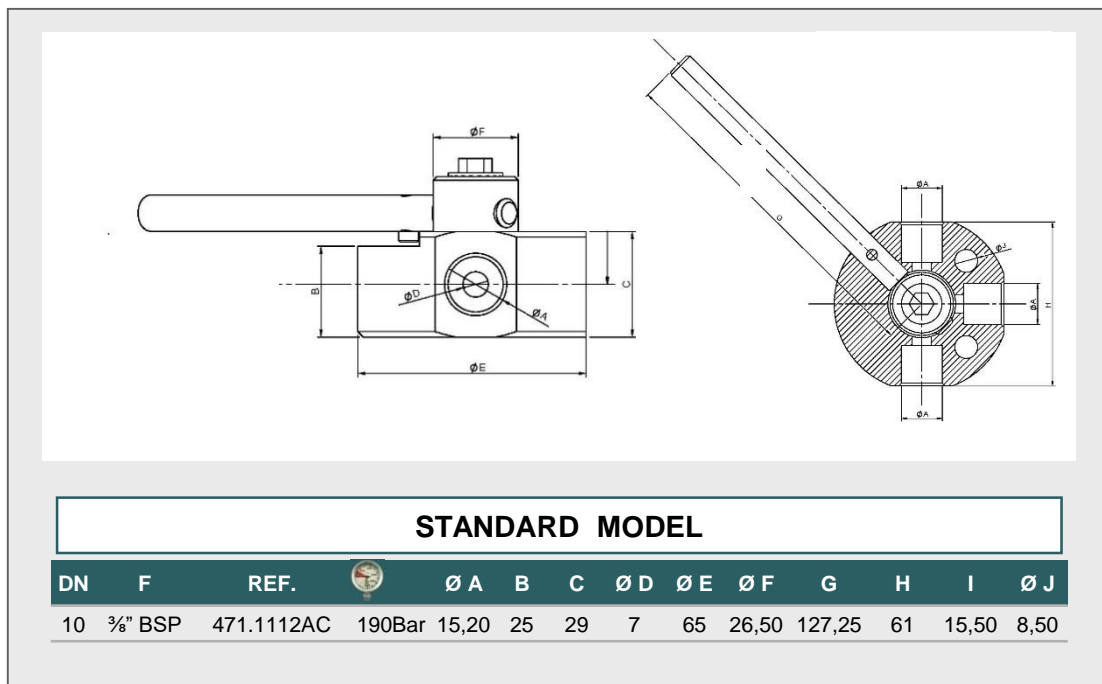
Handle: ZAMAK-5

- **Working temperature (O-ring)**

| | NBR | Viton | EPDM |
|--|--------|--------|--------|
| | +100°C | +200°C | +150°C |
| | -30°C | -10°C | -40°C |

- **Applications:** Designed for Oil hydraulic Applications.

- **Sectors:** Industrial, Agricultural.



Metal closure system without O-ring. (Not 100% sealant).

471-1

INTEVA S.A. Reserves the right to make modifications in its products without prior notice.
Any external or internal alteration in our products will automatically void the warranty.

