



202 SERIES HPA

Manufactured according to the standard ISO 14540.
Designed for cylinders, hand pumps and similar high hydraulic applications.
Ball or Poppet valve closing system available.
NPTF Threads. Other threads upon request.

• Materials

| | CARBON STEEL | STAINLESS STEEL |
|---------|---------------------------------|----------------------|
| Body | Carbon Steel EN-10277-3 | AISI 316L |
| O-ring | NBR, Viton or EPDM | NBR, Viton or EPDM |
| Balls | AISI 1010/1015 | AISI 1010/1015 |
| Springs | Carbon Steel DIN 17233/84(B) | AISI302 DIN 17224 |

• Working temperature (O-ring)

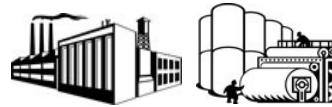
| | NBR | Viton | EPDM |
|---|--------|--------|--------|
| + | +100°C | +200°C | +150°C |
| - | -30°C | -10°C | -40°C |

• Applications: Designed for Oil hydraulic Applications

• Equivalence:

ENERPAC C-604
CEJN 230
PARKER 3000

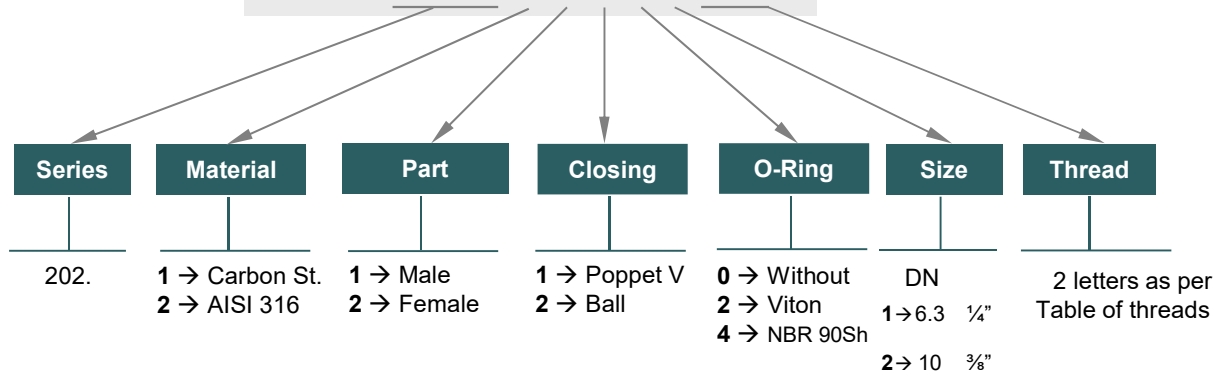
• Sectors: Industrial



MODEL STRUCTURE

Example:

202. 12242 BN



202-1

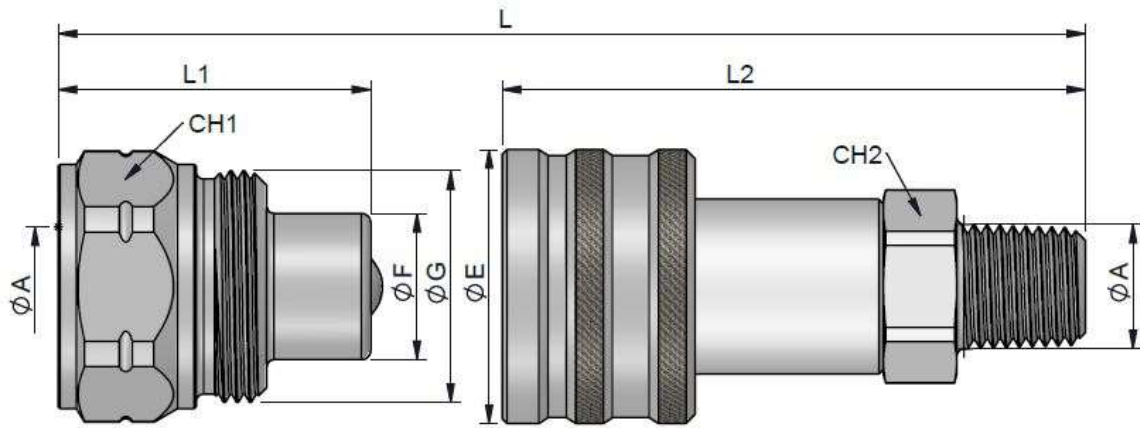


202 SERIES

HPA BALL VALVE



DN6.3

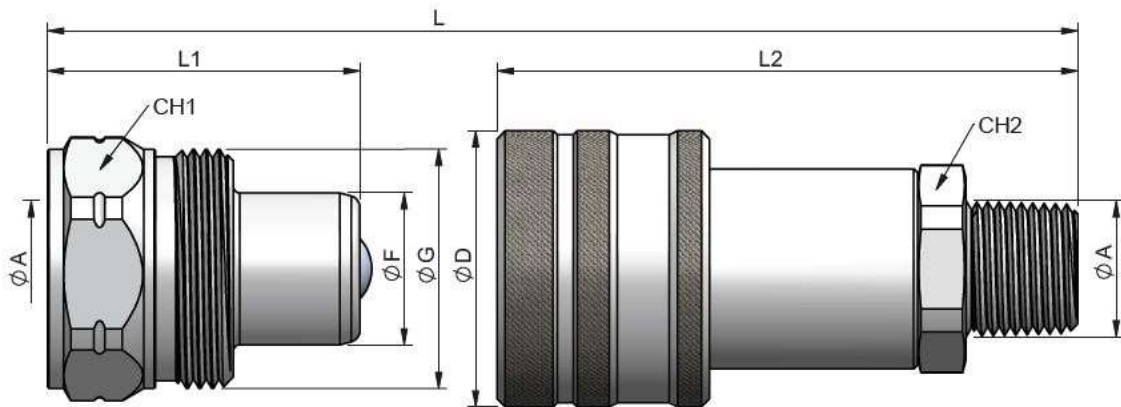


MALE STANDARD MODELS

FEMALE STANDARD MODELS

| DN | ØA | REF. | | CH1 | ØG | L1 | ØF | L | DN | ØA | REF. | | CH2 | L2 | ØD | L |
|-----|-----------|-------------|--------|-----|-------|----|-------|------|-----|--------------|-------------|--------|-----|------|------|------|
| 6.3 | 1/4" NPTF | 202.11201BB | 700Bar | 27 | 1" UN | 34 | 15.90 | 78.5 | 6.3 | 1/4" NPTF M. | 202.12241BM | 700Bar | 19 | 63.5 | 29.8 | 78.5 |
| | 1/4" NPTF | 202.21201BB | | | | | | | | | 202.22221BM | | | | | |

DN10



MALE STANDARD MODELS

FEMALE STANDARD MODELS

| DN | ØA | REF. | | CH1 | ØG | L1 | ØF | L | DN | ØA | REF. | | CH2 | L2 | ØD | L |
|----|-----------|-------------|--------|-----|------------|----|----|-------|----|--------------|-------------|--------|-----|------|------|-------|
| 10 | 3/8" NPTF | 202.11202BC | 700Bar | 30 | 1 3/16" UN | 39 | 19 | 87.27 | 10 | 3/8" NPTF M. | 202.12242BN | 700Bar | 24 | 72.5 | 34.5 | 87.27 |
| | 3/8" NPTF | 202.21202BC | | | | | | | | | 202.22222BN | | | | | |

L= lenght while quick coupling is connected.

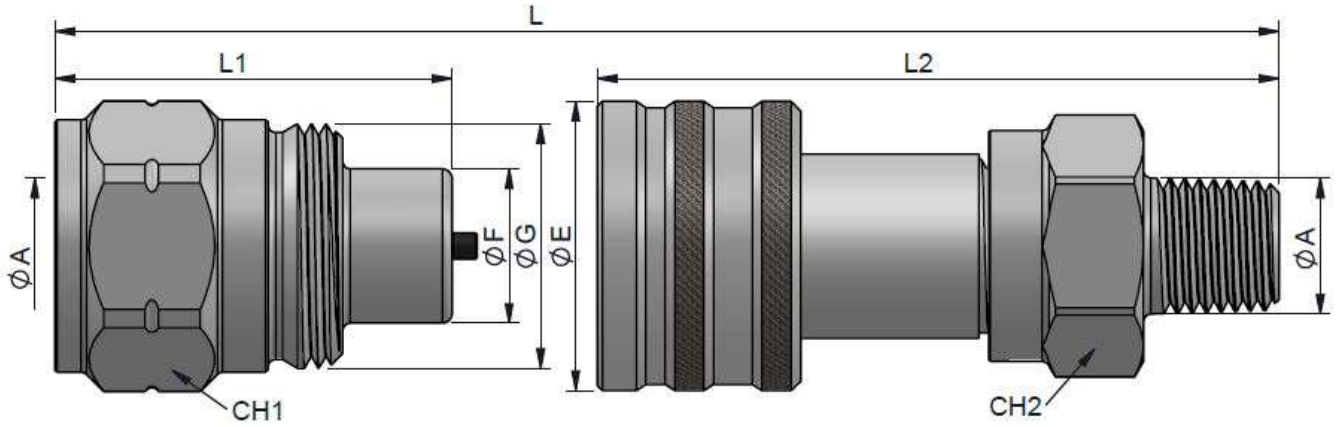


202 SERIES

HPA POPPET VALVE



DN6.3



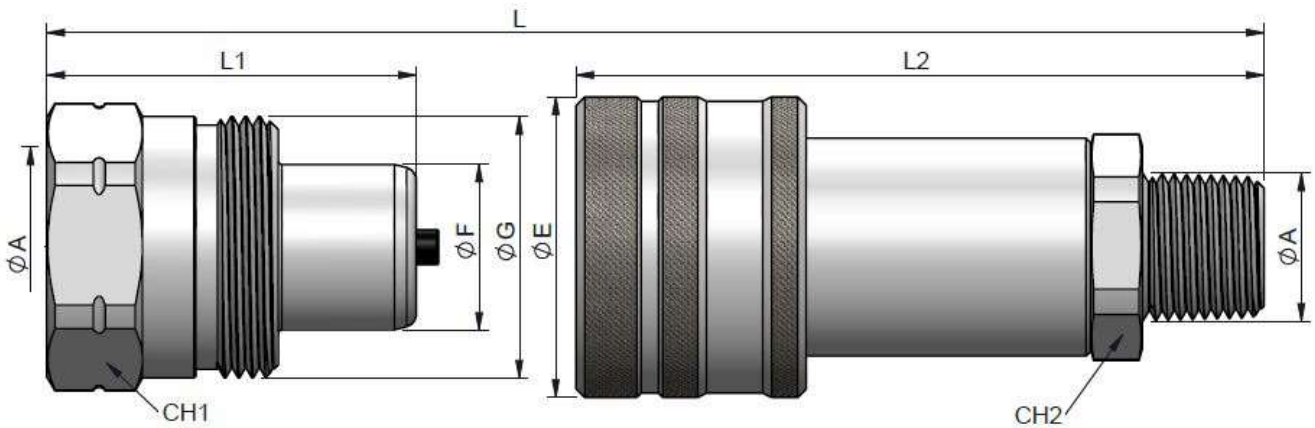
MALE STANDARD MODELS

FEMALE STANDARD MODELS

| DN | ØA | REF. | | CH1 | ØG | L1 | ØF | L |
|-----|-----------|-------------|---------|-----|-------|----|-------|-------|
| 6.3 | 1/4" NPTF | 202.11141BB | 1200Bar | 27 | 1" UN | 41 | 15.90 | 92.40 |
| | 1/4" NPTF | 202.21121BB | | | | | | |

| DN | ØA | REF. | | CH2 | L2 | ØD | L |
|-----|--------------|-------------|---------|------|------|------|-------|
| 6.3 | 1/4" NPTF M. | 202.12141BM | 1200Bar | 23.8 | 70.4 | 29.8 | 92.40 |
| | 1/4" NPTF M. | 202.22121BM | | | | | |

DN10



MALE STANDARD MODELS

FEMALE STANDARD MODELS

| DN | ØA | REF. | | CH1 | ØG | L1 | ØF | L |
|----|-----------|-------------|---------|-----|------------|------|----|------|
| 10 | 3/8" NPTF | 202.11142BC | 1200Bar | 30 | 1 3/16" UN | 42.5 | 19 | 97.5 |
| | 3/8" NPTF | 202.21122BC | | | | | | |

| DN | ØA | REF. | | CH2 | L2 | ØD | L |
|----|--------------|-------------|---------|-----|------|------|------|
| 10 | 3/8" NPTF M. | 202.12142BN | 1200Bar | 24 | 79.2 | 34.5 | 97.5 |
| | 3/8" NPTF M. | 202.22122BN | | | | | |

L= lenght while quick coupling is connected.



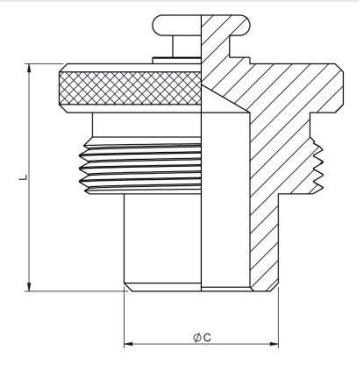
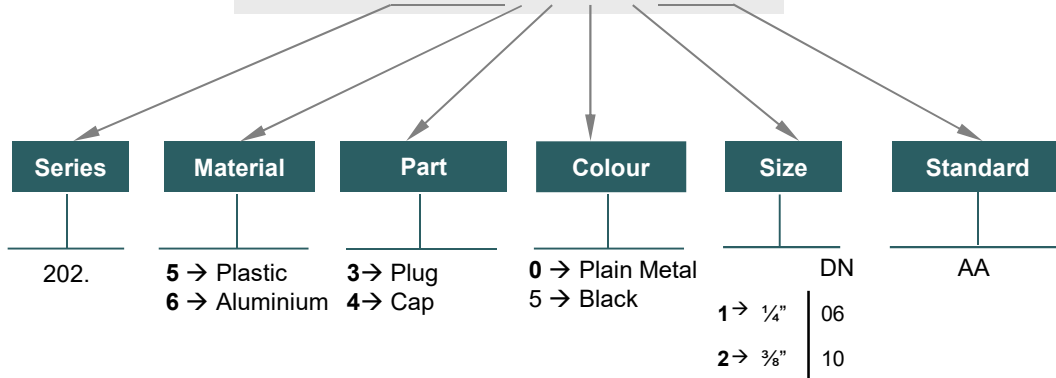
202 SERIES HPA PLUGS & CAPS

HPA SERIES PLUGS and CAPS have been designed to protect FEMALE (coupler) or MALE (nipple) parts while they are disconnected.

MODEL STRUCTURE

Example:

202.6302 AA

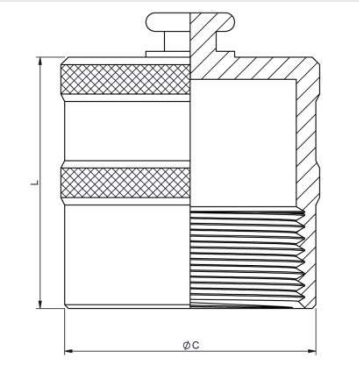


METAL PLUG

| DN | ALUMINUM | AISI 316 | ØC | L |
|-----|------------|------------|-------|----|
| 6.3 | 202.6301AA | 202.2301AA | 15,85 | 24 |
| 10 | 202.6302AA | 202.2302AA | 19 | 28 |

PLASTIC PLUG

| DN | PLASTIC | ØC | L |
|-----|------------|------|----|
| 6.3 | 202.5351AA | 15,7 | 24 |
| 10 | 202.5352AA | 19 | 28 |



METAL CAP

| DN | ALUMINUM | AISI 316 | ØC | L |
|-----|------------|------------|----|----|
| 6.3 | 202.6401AA | 202.2401AA | 29 | 28 |
| 10 | 202.6402AA | 202.2402AA | 34 | 34 |

PLASTIC CAP

| DN | PLASTIC | ØC | L |
|-----|------------|----|----|
| 6.3 | 202.5451AA | 29 | 25 |
| 10 | 202.5452AA | 34 | 34 |



202 SERIES HPA



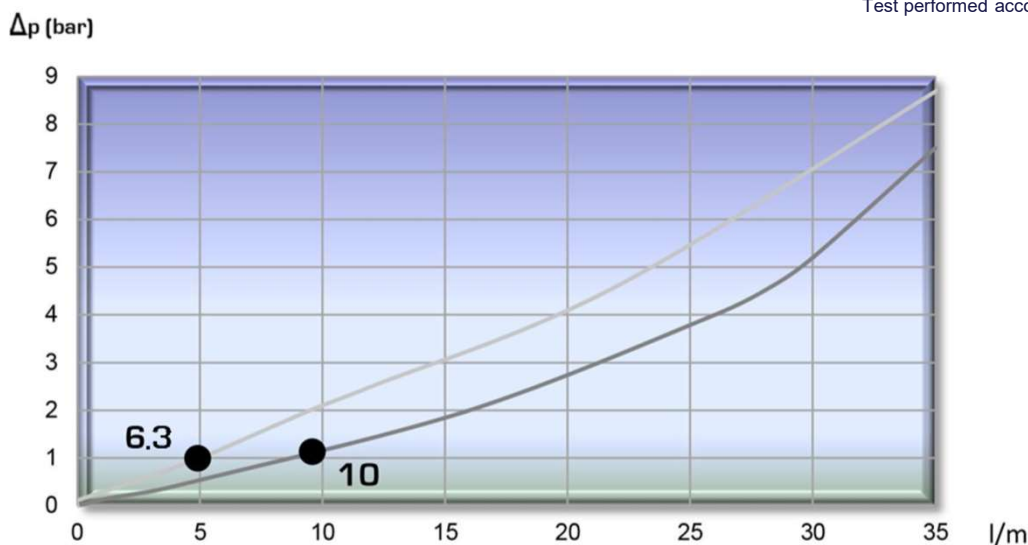
TECHNICAL DATA

BALL VALVE

Carbon Steel and Stainless Steel AISI316

| DN | Rated Flow | Min Burst Pressure (bar) | | | Max. Working Pressure | Spillage |
|-----|------------|--------------------------|--------|---------|-----------------------|----------|
| | | Male | Female | Coupled | | |
| 6.3 | 5 l/m | 1500 | 2000 | 2200 | 700 Bar | 0.2 |
| 10 | 9 l/m | 1500 | 2000 | 2200 | 700 Bar | 0.6 |

Test performed according to ISO 18869



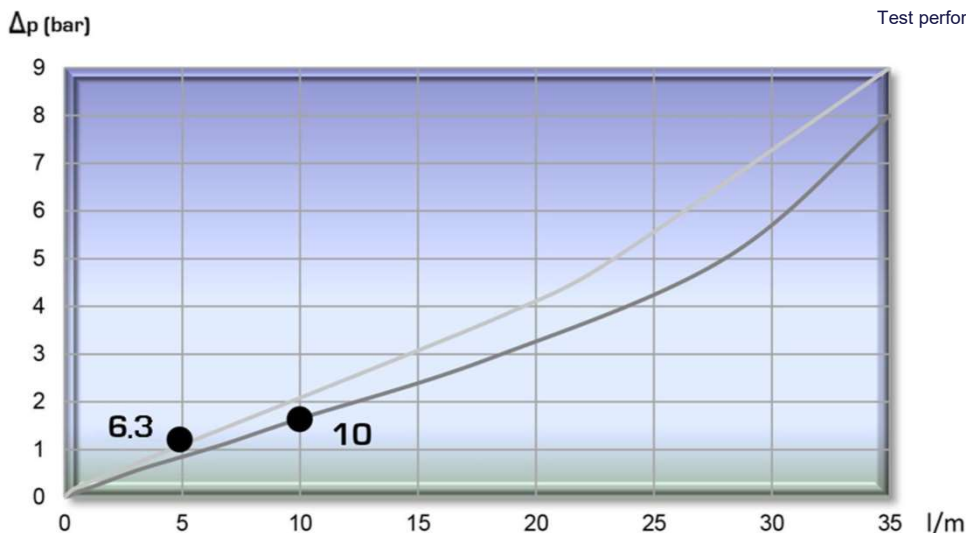
TECHNICAL DATA

POPPET VALVE

Carbon Steel and Stainless Steel AISI316

| DN | Rated Flow | Min Burst Pressure (bar) | | | Max. Working Pressure | Spillage |
|-----|------------|--------------------------|--------|---------|-----------------------|----------|
| | | Male | Female | Coupled | | |
| 6.3 | 5 l/m | 2700 | 2400 | 2400 | 1200 Bar | 0.5 |
| 10 | 9 l/m | 2600 | 2400 | 2800 | 1200 Bar | 1.5 |

Test performed according to ISO 18869



202-5

