



202 SERIES HPA

Manufactured according to the standard ISO 14540.
Designed for cylinders, hand pumps and similar high hydraulic applications.
Ball or Poppet valve closing system available.
NPTF Threads. Other threads upon request.

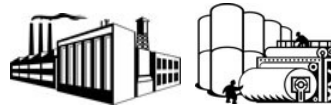
• Materials

	CARBON STEEL	STAINLESS STEEL
Body	Carbon Steel EN-10277-3	AISI 316L
Seals	NBR, Viton or EPDM	NBR, Viton or EPDM
Balls	AISI 1010/1015	AISI316 W. 14401
Springs	Carbon Steel DIN 17233/84(B)	AISI302 DIN 17224

• Working temperature (Seals)

	NBR	Viton	EPDM
+	+100°C	+200°C	+150°C
-	-30°C	-10°C	-40°C

• Sectors: Industrial



• **Applications:** Designed for Oil hydraulic Applications according to European Directive 97.23.EC

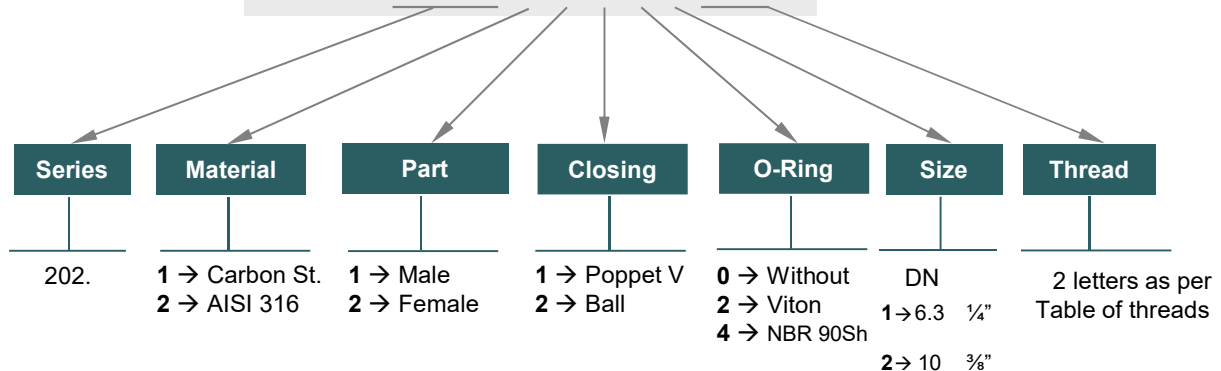
• Equivalence:

ENERPAC C-604
CEJN 230
PARKER 3000

MODEL STRUCTURE

Example:

202. 12242 BN



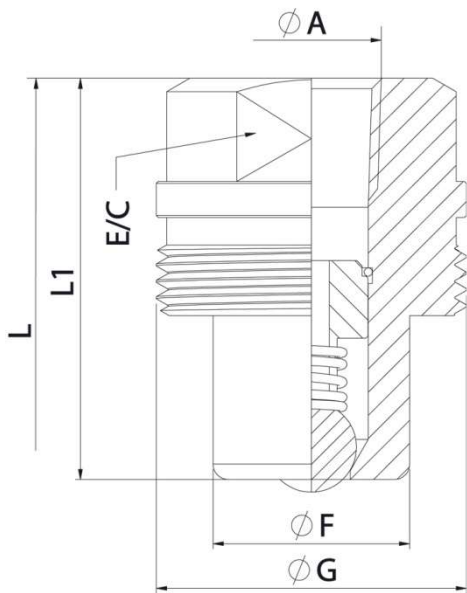
202-1






202 SERIES


HPA BALL VALVE

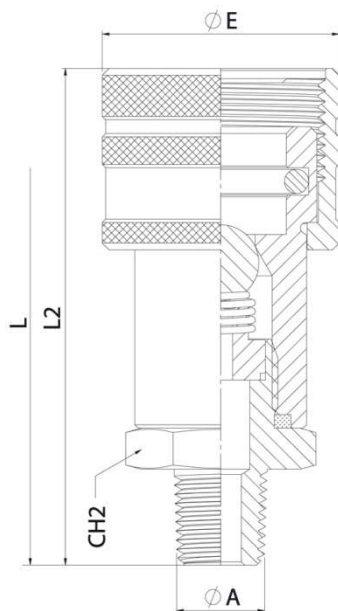


STANDARD MALE MODELS


DN	ØA	REF.		E/C	ØG	L1	ØF	L
6.3	1/4" NPTF	202.11201BB	700Bar	19	1" UN	34	15,90	75,5
10	3/8" NPTF	202.11202BC	700Bar	24	1 3/16" UN	38,88	18,99	87,14

STAINLESS STEEL MALE MODELS


DN	ØA	REF.		E/C	ØG	L1	ØF	L
6.3	1/4" NPTF	202.21201BB	700Bar	19	1" UN	34	15,90	75,5
10	3/8" NPTF	202.21202BC	700Bar	24	1 3/16" UN	38,88	18,99	87,14



STANDARD FEMALE MODELS

DN	ØA	REF.		CH2	L2	ØD	L
6.3	1/4" NPTF M.	202.12241BM	700Bar	19	53	30	75,5
10	3/8" NPTF M.	202.12242BN	700Bar	24	64	34,50	87,14

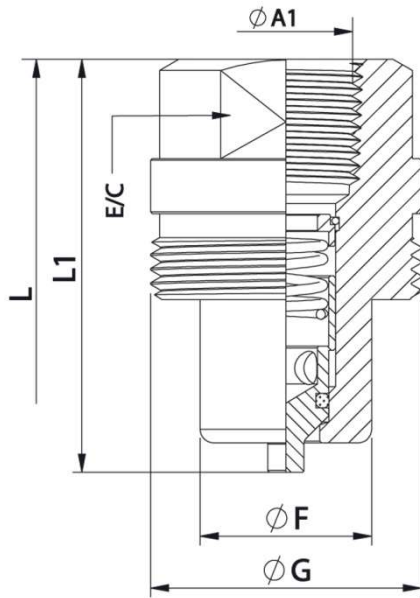
STAINLESS STEEL FEMALE MODELS

DN	ØA	REF.		CH2	L2	ØD	L
6.3	1/4" NPTF M.	202.22221BM	700Bar	19	53	30	75,5
10	3/8" NPTF M.	202.22222BN	700Bar	24	64	34,50	87,14




202 SERIES


HPA POPPET VALVE

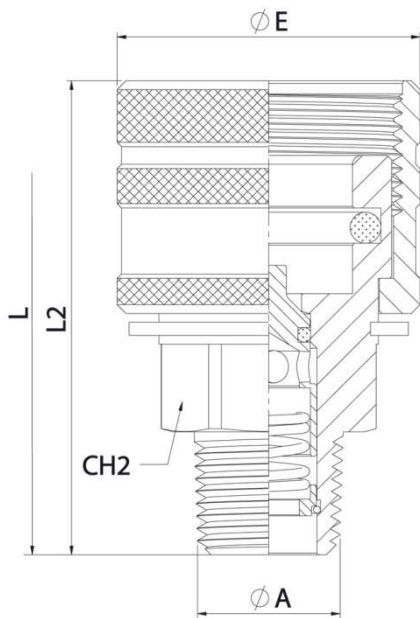


STANDARD MALE MODELS

DN	ØA1	REF.		E/C	ØG	L1	ØF	L
6.3	¼" NPTF	202.11141BB	1200Bar	19	1" UN	38	15,90	60,50
10	⅜" NPTF	202.11142BC	1200Bar	24	1 3/16" UN	44,70	18,99	72,75

STAINLESS STEEL MALE MODELS

DN	ØA1	REF.		E/C	ØG	L1	ØF	L
6.3	¼" NPTF	202.21121BB	1200Bar	19	1" UN	38	15,90	60,50
10	⅜" NPTF	202.21122BC	1200Bar	24	1 3/16" UN	44,70	18,99	72,75



STANDARD FEMALE MODELS

DN	ØA	REF.		CH2	L2	ØE	L
6.3	¼" NPTF M.	202.12141BM	1200Bar	17	41	30	60,50
10	⅜" NPTF M.	202.12142BN	1200Bar	22	54	34,50	72,75

STAINLESS STEEL FEMALE MODELS

DN	ØA	REF.		CH2	L2	ØE	L
6.3	¼" NPTF M.	202.22121BM	1200Bar	17	41	30	60,50
10	⅜" NPTF M.	202.22122BN	1200Bar	22	54	34,50	72,75



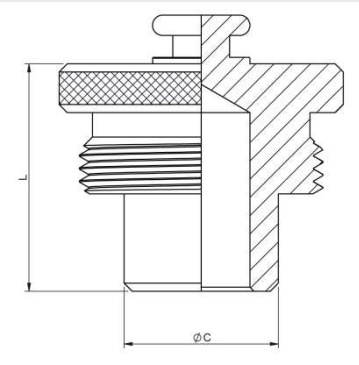
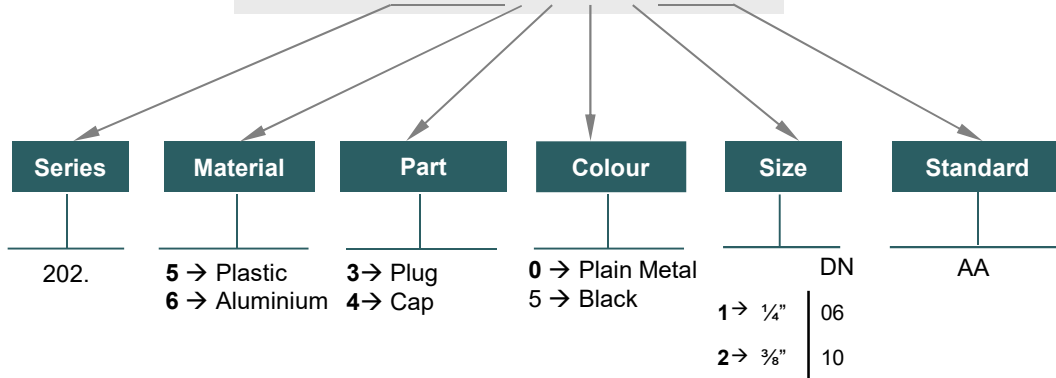
202 SERIES HPA PLUGS & CAPS

HPA SERIES PLUGS and CAPS have been designed to protect FEMALE (coupler) or MALE (nipple) parts while they are disconnected.

MODEL STRUCTURE

Example:

202.6302 AA

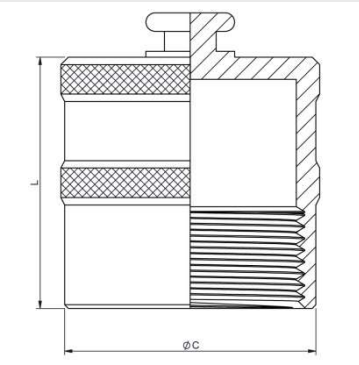


METAL PLUG

DN	ALUMINUM	AISI 316	ØC	L
6.3	202.6301AA	202.2301AA	15,85	24
10	202.6302AA	202.2302AA	19	28

PLASTIC PLUG

DN	PLASTIC	ØC	L
6.3	202.5351AA	15,7	24
10	202.5352AA	19	28



METAL CAP

DN	ALUMINUM	AISI 316	ØC	L
6.3	202.6401AA	202.2401AA	29	28
10	202.6402AA	202.2402AA	34	34

PLASTIC CAP

DN	PLASTIC	ØC	L
6.3	202.5451AA	29	25
10	202.5452AA	34	34



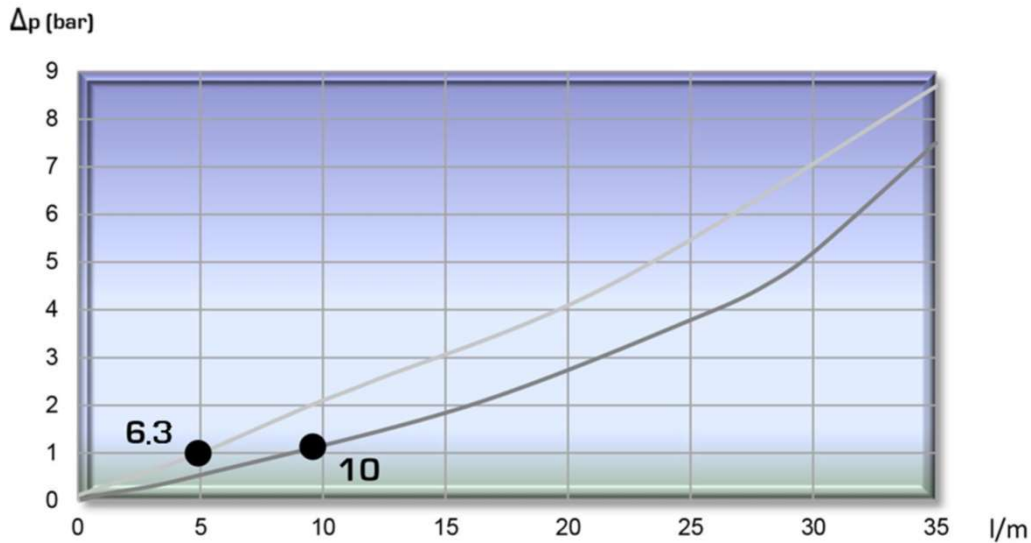
202 SERIES HPA

TECHNICAL DATA

BALL VALVE

Carbon Steel and Stainless Steel AISI316

DN	Rated Flow	Min Burst Pressure (bar)			Max. Working Pressure	Spillage
		Male	Female	Coupled		
6.3	5 l/m	1500	2000	2200	700 Bar	0.2
10	9 l/m	1500	2000	2200	700 Bar	0.6

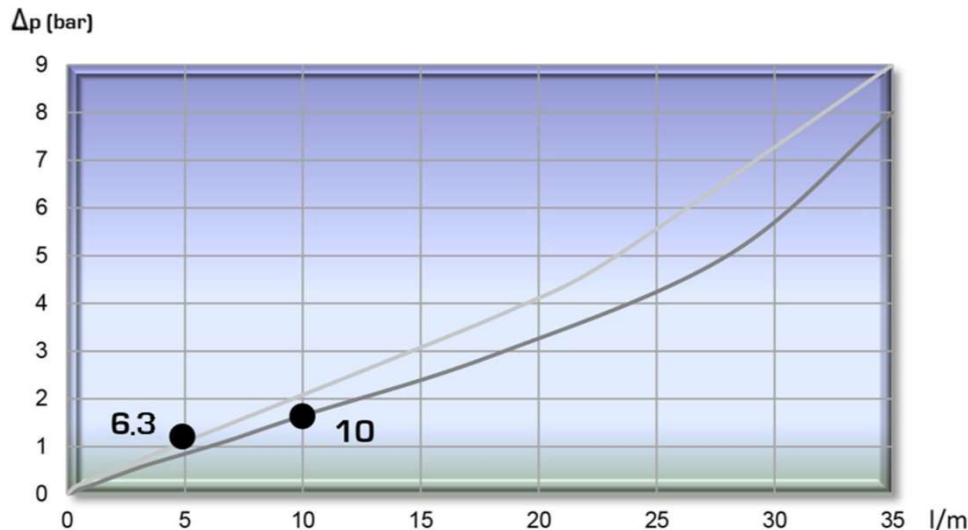


TECHNICAL DATA

POPPET VALVE

Carbon Steel and Stainless Steel AISI316

DN	Rated Flow	Min Burst Pressure (bar)			Max. Working Pressure	Spillage
		Male	Female	Coupled		
6.3	5 l/m	2700	2400	2400	1200 Bar	0.5
10	9 l/m	2600	2400	2800	1200 Bar	1.5



202-5

