



150 SERIES INV



- **Materials**

Carbon Steel *EN -10277-3 / AISI 316L / Brass*

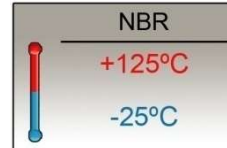
Seals: NBR

Back-up-ring: PTFE

Balls: *AISI 1010/1015*

Springs: *Carbon Steel DIN 17233/84(B)*

- **Working temperature (Seals)**



- **Applications:**

• Designed for Oil hydraulic.

• Applications according to European Directive 97.23.EC

- **Equivalence: FASTER TNV
SNAP-TITE H**

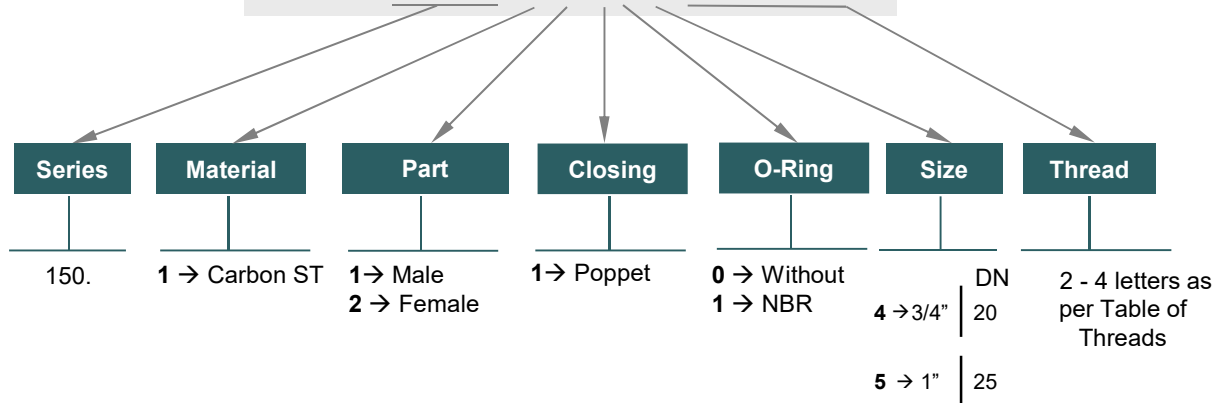
- **Sectors: Industrial. Building machinery.**



MODEL STRUCTURE

Example:

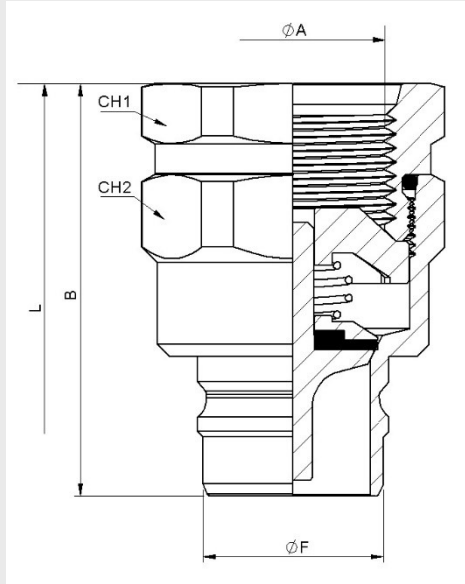
150.12114AEORB




150-1



150 SERIES INV

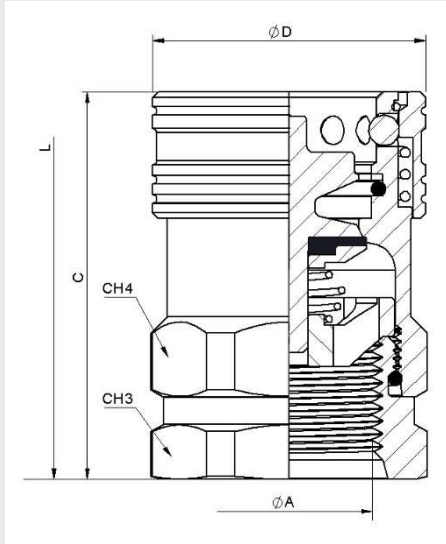


MALE STANDARD MODELS


DN	ØA	REF,		B	CH1	CH2	ØF	L
20	3/4" BSP ORB	150.11114AEORB	190Bar	63,5	36	38	23,4	105,5
	3/4" NPTF	150.11114BE	190Bar	63,5	36	38	23,4	105,5
25	1" BSP ORB	150.11115AFORB	150Bar	68	46	46	29,7	115,5
	1" NPTF	150.11115BF	150Bar	68	46	46	29,7	115,5



150 SERIES INV

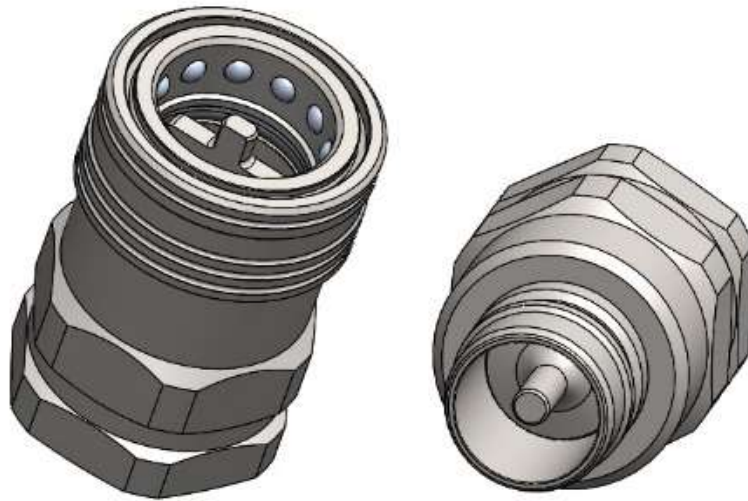


FEMALE STANDARD MODELS

DN	$\varnothing A$	REF.		C	CH3	CH4	$\varnothing D$	L
20	3/4" BSP ORB	150.12114AEORB	190Bar	64	36	38	41,5	105,5
	3/4" NPTF	150.12114BE	190Bar	64	36	38	41,5	105,5
25	1" BSP ORB	150.12115AFORB	150Bar	70,5	46	46	49,5	115,5
	1" NPTF	150.12115BF	150Bar	70,5	46	46	49,5	115,5



150 SERIES INV

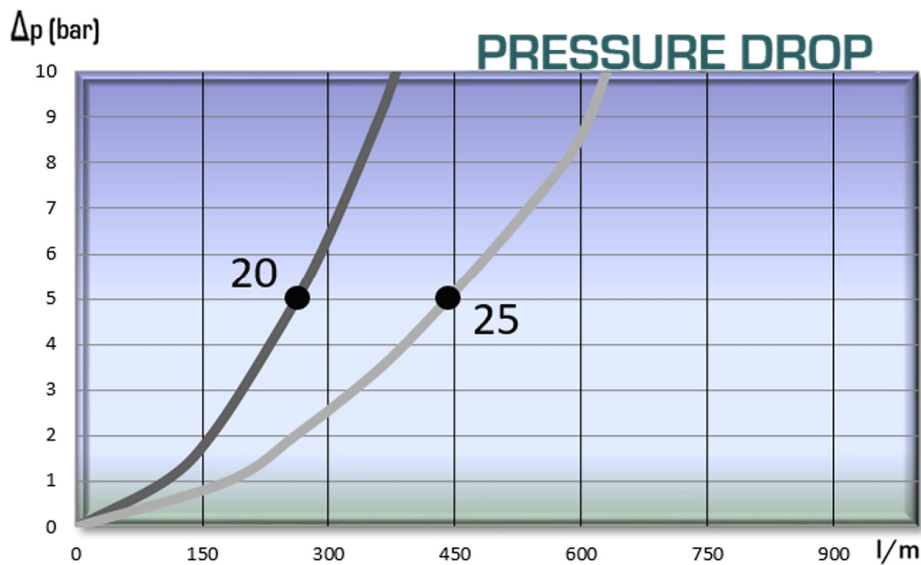


TECHNICAL DATA

Carbon Steel

DN	Max. Flow	Connection Force	Min. Burst Pressure (bar)			Max. Working Pressure	Fluid Spillage
			Male	Female	Connected		
20	170 l/m	110N	760	760	760	190Bar	0,014 l
25	280 l/m	150N	600	600	600	150Bar	0,020 l

Test performed according to ISO 18869



150-4