



103 SERIES

ISO-B CARBON STEEL / AISI 316 / BRASS



Manufactured according to ISO 7241-B norm.
 Poppet Valve closing system.
 BSP, NPTF, SAE/ORB threads. Other threads available upon request.

• Materials

	CARBON STEEL	STAINLESS STEEL	BRASS
Body	Carbon Steel EN-10277-3	AISI 316	Brass CuZn39Pb3
Seals	NBR, Viton or EPDM	NBR, Viton or EPDM	NBR, Viton or EPDM
Back-up-ring	PTFE	PTFE	PTFE
Balls	AISI 1010/1015	AISI316 W. 14401	AISI316 W. 14401
Springs	Carbon Steel DIN 17233/84(B)	AISI302 DIN 17224	AISI302 DIN 17224

• **Applications:** Designed for Oil hydraulic Applications according to European Directive 97.23.EC

• Equivalence

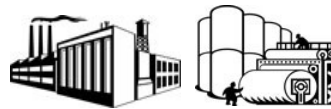
FASTER H AEROQUIP FD45
 PARKER 60 SNAP-TITE 72

• Working temperature (Seals)

	NBR	Viton	EPDM
+	+100°C	+200°C	+150°C
-	-30°C	-10°C	-40°C

• Sectors

Carbon Steel → Industrial.



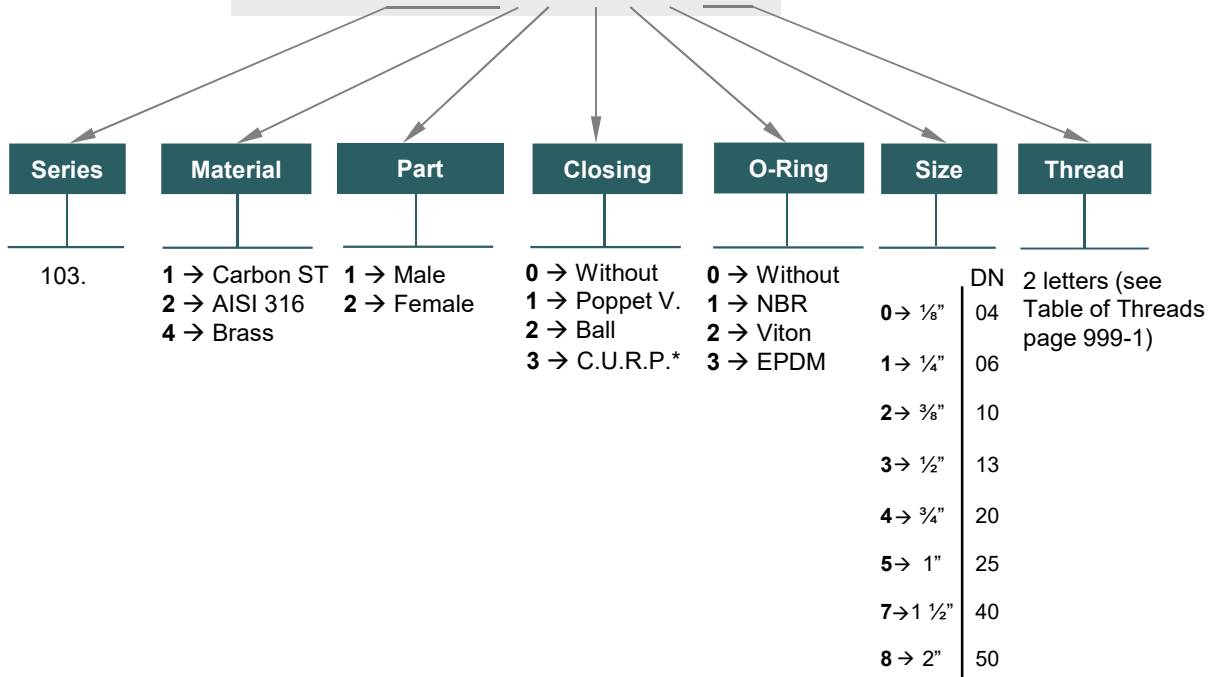
Stainless Steel → Chemical, Industrial, Offshore.



MODEL STRUCTURE

Example:

103.21122 BC



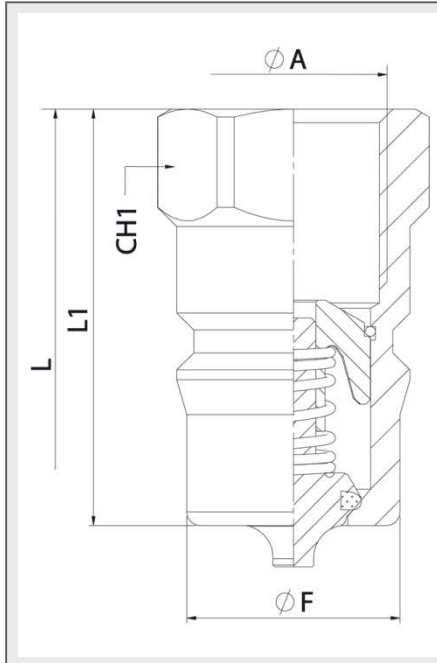
* DN13 available only.

103-1



103 SERIES

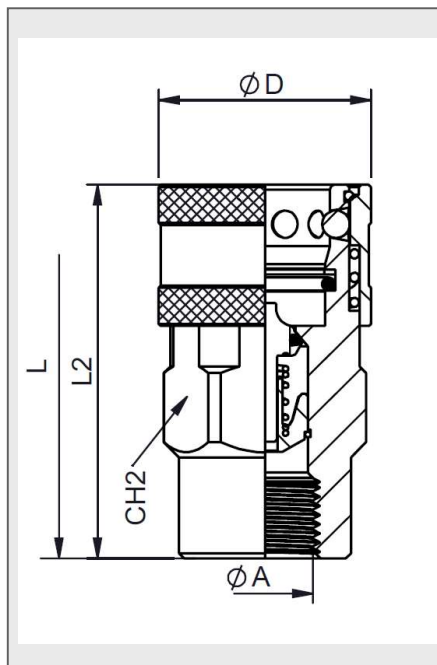
ISO-B CARBON STEEL



MALE				
DN	CH1	L1	ØF	L
04	14	30	10,90	60
06	19	36	14,20	72
10	24	40,50	19,10	81
13	27	46	23,55	92
20	36	56	31,45	112
25	41	63	37,80	126

STANDARD CARBON STEEL MODELS

DN	ØA	MALE	FEMALE	
04	1/8" BSP	103.11110AA	103.12110AA	400Bar
	1/8" NPTF	103.11110BA	103.12110BA	
06	1/4" BSP	103.11111AB	103.12111AB	380Bar
	1/4" NPTF	103.11111BB	103.12111BB	
10	3/8" BSP	103.11112AC	103.12112AC	350Bar
	3/8" NPTF	103.11112BC	103.12112BC	
	3/4"-16ORB	103.11112GF	103.12112GF	
13	1/2" BSP	103.11113AD	103.12113AD	320Bar
	1/2" NPTF	103.11113BD	103.12113BD	
	3/4" - 16ORB	103.11113GF	103.12113GF	
20	7/8" 14ORB	103.11113GH	103.12113GH	300Bar
	3/4" BSP	103.11114AE	103.12114AE	
	3/4" NPTF	103.11114BE	103.12114BE	
25	1 1/16"-12ORB	103.11114GK	103.12114GK	280Bar
	1" BSP	103.11115AF	103.12115AF	
	1" NPTF	103.11115BF	103.12115BF	
	1 5/16"-12ORB	103.11115GO	103.12115GO	



FEMALE				
DN	CH2	L2	ØD	L
04	19	49	22	60
06	22	57,70	27	72
10	27	65,50	35	81
13	36	74	42	92
20	41	90	52	112
25	41	103	60	126



103 SERIES

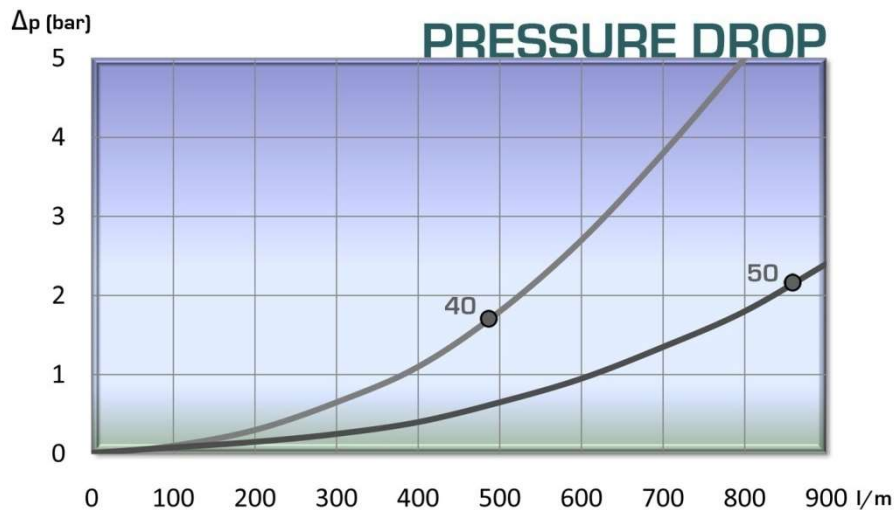
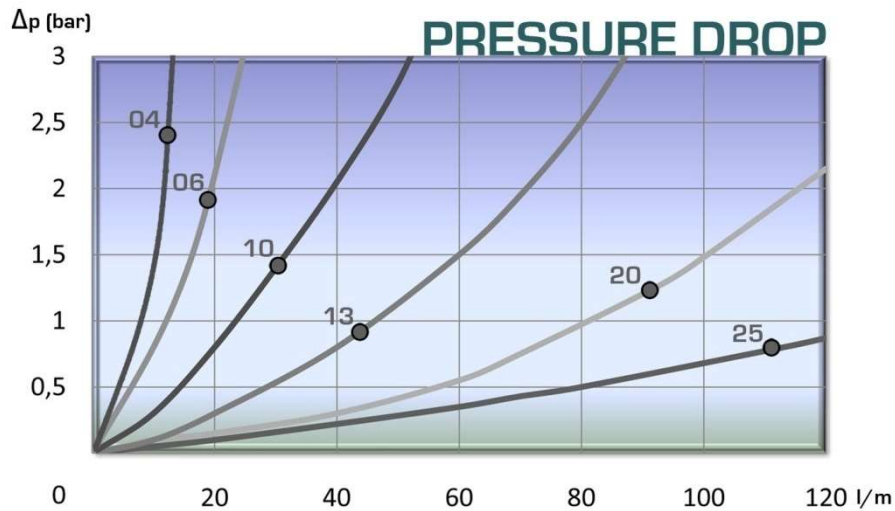
ISO-B CARBON STEEL



TECHNICAL DATA

DN	Rated Flow	Min Burst Pressure (bar)			Max. Working Pressure*
		Male	Female	Coupled	
04	7 l/m	1650	1750	1600	400 Bar
06	15 l/m	1650	1800	1520	380 Bar
10	35 l/m	1580	1580	1400	350 Bar
13	47 l/m	1310	1450	1280	320 Bar
20	93 l/m	1310	1380	1200	300 Bar
25	118 l/m	1200	1400	1120	280 Bar
40	480 l/m	550	560	560	140 Bar
50	890 l/m	370	410	400	100 Bar

Test performed according to ISO 18869

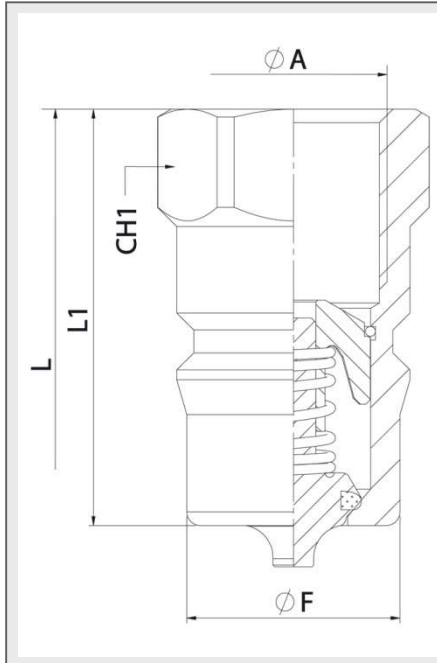


103-3

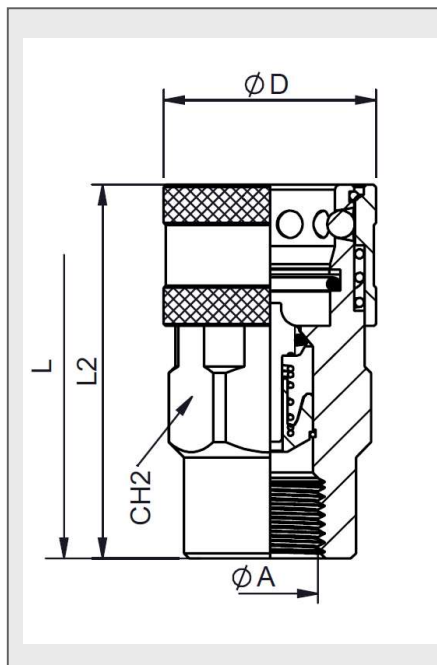


103 SERIES

ISO-B AISI 316



MALE				
DN	CH1	L1	ØF	L
04	14	30	10,90	60
06	19	36	14,20	72
10	24	40,50	19,10	81
13	27	46	23,55	92
20	36	56	31,45	112
25	41	63	37,80	126



FEMALE				
DN	CH2	L2	ØD	L
04	19	49	22	60
06	22	57,70	27	72
10	27	65,50	35	81
13	36	74	42	92
20	41	90	52	112
25	41	103	60	126

STANDARD AISI 316 MODELS

DN	ØA	MALE	FEMALE	
04	1/8" BSP	103.21120AA	103.22120AA	320Bar
	1/8" NPTF	103.21120BA	103.22120BA	
06	1/4" BSP	103.21121AB	103.22121AB	280Bar
	1/4" NPTF	103.21121BB	103.22121BB	
10	3/8" BSP	103.21122AC	103.22122AC	260Bar
	3/8" NPTF	103.21122BC	103.22122BC	
	3/4"-16ORB	Upon request		
13	1/2" BSP	103.21123AD	103.22123AD	260Bar
	1/2" NPTF	103.21123BD	103.22123BD	
	3/4" - 16ORB	Upon request		
20	7/8" 14ORB	Upon request		210Bar
	3/4" BSP	103.21124AE	103.22124AE	
	3/4" NPTF	103.21124BE	103.22124BE	
25	1 1/16"-12ORB	Upon request		210Bar
	1" BSP	103.21125AF	103.22125AF	
	1" NPTF	103.21125BF	103.22125BF	
	1 5/16"-12ORB	Upon request		



103 SERIES

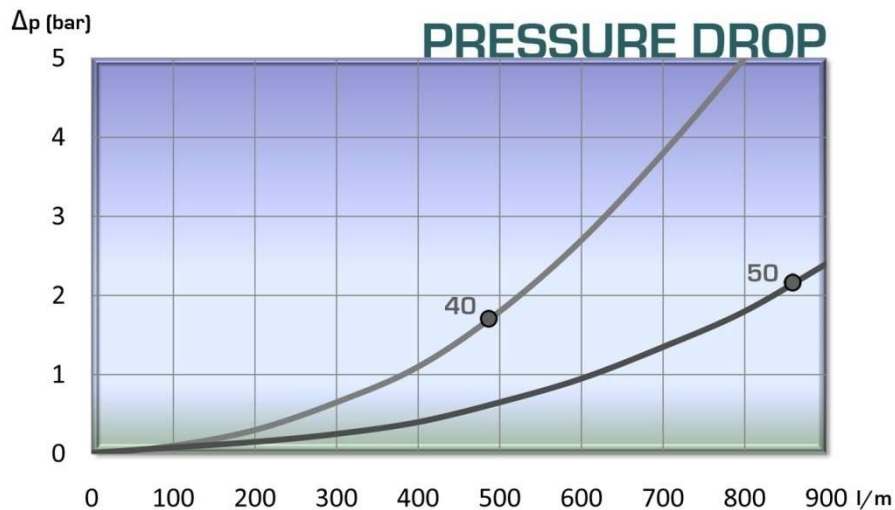
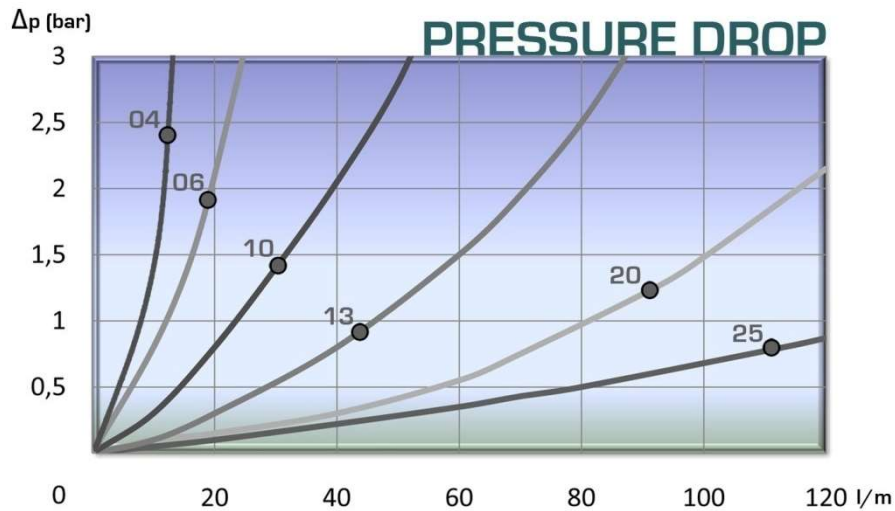
ISO-B STAINLESS STEEL



TECHNICAL DATA

DN	Rated Flow	Min. Burst Pressure (Bar)			Max. Working Pressure (Bar)
		Male	Female	Coupled	
04	7 l/min	1300	1300	1325	320
06	15 l/min	1150	1200	1250	280
10	35 l/min	1060	1075	1200	260
13	47 l/min	1050	1150	1200	260
20	93 l/min	855	875	900	210
25	118 l/min	850	875	900	210
40	480 l/min	480	500	600	120
50	890 l/min	405	415	550	100

Test performed according to ISO 18869

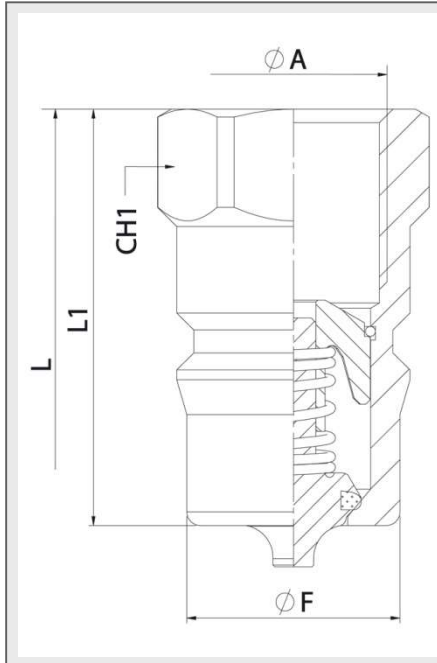


103-5



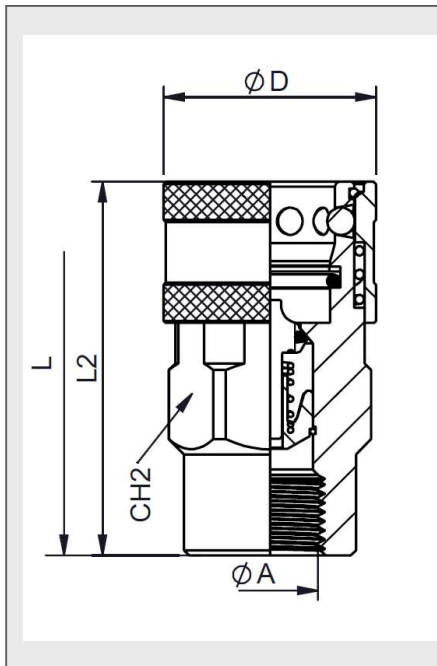
103 SERIES

ISO-B BRASS

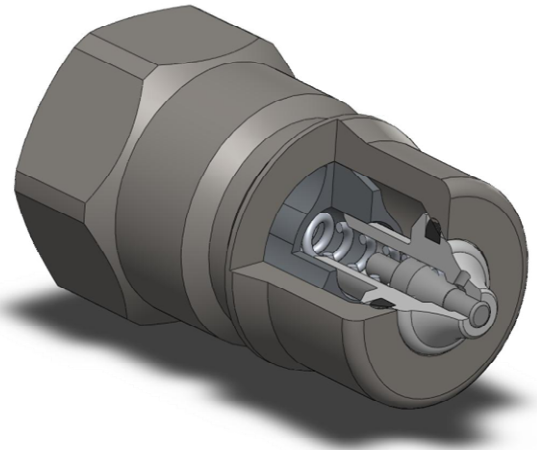


MALE				
DN	CH1	L1	ØF	L
04	14	30	10,90	60
06	19	36	14,20	72
10	24	40,50	19,10	81
13	27	46	23,55	92
20	36	56	31,45	112
25	41	63	37,80	126

STANDARD BRASS MODELS				
DN	ØA	MALE	FEMALE	
04	1/8" BSP	103.41120AA	103.42120AA	250Bar
	1/8" NPTF	103.41120BA	103.42120BA	
06	1/4" BSP	103.41121AB	103.42121AB	200Bar
	1/4" NPTF	103.41121BB	103.42121BB	
10	3/8" BSP	103.41122AC	103.42122AC	200Bar
	3/8" NPTF	103.41122BC	103.42122BC	
	3/4"-16ORB	Upon request		
	1/2" BSP	103.41123AD	103.42123AD	
13	1/2" NPTF	103.41123BD	103.42123BD	200Bar
	3/4" - 16ORB	Upon request		
	7/8" 14ORB	Upon request		
20	3/4" BSP	103.41124AE	103.42124AE	150Bar
	3/4" NPTF	103.41124BE	103.42124BE	
	1 1/16"-12ORB	Upon request		
25	1" BSP	103.41125AF	103.42125AF	150Bar
	1" NPTF	103.41125BF	103.42125BF	
	1 5/16"-12ORB	Upon request		



FEMALE				
DN	CH2	L2	ØD	L
04	19	49	22	60
06	22	57,70	27	72
10	27	65,50	35	81
13	36	74	42	92
20	41	90	52	112
25	41	103	60	126



C.U.R.P. connection is available in DN13
Up to 300 Bar.



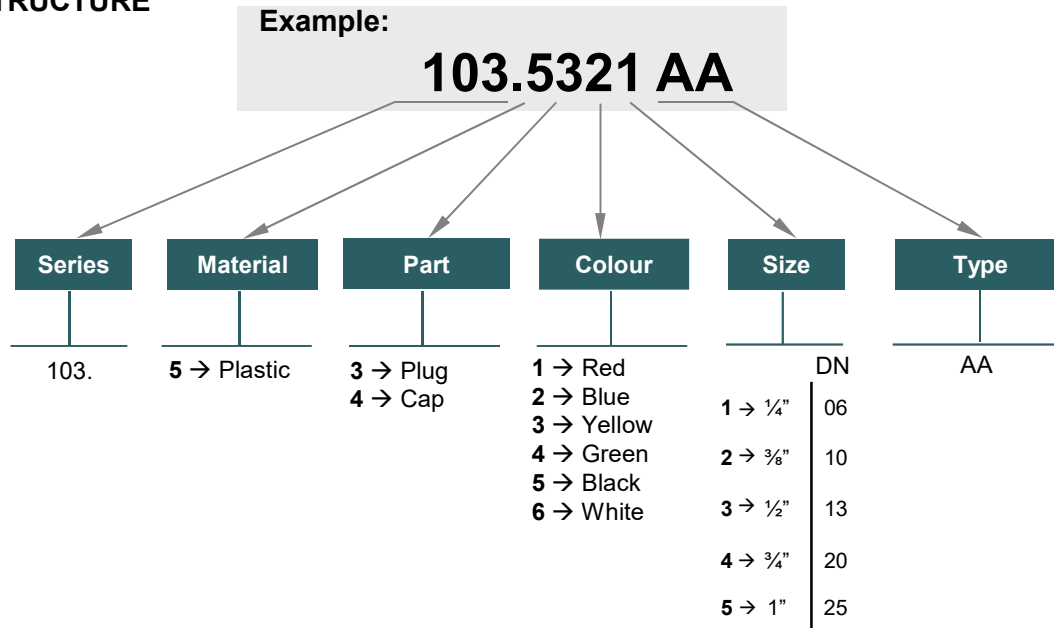
103 SERIES

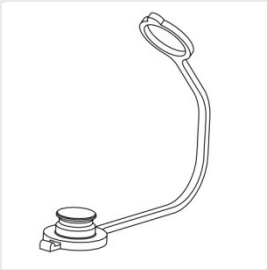
ISO-B PLUGS & CAPS




ISO B SERIES PLUGS/ CAPS have been designed to protect FEMALE (coupler) or MALE (nipple) parts while they are disconnected.
Manufactured according to ISO 7241-B norm

MODEL STRUCTURE





PLUG						
DN	RED	BLUE	YELLOW	GREEN	BLACK	WHITE
04	*	103.5320AA	*	*	*	*
06	*	103.5321AA	*	*	*	*
10	*	103.5322AA	*	*	*	*
13	*	103.5323AA	*	*	*	*
20	*	103.5324AA	*	*	*	*
25	*	103.5325AA	*	*	*	*



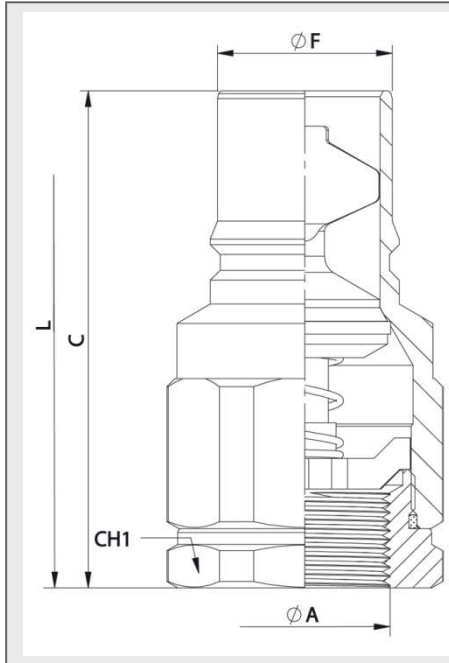
CAP						
DN	RED	BLUE	YELLOW	GREEN	BLACK	WHITE
04	*	103.5420AA	*	*	*	*
06	*	103.5421AA	*	*	*	*
10	*	103.5422AA	*	*	*	*
13	*	103.5423AA	*	*	*	*
20	*	103.5424AA	*	*	*	*
25	*	103.5425AA	*	*	*	*

* NOT AVAILABLE



103 SERIES

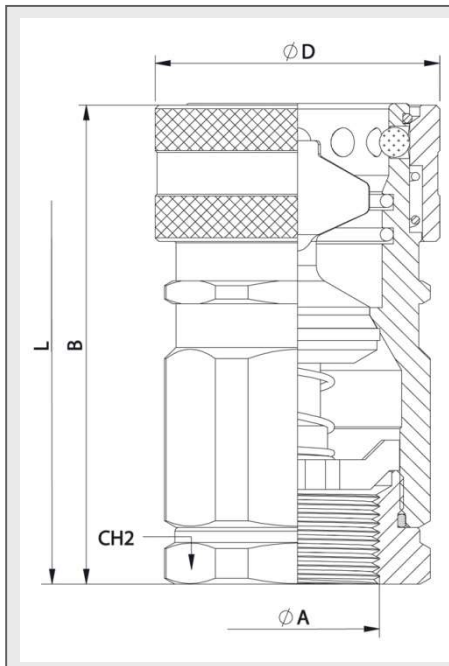
ISO-B DN 40 / DN 50 SIZES



MALE				
DN	CH1	C	ØF	L
40	65	126	44,4	252
50	90	131	63,27	262

STANDARD CARBON STEEL MODELS			
DN	ØA	MALE	FEMALE
40	1 ¼" BSP	103.11117AG	103.12117AG
	1 ¼" NPTF	103.11117BG	103.12117BG
	1 ½" BSP	103.11117AH	103.12117AH
	1 ½" NPTF	103.11117BH	103.12117BH
50	2" BSP	103.11118AI	103.12118AI
	2" NPTF	103.11118BI	103.12118BI
	2 ½" BSP	103.11118AJ	103.12118AJ
	2 ½" NPTF	103.11118BJ	103.12118BJ
	3" BSP	103.11118AK	103.12118AK
	3" NPTF	103.11118BK	103.12118BK

STANDARD STAINLESS STEEL MODELS			
DN	ØA	MALE	FEMALE
40	1 ¼" BSP	103.21127AG	103.22127AG
	1 ¼" NPTF	103.21127BG	103.22127BG
	1 ½" BSP	103.21127AH	103.22127AH
	1 ½" NPTF	103.21127BH	103.22127BH
50	2" BSP	103.21128AI	103.22128AI
	2" NPTF	103.21128BI	103.22128BI
	2 ½" BSP	103.21128AJ	103.22128AJ
	2 ½" NPTF	103.21128BJ	103.22128BJ
	3" BSP	103.21128AK	103.22128AK
	3" NPTF	103.21128BK	103.22128BK



FEMALE				
DN	CH2	B	ØD	L
40	65	126,8	75	252
50	90	131	105	262

STANDARD BRASS MODELS			
DN	ØA	MALE	FEMALE
40	1 ¼" BSP	103.41127AG	103.42127AG
	1 ¼" NPTF	103.41127BG	103.42127BG
	1 ½" BSP	103.41127AH	103.42127AH
	1 ½" NPTF	103.41127BH	103.42127BH
50	2" BSP	103.41128AI	103.42128AI
	2" NPTF	103.41128BI	103.42128BI
	2 ½" BSP	103.41128AJ	103.42128AJ
	2 ½" NPTF	103.41128BJ	103.42128BJ
	3" BSP	103.41128AK	103.42128AK
	3" NPTF	103.41128BK	103.42128BK



103 SERIES

ISO-B PLUGS & CAPS

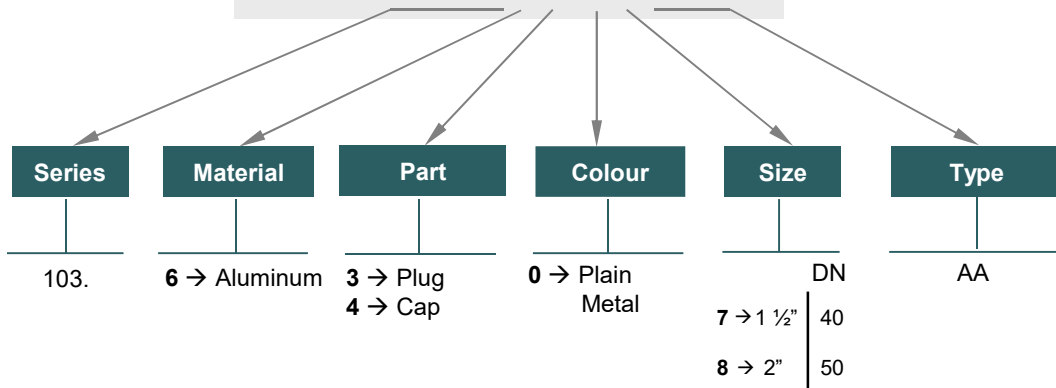


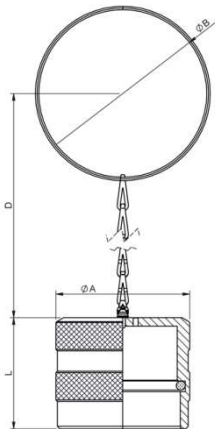
ISO B SERIES PLUGS/ CAPS have been designed to protect FEMALE (coupler) or MALE (nipple) parts while they are disconnected. Manufactured according to ISO 7241-B norm.

MODEL STRUCTURE

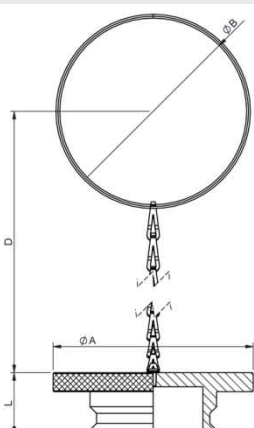
Example:

103.6308 AA





CAP					
DN	ØA	REF.	ØB	L	D
40	60	103.6407AA	70	60	609,5
50	78	103.6408AA	98	65	575,5



PLUG					
DN	ØA	REF.	ØB	L	D
40	75	103.6307AA	68	26	609,5
50	105	103.6308AA	98	32,4	575,5