



105 SERIES PSH



Manufactured according to ISO 7241-A and ISO 5675 norms.
Poppet Valve or Ball closing system.
BSP, NPTF, SAE/ORB threads. Other threads available upon request.

• Materials

Carbon Steel EN -10277-3
Seals: NBR, Viton or EPDM
Back-Up-Ring: PTFE
Balls: AISI 1010/1015
Springs: Carbon Steel
DIN 17233/84(B)

• Working temperature (Seals)

	NBR o-rings	Viton o-rings	EPDM o-rings
	+100°C	+200°C	+150°C
	-30°C	-10°C	-40°C

• **Applications:** Designed for Oil hydraulic Applications according to European Directive 97.23.EC

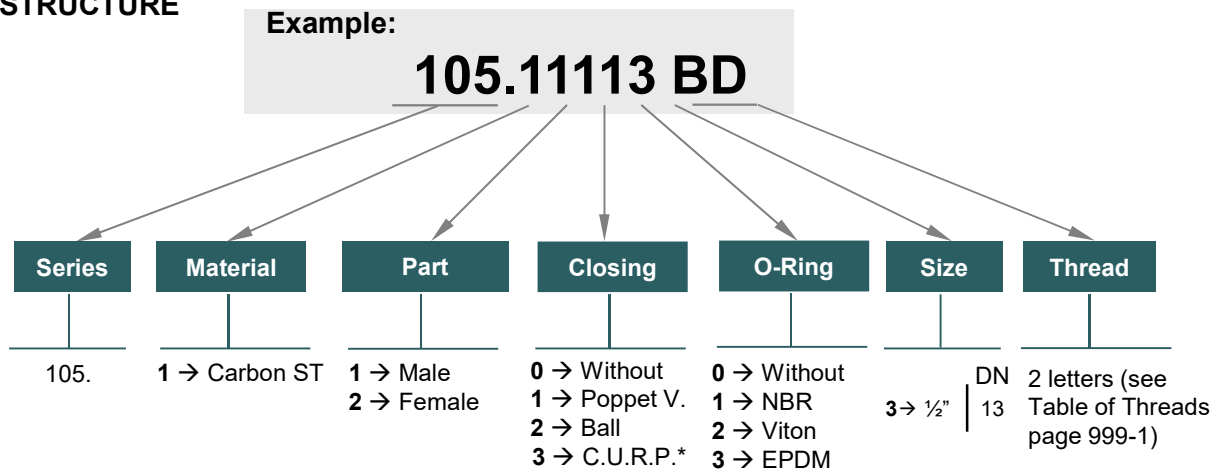
• **Sectors:** Industrial, Agricultural

• Equivalence

FASTER PV / CPV
ARGUS SVK
PARKER 4200



MODEL STRUCTURE

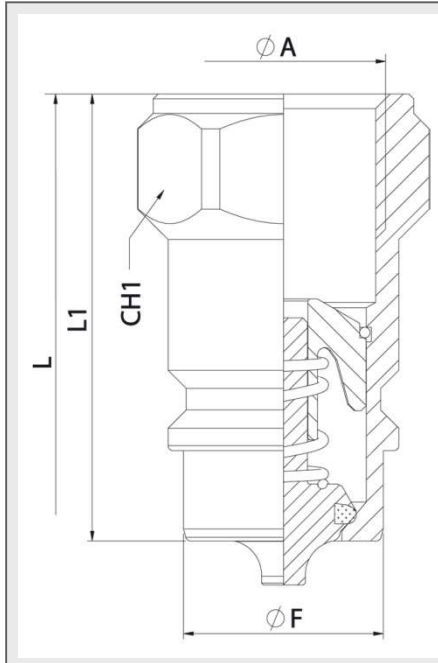


* DN13 available only.

105-1

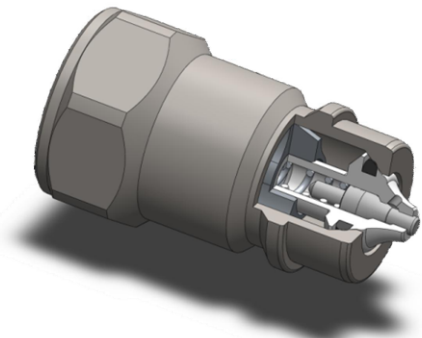


105 SERIES PSH

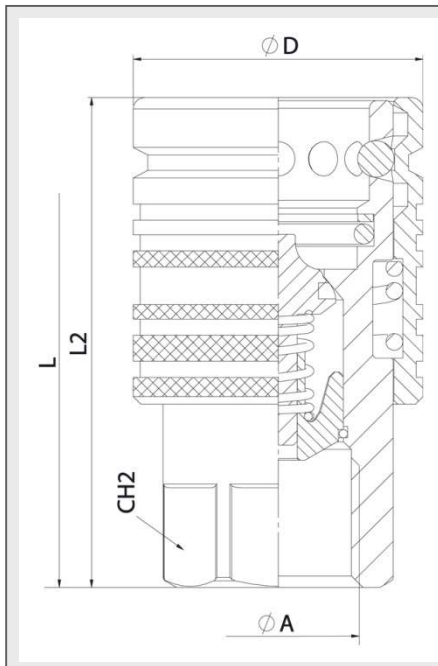


MALE				
DN	CH1	L1	ØF	L
13	27	46	20,56	87,50
		48		89,50
	30	50	91,50	

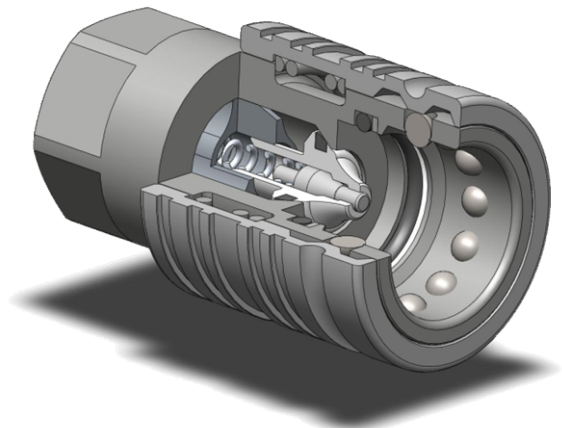
STANDARD MALE MODELS			
DN	ØA	MALE	
13	1/2" BSP	101.11113AD	300Bar
	1/2" NPTF	101.11113BD	
	M22x1,5	101.11113NG	
	3/4" - 16ORB	101.11113GF	
	7/8" 14ORB	101.11113GH	



C.U.R.P. connection is available in DN13
Up to 300 Bar.



FEMALE				
DN	CH2	L2	ØD	L
13	27	63,50	37,80	87,50



STANDARD FEMALE MODELS			
DN	ØA	FEMALE	
13	1/2" BSP	105.12113AD	300Bar
	1/2" NPTF	105.12113BD	
	M22x1,5	105.12113NG	



105 SERIES

PSH PLUGS & CAPS



PSH SERIES PLUGS/ CAPS have been designed to protect **FEMALE** (coupler) or **MALE** (nipple) parts while they are disconnected.

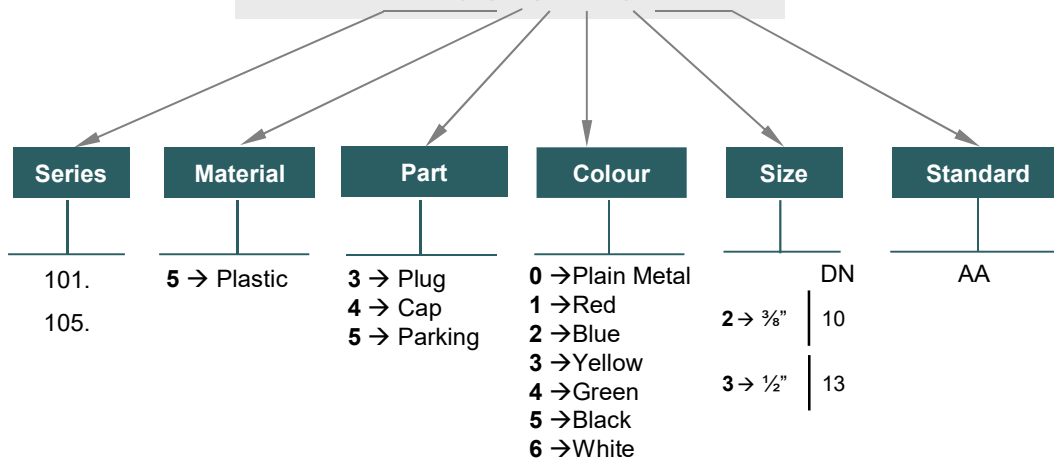
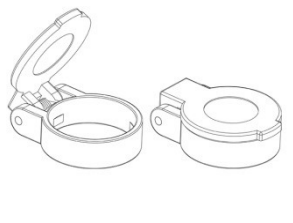
Manufactured according to ISO 7241-A norm, DN13 size meets as well ISO 5675 requirements.

MODEL STRUCTURE


For plugs/caps and parking parts

Example:


105.5413 AA

CAP						
DN	RED	BLUE	YELLOW	GREEN	BLACK	WHITE
10	105.5412AA	*	*	*	*	*
13	105.5413AA	*	*	*	*	*



PLUG						
DN	RED	BLUE	YELLOW	GREEN	BLACK	WHITE
10	101.5312AA	*	*	*	*	*
13	101.5313AA	*	*	*	*	*



CAP						
DN	RED	BLUE	YELLOW	GREEN	BLACK	WHITE
10	101.5412AA	*	*	*	*	*
13	101.5413AA	*	*	*	*	*

* Other colors available upon request.

105-3