



# 205 SERIES STG

BSP / NPTF  
DIN3852 / SAE



Poppet valve closing system  
BSP, NPTF, DIN2353, DIN3852, SAE/ORB and other threads upon request.  
AISI 316 available only by minimum quantities.

### • Materials

Carbon Steel *EN -10277-3 / AISI 316L*

Seals: **NBR, Viton or EPDM**

Back-up-ring: **PTFE**

Springs: *Carbon Steel DIN 17233/84(B)*

• **Applications:** Designed for Oil hydraulic Applications according to European Directive 97.23.EC Hammer Application

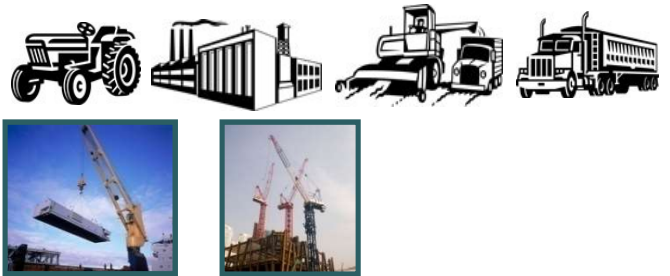
### • Equivalence

FASTER CVV  
ARGUS HD  
VOSWINKEL HS

### • Working temperature (Seals)

	NBR	Viton	EPDM
+	+100°C	+200°C	+150°C
-	-30°C	-10°C	-40°C

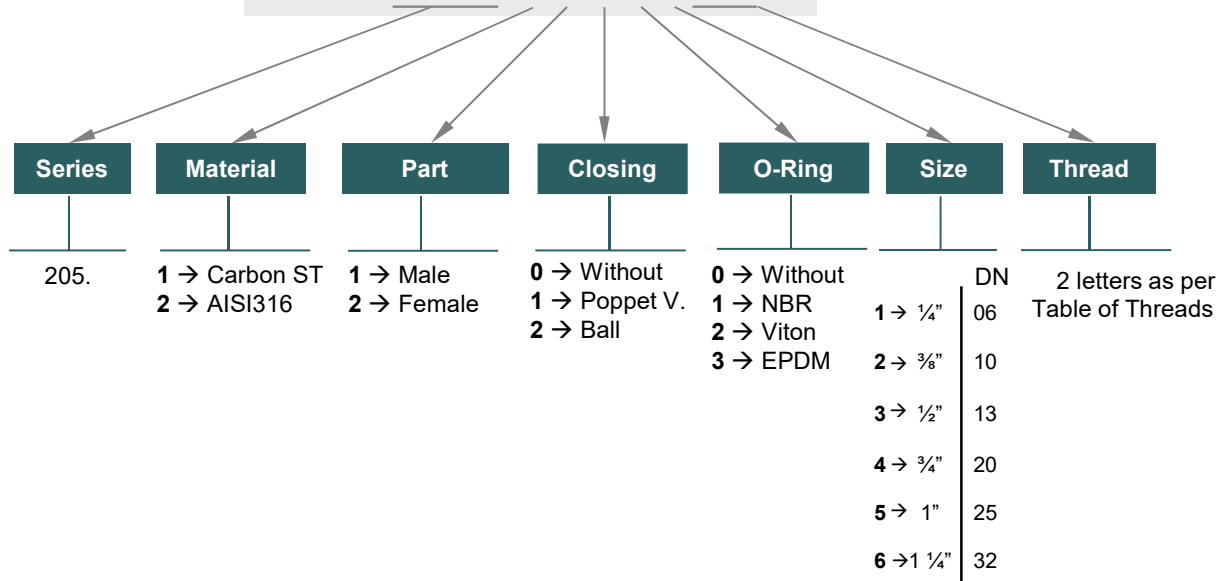
• **Sectors:** Industrial, Agricultural, Construction machinery.



## MODEL STRUCTURE

Example:

# 205.12115 AF



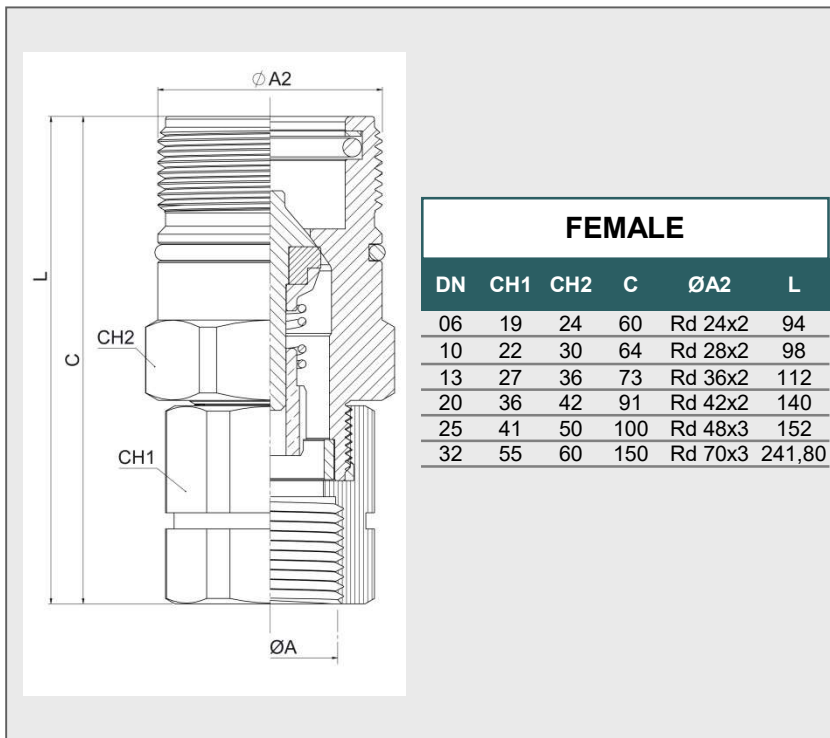
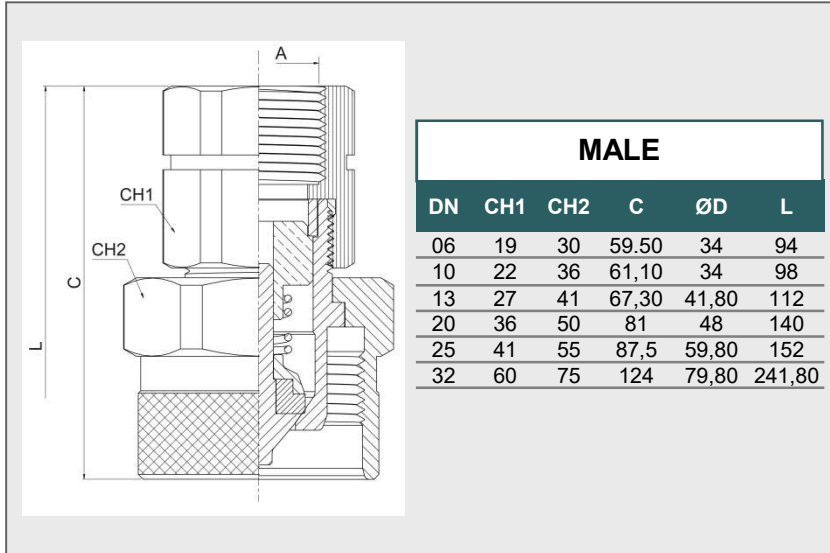
205-1





# 205 SERIES STG

BSP / NPTF  
DIN3852 / SAE



STANDARD MODELS				
DN	ØA	MALE	FEMALE	
06	1/4" BSP	205.11111AB	205.12111AB	450Bar
	1/4" NPTF	205.11111BB	205.12111BB	
	M14x1,5	205.11111NC	205.12111NC	
10	1/4" BSP	205.11112AB	205.12112AB	450Bar
	3/8" BSP	205.11112AC	205.12112AC	
	3/8" NPTF	205.11112BC	205.12112BC	
	M16x1,5	205.11112ND	205.12112ND	
	3/8" BSP	205.11113AC	205.12113AC	
13	1/2" BSP	205.11113AD	205.12113AD	400Bar
	1/2" NPTF	205.11113BD	205.12113BD	
	M18x1,5	205.11113NE	205.12113NE	
	M22x1,5	205.11113NG	205.12113NG	
	3/4" -16ORB	205.11113GF	205.12113GF	
20	3/4" -14ORB	205.11113GH	205.12113GH	400Bar
	3/4" BSP	205.11114AE	205.12114AE	
	3/4" NPTF	205.11114BE	205.12114BE	
	M22x1,5	205.11114NG	205.12114NG	
	3/4" BSP	205.11115AE	205.12115AE	
25	1" BSP	205.11115AF	205.12115AF	300Bar
	1" NPTF	205.11115BF	205.12115BF	
	1 1/4" BSP	205.11116AG	205.12116AG	
32	1 1/4" NPTF	205.11116BG	205.12116BG	410Bar
	1 1/2" BSP	205.11116AH	205.12116AH	
	1 1/2" NPTF	205.11116BH	205.12116BH	



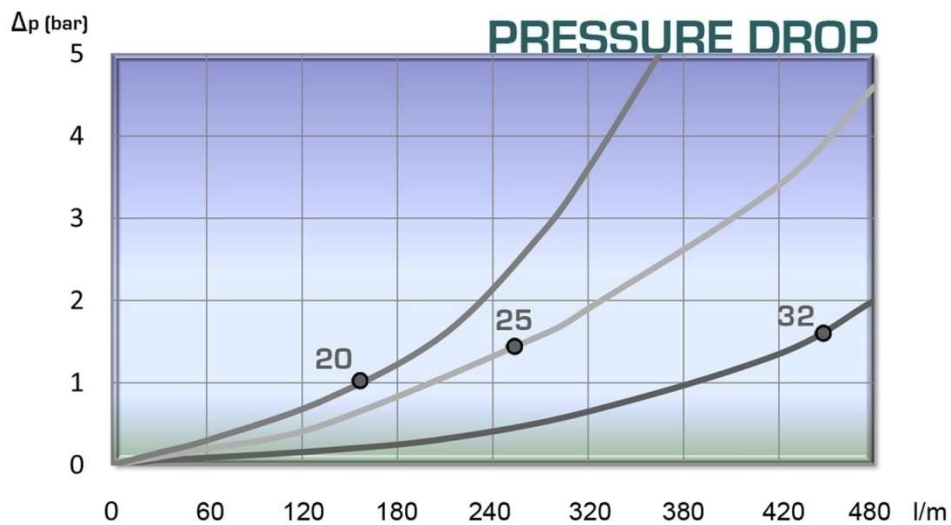
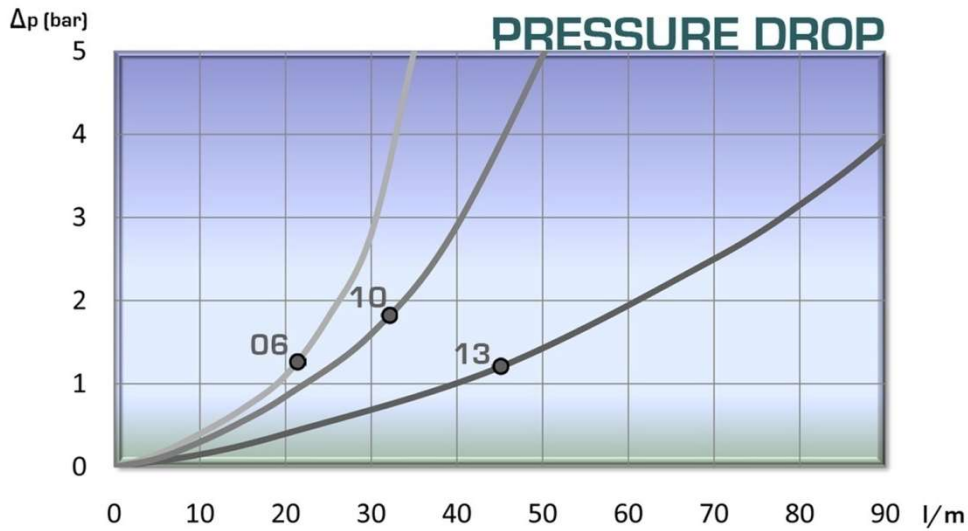
# 205 SERIES STG

BSP / NPTF  
DIN3852 / SAE



## TECHNICAL DATA

DN	Rated Flow	Min Burst Pressure (bar)			Max. Working Pressure*
		Male	Female	Coupled	
06	12 l/m	1580	1500	1800	500 Bar
10	32 l/m	1750	1680	1800	450 Bar
13	75 l/m	1580	1500	1600	400 Bar
20	145 l/m	1520	1400	1600	400 Bar
25	255 l/m	1200	1150	1200	350 Bar
32	440 l/m	1450	1520	1650	410 Bar

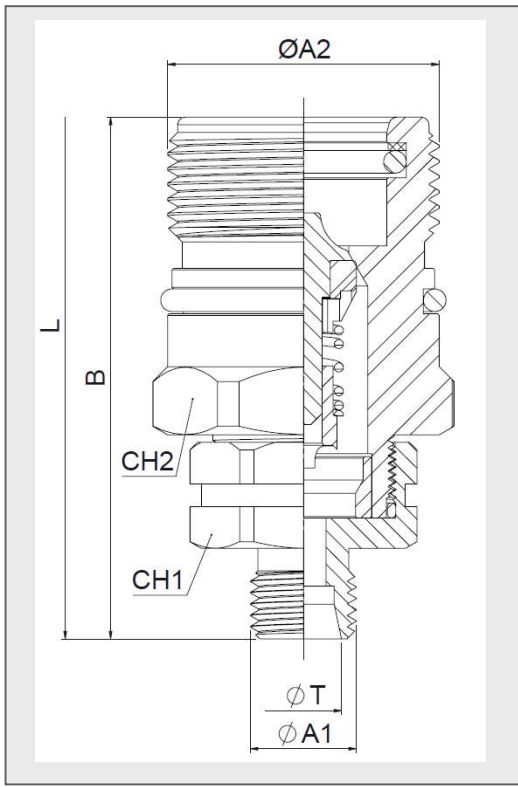
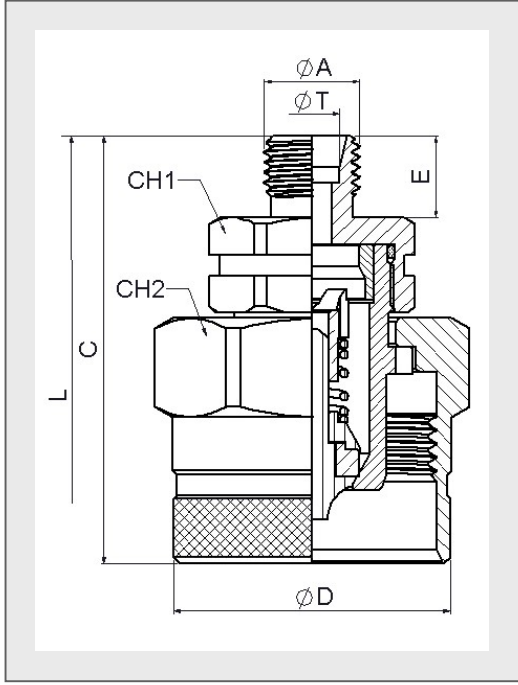


205-3

# 205 SERIES

## STG

DIN2353



### STANDARD MALE MODELS

DN	ØA	ØT	REF.		CH1	CH2	C	ØD	E	L
06	M12x1,5	6L	205.11111JB	450Bar	19	30	49,30	34	12	93,80
	M14x1,5	8L	205.11111JC							
	M18x1,5	12L	205.11112JE							
10	M14x1,5	8L	205.11112JC	450Bar	22	30	60,20	34	12	96
	M16x1,5	10L	205.11112JD							
	M16x1,5	8S	205.11112KD							
	M18x1,5	10S	205.11112KE							
	M20x1,5	12S	205.11112KF							
	M14x1,5	8L	205.11113JC							
13	M16x1,5	10L	205.11113JD	400Bar	27	36	63,50	41,80	12	101
	M18x1,5	12L	205.11113JE							
	M22x1,5	15L	205.11113JG							
	M26x1,5	18L	205.11113JI							
	M18x1,5	10S	205.11113KE							
	M20x1,5	12S	205.11113KF							
	M22x1,5	14S	205.11113KG							
	M24x1,5	16S	205.11113KH							
	M18x1,5	12L	205.11114JE							
	M22x1,5	15L	205.11114JG							
20	M26x1,5	18L	205.11114JI	400Bar	36	41	78	48	18	124
	M30x2	22L	205.11114JJ							
	M22x1,5	14S	205.11114KG							
	M24x1,5	16S	205.11114KH							
	M30x2	20S	205.11114KJ							
	M26x1,5	18L	205.11115JI							
25	M30x2	22L	205.11115JJ	300Bar	41	55	70,50	59,80	18	146
	M36x2	28L	205.11115JK							
	M45x2	35L	205.11115JM							
	M30x2	20S	205.11115KJ							
	M36x2	25S	205.11115KK							
	M42x2	30S	205.11115KL							
	M52x2	38S	205.11115KN							
	M42x2	30S	205.11116KL							
32	M42x2	30S	205.11116KL	410Bar	50	75	143	79,80	20	243,80
	M52x2	38S	205.11116KN							

### STANDARD FEMALE MODELS

DN	ØA	ØT	REF.		CH1	CH2	B	ØA2	E	L
06	M12x1,5	6L	205.12111JB	450Bar	19	22	59	Rd 24x2	12	93,80
	M14x1,5	8L	205.12111JC							
	M18x1,5	12L	205.12112JE							
10	M14x1,5	8L	205.12112JC	450Bar	22	24	63	Rd 28x2	12	96
	M16x1,5	10L	205.12112JD							
	M16x1,5	8S	205.12112KD							
	M18x1,5	10S	205.12112KE							
	M20x1,5	12S	205.12112KF							
	M14x1,5	8L	205.12113JC							
13	M16x1,5	10L	205.12113JD	400Bar	27	32	66	Rd 36x2	12	101
	M18x1,5	12L	205.12113JE							
	M22x1,5	15L	205.12113JG							
	M26x1,5	18L	205.12113JI							
	M18x1,5	10S	205.12113KE							
	M20x1,5	12S	205.12113KF							
	M22x1,5	14S	205.12113KG							
	M24x1,5	16S	205.12113KH							
	M18x1,5	12L	205.12114JE							
	M22x1,5	15L	205.12114JG							
20	M26x1,5	18L	205.12114JI	400Bar	36	36	84	Rd 42x2	18	131
	M30x2	22L	205.12114JJ							
	M22x1,5	14S	205.12114KG							
	M24x1,5	16S	205.12114KH							
	M30x2	20S	205.12114KJ							
	M26x1,5	18L	205.12115JI							
25	M30x2	22L	205.12115JJ	300Bar	41	41	97	Rd 48x3	18	146
	M36x2	28L	205.12115JK							
	M45x2	35L	205.12115JM							
	M30x2	20S	205.12115KJ							
	M36x2	25S	205.12115KK							
	M42x2	30S	205.12115KL							
	M52x2	38S	205.12115KN							
	M42x2	30S	205.12116KL							
32	M42x2	30S	205.12116KL	410Bar	55	60	151	Rd 70x3	20	243,80
	M52x2	38S	205.12116KN							



# 205 SERIES

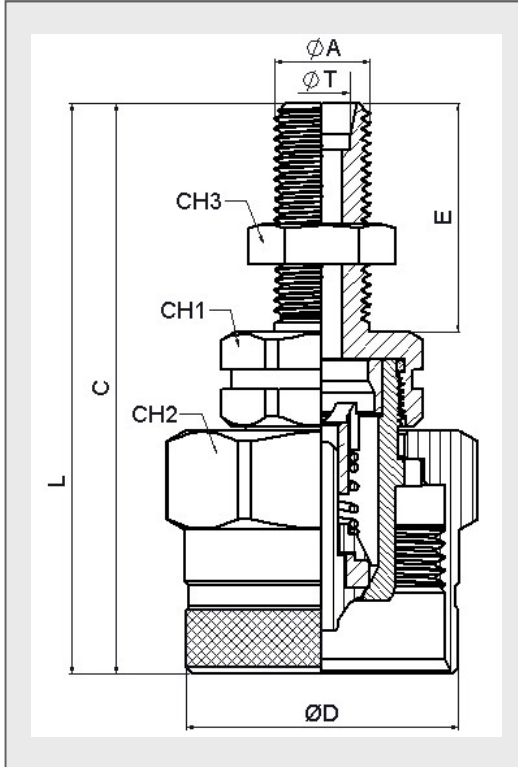
## STG

DIN2353



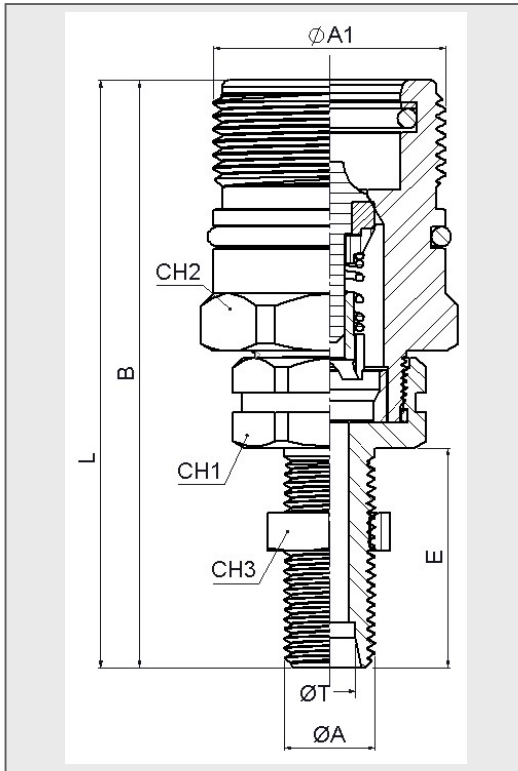
### STANDARD MALE MODELS

DN	ØA	ØT	REF.	450Bar	CH1	CH2	CH3	C	ØD	E	L			
06	M12x1,5	6L	205.11111LB	450Bar	19	30	19	71,30	34	25	128,80			
	M14x1,5	8L	205.11111LC					80,30				34	146,80	
	M14x1,5	8L	205.11112LC									34	151,50	
10	M16x1,5	10L	205.11112LD	450Bar	22	30	22	65,20	34	26	138,20			
	M16x1,5	8S	205.11112MD											
	M18x1,5	10S	205.11112ME											
13	M20x1,5	12S	205.11112MF	400Bar	27	36	30	75,20	41,80	33	157,50			
	M14x1,5	8L	205.11113LC					19				85,50	34	156,50
	M16x1,5	10L	205.11113LD					22				86,50	35	157,50
	M18x1,5	12L	205.11113LE					24				75,50	24	136,50
	M22x1,5	15L	205.11113LG					27						
	M26x1,5	18L	205.11113LI					30				86,50	33	157,50
	M18x1,5	10S	205.11113ME					24				75,50	24	136,50
	M20x1,5	12S	205.11113MF					22						
	M22x1,5	14S	205.11113MG					27				86,50	35	157,50
	M24x1,5	16S	205.11113MH					30						
20	M18x1,5	12I	205.11114LE	400Bar	36	41	30	86	48	26	157			
	M22x1,5	15L	205.11114LG					27				93	33	171
	M26x1,5	18L	205.11114LI					30						
	M30x2	22L	205.11114LJ					36				94	34	173
	M24x1,5	16S	205.11114MH					30				89	29	173
	M30x2	20S	205.11114MJ					36				96	36	163
	M26x1,5	18L	205.11115LI					30				99,50	33	185,50
	M30x2	22L	205.11115LJ					36				100,50	34	187,50
	M36x2	28L	205.11115LK					41						
	25	M45x2	35L					205.11115LM				300Bar	41	55
M30x2		20S	205.11115MJ	36	101,50	35	189,50							
M36x2		25S	205.11115MK	41	104,50	38	195,50							
M42x2		30S	205.11115ML	50		40	199,50							
M52x2		38S	205.11115MN	65	106,50	40	199,50							
M42x2		30S	205.11116ML	50		40	284							



### STANDARD FEMALE MODELS

DN	ØA	ØT	REF.	450Bar	CH1	E/C	CH3	B	ØA1	E	L			
06	M12x1,5	6L	205.12111LB	450Bar	19	22	19	72	Rd 24x2	25	128,80			
	M14x1,5	8L	205.12111LC					81				34	146,80	
	M14x1,5	8L	205.12112LC					19				85	34	151,50
10	M16x1,5	10L	205.12112LD	450Bar	22	24	22	77	Rd 28x2	26	127,50			
	M16x1,5	8S	205.12112MD											
	M18x1,5	10S	205.12112ME					24				780	27	138,20
13	M20x1,5	12S	205.12112MF	400Bar	27	32	30	89	Rd36x2	35	157,50			
	M14x1,5	8L	205.12113LC					19				88	34	156,50
	M16x1,5	10L	205.12113LD					22				89	35	157,50
	M18x1,5	12L	205.12113LE					24				78	24	136,50
	M22x1,5	15L	205.12113LG					27						
	M26x1,5	18L	205.12113LI					30				89	35	157,50
	M18x1,5	10S	205.12113ME					24				78	24	136,50
	M20x1,5	12S	205.12113MF					22						
	M22x1,5	14S	205.12113MG					27				88	35	157,50
	M24x1,5	16S	205.12113MH					30						
20	M18x1,5	12I	205.12114LE	400Bar	36	36	30	92	Rd 42x2	26	157			
	M22x1,5	15L	205.12114LG					27				93	33	171
	M26x1,5	18L	205.12114LI					30						
	M30x2	22L	205.12114LJ					36				99	34	173
	M24x1,5	16S	205.12114MH					30				100	29	173
	M30x2	20S	205.12114MJ					36				95	36	163
	M26x1,5	18L	205.12115LI					30				112	33	185,50
	M30x2	22L	205.12115LJ					36				113	34	187,50
	M36x2	28L	205.12115LK					41						
	25	M45x2	35L					205.12115LM				300Bar	41	41
M30x2		20S	205.12115MJ	36	114	35	189,50							
M36x2		25S	205.12115MK	41	117	38	195,50							
M42x2		30S	205.12115ML	50	119	40	199,50							
M52x2		38S	205.12115MN	65		40	199,50							
M42x2		30S	205.12116ML	50	171	40	284							



205-5





# 205 SERIES STG

PLUGS  
& CAPS

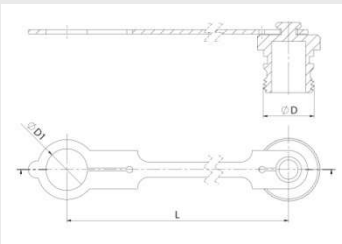
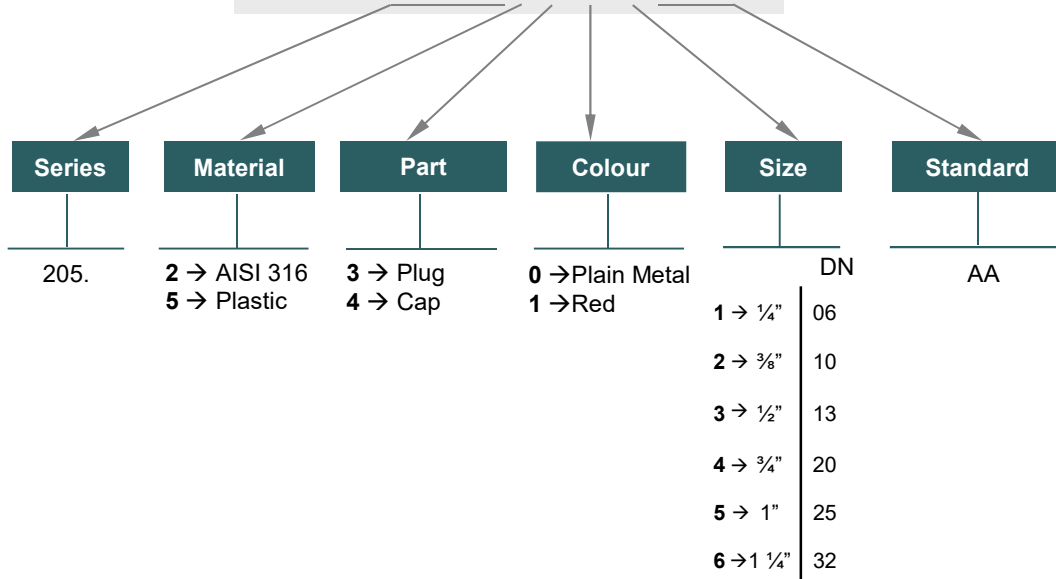


STG SERIES PLUGS, CAPS and have been designed to protect FEMALE (coupler) or MALE (nipple) parts while they are disconnected.

## MODEL STRUCTURE

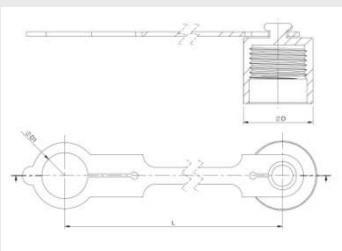
Example:

### 205.5414 AA



### PLUG

DN	REF.	ØD	ØD1	L
06	205.5311AA	Rd 24x2	20	90
10	205.5312AA	Rd 28x2	24	100
13	205.5313AA	Rd 36x2	29,50	135
20	205.5314AA	Rd 42x2	37	187
25	205.5315AA	Rd 48x3	41	145
32	205.5316AA	Rd 70x3	55	200



### CAP

DN	REF.	ØD	ØD1	L
06	205.5411AA	Rd 24x2	20	90
10	205.5412AA	Rd 28x2	24	100
13	205.5413AA	Rd 36x2	29,50	135
20	205.5414AA	Rd 42x2	37	187
25	205.5415AA	Rd 48x3	41	145
32	205.5416AA	Rd 70x3	55	200