



125 SERIES TFH



Poppet valve or CURP closing system
 BSPT, NPTF DIN2353, DIN 3852, SAE/ORB and other threads upon request
 AISI 316 available only by minimum quantities

• **Materials**

Carbon Steel EN -10277-3 / AISI 316L/ Brass

Seals: NBR, Viton or EPDM

Back-up-ring: PTFE

Balls: AISI 1010/1015

Springs: Carbon Steel DIN 17233/84(B)

• **Working temperature (Seals)**

	NBR	Viton	EPDM
+	+100°C	+200°C	+150°C
-	-30°C	-10°C	-40°C

• **Sectors:** Industrial



• **Applications:** Designed for Oil hydraulic Applications according to European Directive 97.23.EC

• **Equivalence**

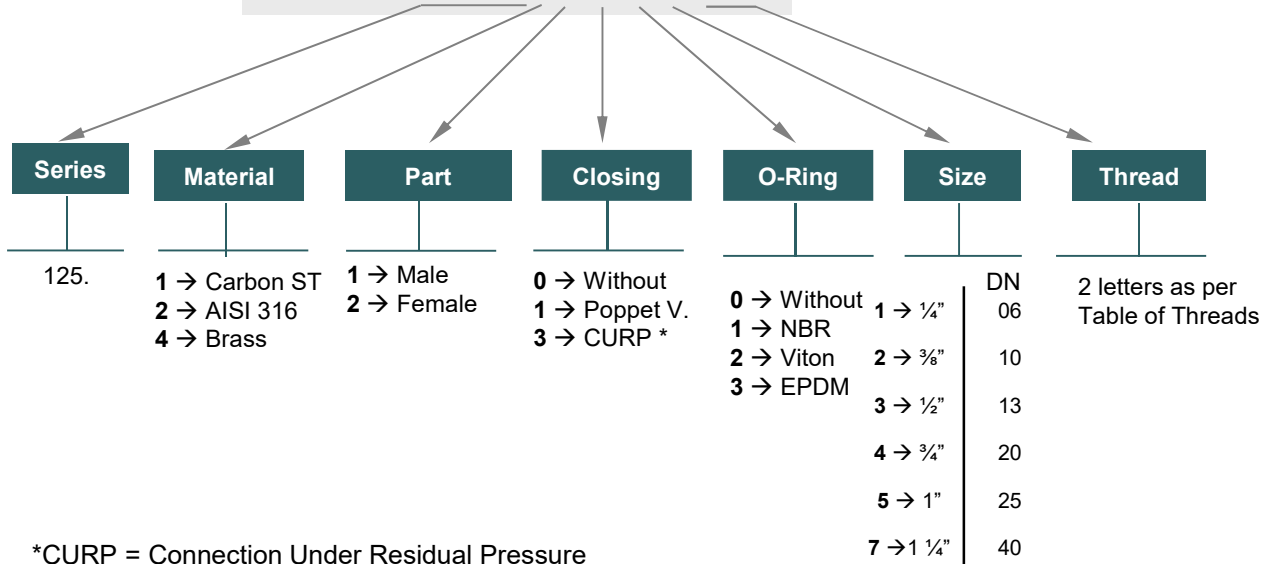
RECTUS TEMA T-Series

CEJN Series 525

MODEL STRUCTURE

Example:

125.12312 AC



*CURP = Connection Under Residual Pressure
 CURP closing system not available in DN06 models.

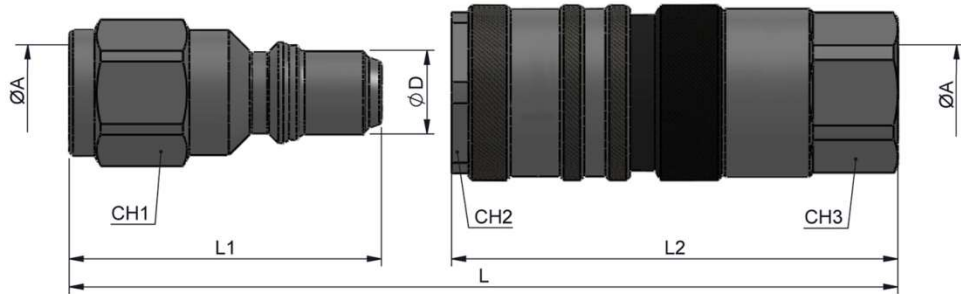


125 SERIES TFH

Carbon Steel



1/4" DN06 (CURP not available)



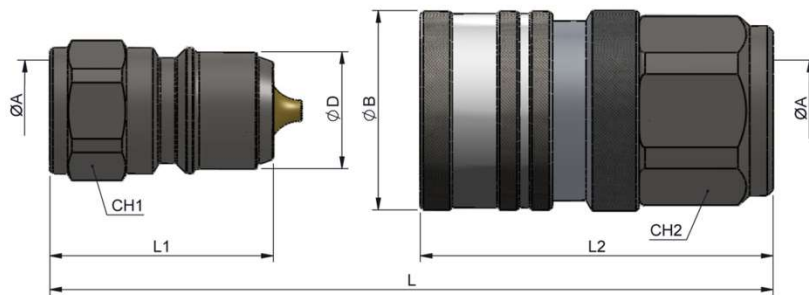
STANDARD MALE MODELS

STANDARD FEMALE MODELS

DN	ØA	REF.		CH1	ØD	L1	L
06	1/4" BSP	125.11111AB 450Bar		19	11.9	45	81

DN	ØA	REF.		CH2	CH3	L2	L
06	1/4" BSP	125.12111AB 450Bar		22	21	64	81

3/8" DN10



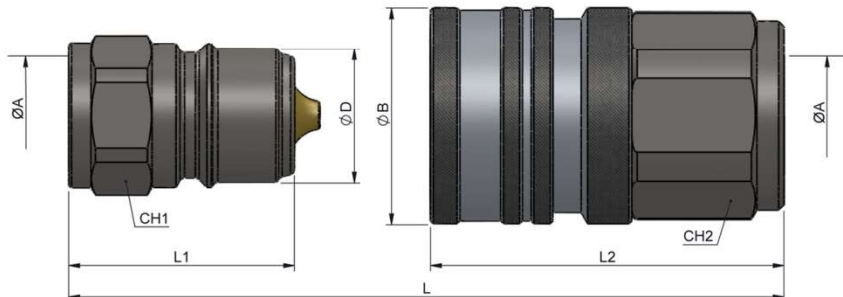
STANDARD MALE MODELS

STANDARD FEMALE MODELS

DN	ØA	REF.		CH1	ØD	L1	L
10	3/8" BSP	125.11112AC 350Bar		22	19.85	38	74

DN	ØA	REF.		CH2	ØB	L2	L
10	3/8" BSP	125.12112AC 350Bar		30	34	60	74

1/2" DN13



STANDARD MALE MODELS

STANDARD FEMALE MODELS

DN	ØA	REF.		CH1	ØD	L1	L
13	1/2" BSP	125.11113AD 300Bar		27	24.7	41.5	82

DN	ØA	REF.		CH2	ØB	L2	L
13	1/2" BSP	125.12113AD 300Bar		36	40	65	82

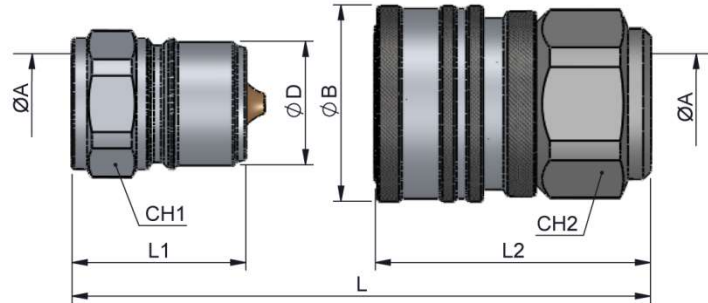


125 SERIES TFH

Carbon Steel



3/4" DN20



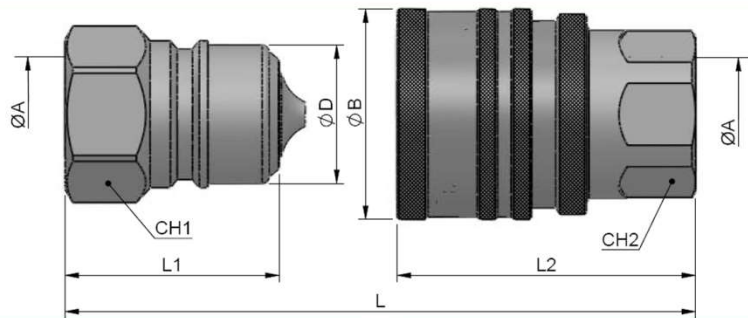
STANDARD MALE MODELS

STANDARD FEMALE MODELS

DN	ØA	REF.		CH1	ØD	L1	L
20	3/4" BSP	125.11114AE 280Bar		36	32.7	46	91

DN	ØA	REF.		CH2	ØB	L2	L
20	3/4" BSP	125.12114AE 280Bar		46	52	72	91

1" DN25



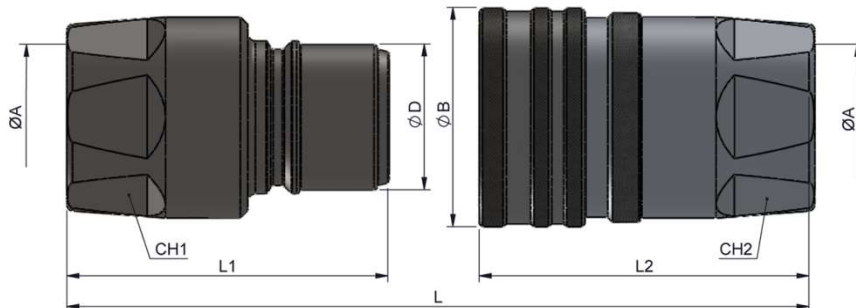
STANDARD MALE MODELS

STANDARD FEMALE MODELS

DN	ØA	REF.		CH1	ØD	L1	L
25	1" BSP	125.11115AF 250Bar		46	40.8	63	115.4

DN	ØA	REF.		CH2	ØB	L2	L
25	1" BSP	125.12115AF 250Bar		46	62	88	115.4

1 1/2" DN40



STANDARD MALE MODELS

STANDARD FEMALE MODELS

DN	ØA	REF.		CH1	ØD	L1	L
40	1 1/2" BSP	125.11117AH 200Bar		60	48.5	107	173

DN	ØA	REF.		CH2	ØB	L2	L
40	1 1/2" BSP	125.12117AH 200Bar		60	73	112	173

125-3



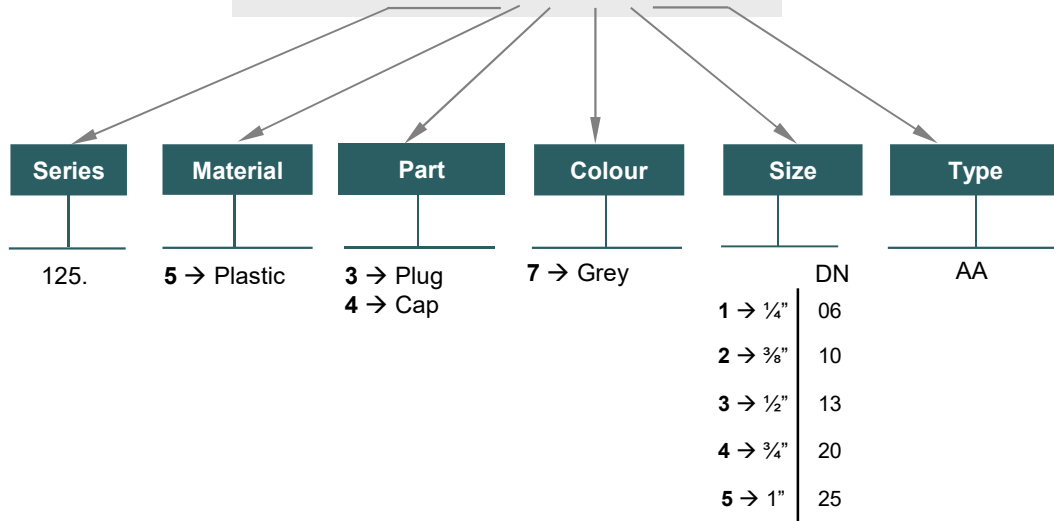
125 SERIES TFH PLUGS & CAPS





TFH SERIES PLUGS / CAPS have been designed to protect FEMALE (coupler) and MALE (nipple) parts while they are disconnected.

Example:

125.5372 AA



Plug for Female Part		
REF.	DN	Colour
125.5371AA	06	Grey
125.5372AA	10	Grey
125.5373AA	13	Grey
125.5374AA	20	Grey
125.5375AA	25	Grey

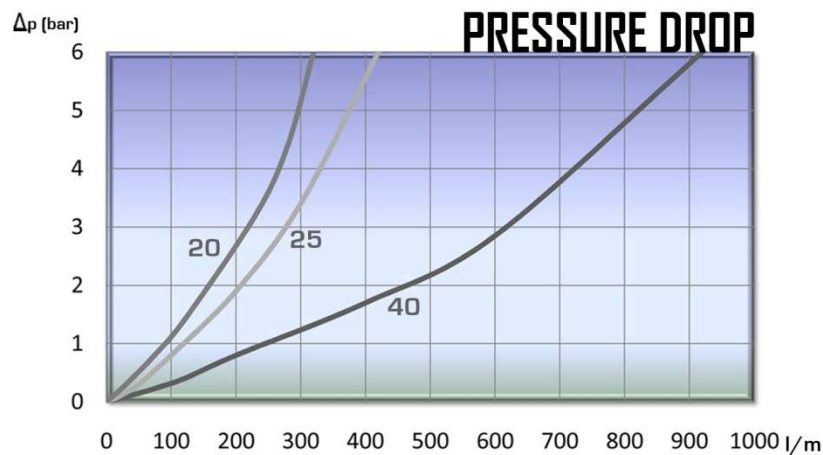
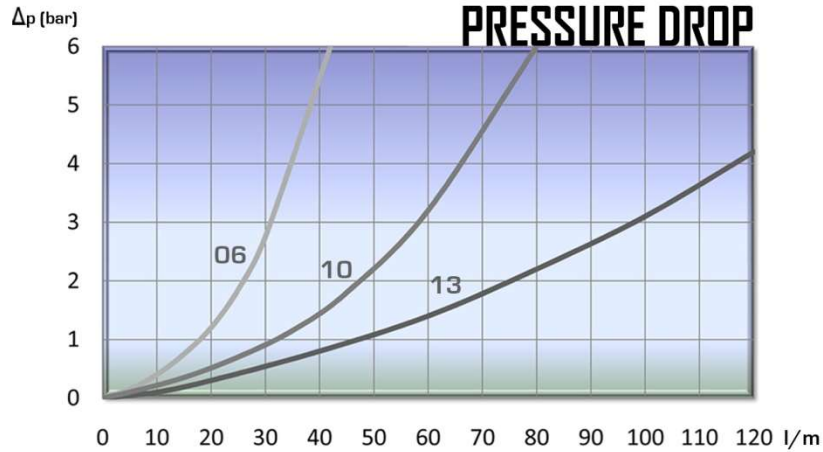
Cap for Male Part		
REF.	DN	Colour
125.5471AA	06	Grey
125.5472AA	10	Grey
125.5473AA	13	Grey
125.5474AA	20	Grey
125.5475AA	25	Grey



125 SERIES TFH



GRAPHICS



TECHNICAL DATA

DN	Min Burst Pressure (bar)			Max. Working Pressure*
	Male	Female	Coupled	
06	1650	1700	1800	450 Bar
10	1320	1400	1400	350 Bar
13	1100	1200	1200	300 Bar
20	1050	1100	1120	280 Bar
25	980	1050	1000	250 Bar
40	750	780	800	200 Bar

Test performed according to ISO 18869

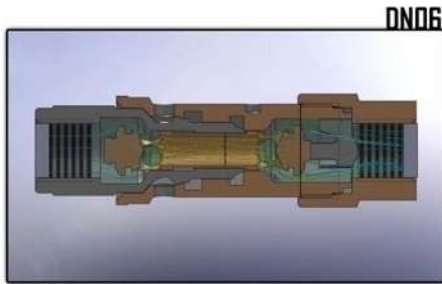
125-5



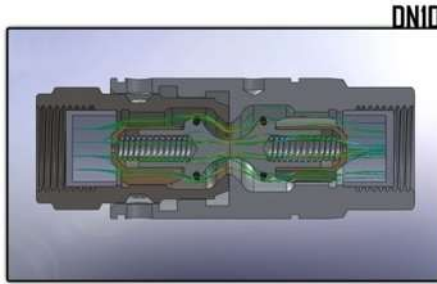
125 SERIES TFH



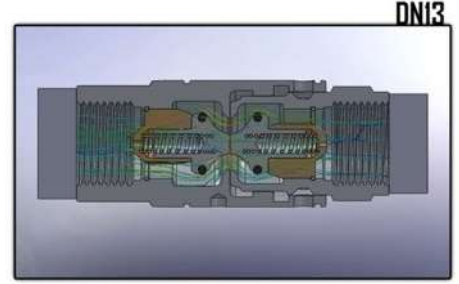
COSMOS FLOW



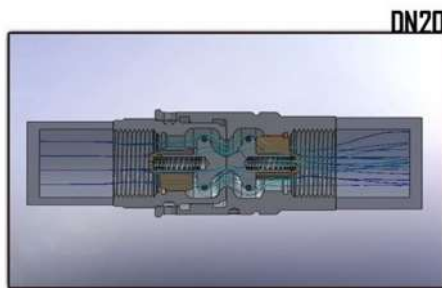
DN06



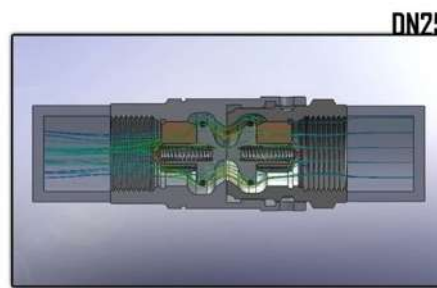
DN10



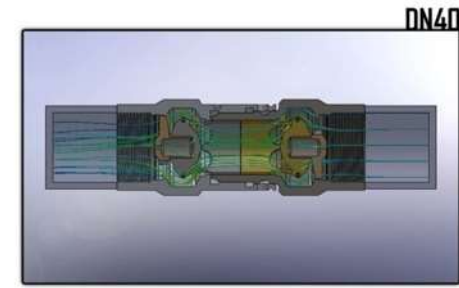
DN13



DN20

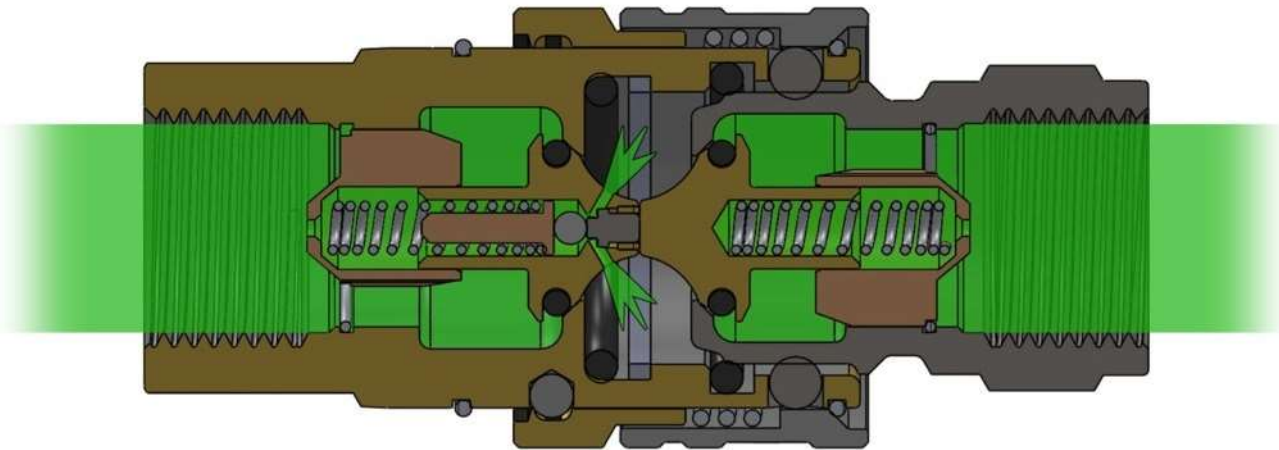


DN25



DN40

CURP CLOSING SYSTEM



This system allows an easy connection under residual pressure.

125-6