

452 SERIES

V2CR BSP / NPTF SAE /
ORB DIN2353



Calibrated steel manufacturing.
With bulkhead thread and nut to assembly in panels
Thread combination available upon request of minimum quantities.

• Materials

Carbon Steel EN -10277-3

Seals: NBR, Viton or EPDM

Seating Ball: P.O.M (Delrin®)

Handle: ZAMAK-5

- **Applications:** Designed for Oil hydraulic Applications according to European Directive 97.23.EC Hammer Application

• Equivalence

INTEVA STANDARD

• Working temperature (Seals)

	NBR	Viton	EPDM
+	+100°C	+200°C	+150°C
-	-30°C	-10°C	-40°C

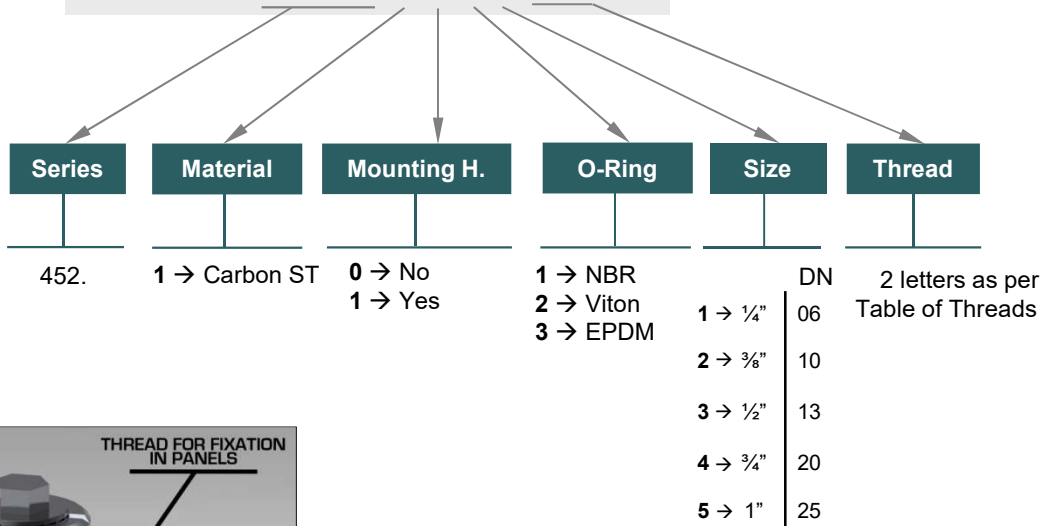
- **Sectors:** Industrial, Agricultural.



MODEL STRUCTURE

Example:

452.1112 AC



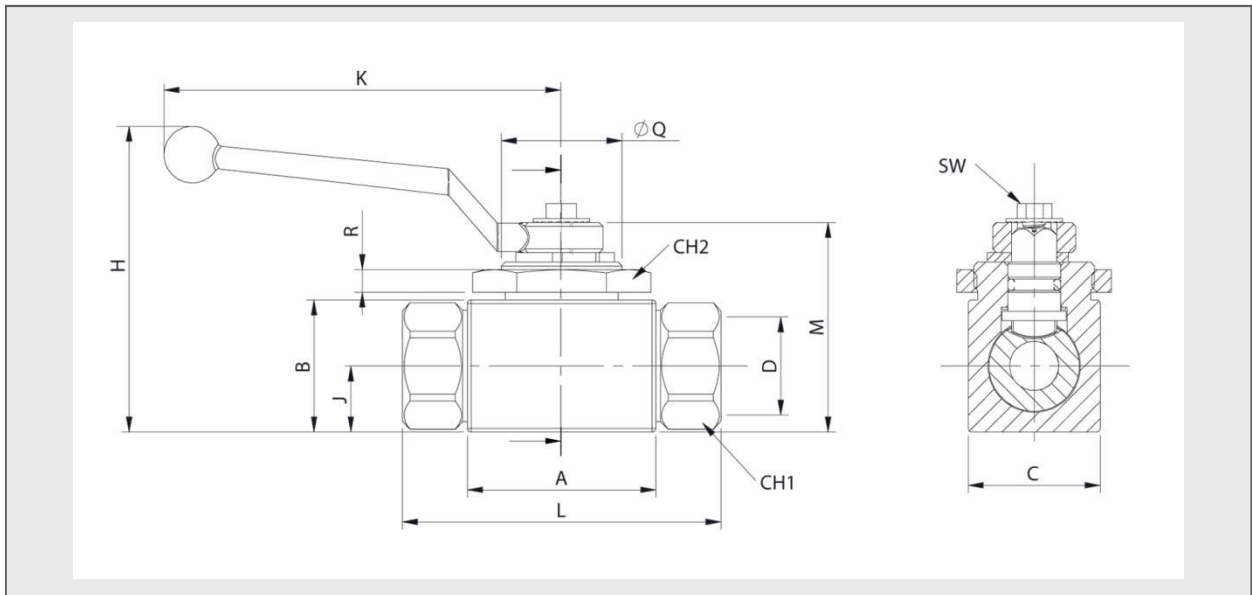
452-1





452 SERIES

V2CR BSP / NPTF SAE /
ORB DIN2353



STANDARD MODELS

DN	D	REF.		CH1	CH2	L	A	B	M	K	H	J	C	SW	R	ØQ
06	1/4" BSP	452.1011AB	500Bar	22	30		40	35	45,50	105,50	71	13	26	8,90	6	M32x1,5
	1/4" NPTF	452.1011BB				72,60										
	7/16" -12ORB	452.1011GA				78,60										
	M12x1,5 6L	452.1011JB				79,60										
	M14x1,5 8L	452.1011JC														
10	M16x1,5 10L	452.1011JD		27	41		45	40	50,50	105,50	76	16	32	8,90	6	M32x1,5
	M16x1,5 8S	452.1011KD	75,40													
	3/8" BSP	452.1012AC	77,40													
	3/8" NPTF	452.1012BC	79,40													
	9/16" -18ORB	452.1012GC														
13	M18x1,5 12L	452.1012JE	500Bar	30	41		50	45	55,50	105,50	81	17,50	35	8,90	6	M32x1,5
	M22x1,5 15L	452.1012JG				84,50										
	M20x1,5 12S	452.1012KF				92,50										
	M22x1,5 14S	452.1012KG														
	1/2" BSP	452.1013AD														
20	1/2" NPTF	452.1013BD	400Bar	41	50		60	58	73	159,50	108	23	50	13,90	6	M45x1,5
	3/4" -16ORB	452.1013BF				93,40										
	M30x2 22L	452.1014JJ				108,40										
	M30x2 20S	452.1014KJ				114,40										
	M36x2 25S	452.1014KK														
25	1" BSP	452.1015AF	350Bar	46	50		65	65	80	159,50	115	27,50	57	13,90	6	M45x1,5
	1" NPTF	452.1015BF				114,50										
	1 2/16" -12ORB	452.1015GO				113,50										
	M36x2 28L	452.1015JK														