

402 SERIES

V2RH BSP / NPTF
ORB/ SAE




Calibrated steel manufacturing.
Available with or without mounting holes.
Thread combination available upon request of minimum quantities.

- **Materials**

Carbon Steel *EN -10277-3*
Seals: NBR, Viton or EPDM
Seating Ball: Poliamida 6.
Handle: ZAMAK-5

- **Working temperature (O-ring)**

	NBR	Viton	EPDM
	+100°C	+200°C	+150°C
	-30°C	-10°C	-40°C

- **Applications:** Designed for Oil hydraulic Applications

- **Sectors:** Industrial, Agricultural.



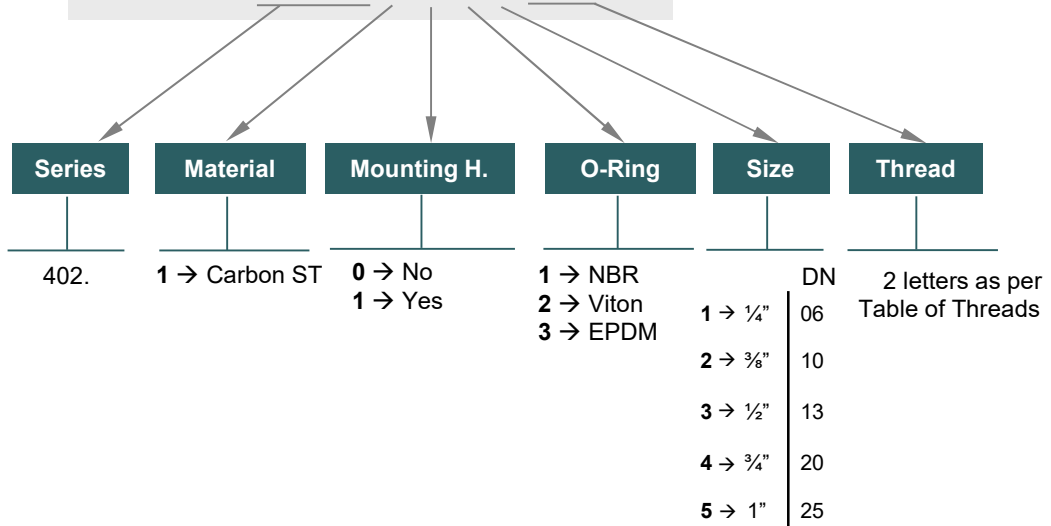
- **Equivalence**

PISTER BKH
MHA BKH
HYDAC KHB
DMIC DVH

MODEL STRUCTURE

Example:

402.1015 AF

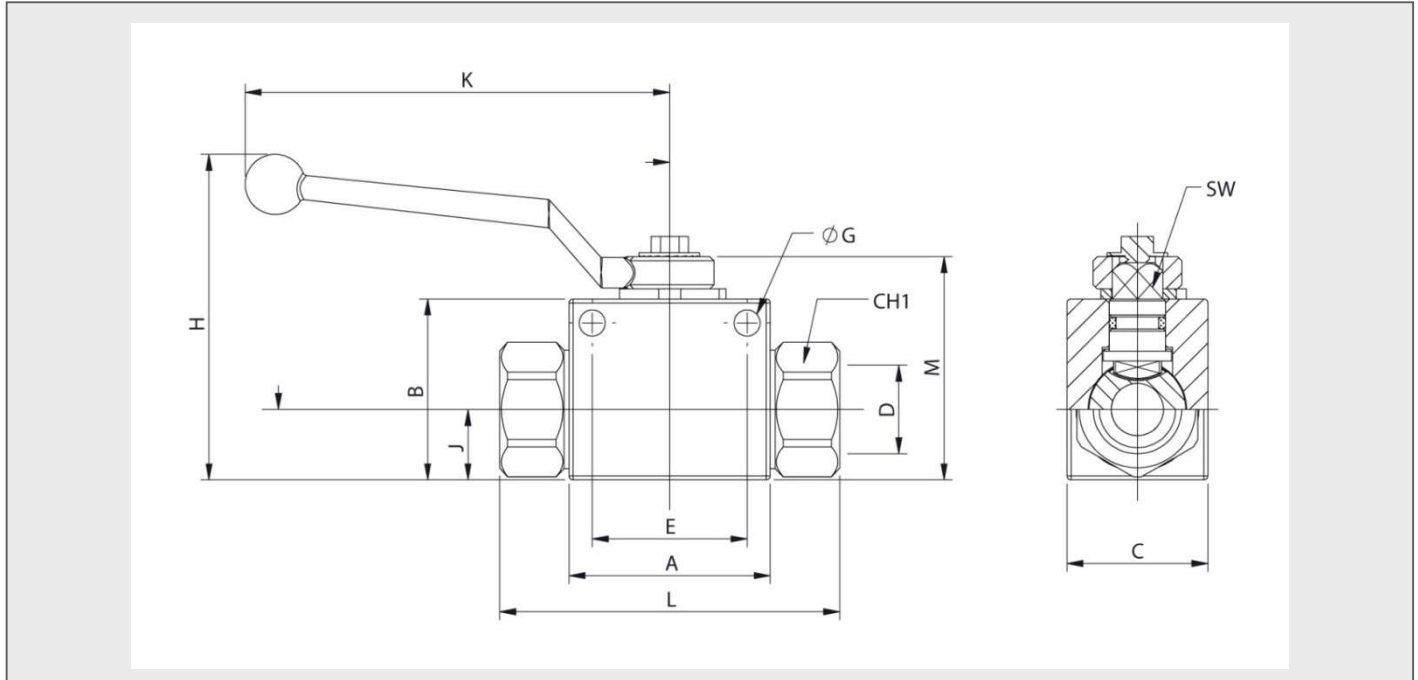


402-1



402 SERIES

V2RH BSP / NPTF
ORB/ SAE



STANDARD MODELS

DN	D	With M.H.	Without M.H.		CH1	L	A	B	M	K	H	J	C	SW	G	E	
06	1/4" BSP	402.1111AB	402.1011AB	500Bar	22	72,60	40	35	45,50	105,50	71	13	26	8,90	4,50	31,50	
	1/4" NPTF	402.1111BB	402.1011.BB														
	7/16"-20h UNF(ORB)	402.1111GA	402.1011GA														
10	3/8" BSP	402.1112AC	402.1012AC		27	75,40	45	40	50,50	105,50	76	16	32	8,90	5,20	31,50	
	3/8" NPTF	402.1112BC	402.1012BC														
	9/16"-18h UNF(ORB)	402.1112GC	402.1012GC														
13	1/2" BSP	402.1113AD	402.1013AD		30	84,50	50	45	55,50	105,50	81	17,50	35	8,90	6,50	38,50	
	1/2" NPTF	402.1113BD	402.1013BD														
	3/4" - 16h UNF(ORB)	402.1113GF	402.1013GF														
20	3/4" BSP	402.1114AE	402.1014AE		41	93,20	60	58	73	159,50	108	23	50	13,90	6,50	48,50	
	3/4" NPTF	402.1114BE	402.1014BE														
	1 1/16"-12h UN(ORB)	402.1114GK	402.1014GK														
25	1" BSP	402.1115AF	402.1015AF		350Bar	46	114,50	65	65	80	159,50	115	27,50	57	13,90	8,50	50,50
	1" NPTF	402.1115BF	402.1015BF			46	114,50										
	1 1/4" BSP	402.1115AG	402.1015AG			50	136,50										
	1 1/4" NPTF	402.1115BG	402.1015BG	50		136,50											
	1 1/2" BSP	402.1115AH	402.1015AH	55		146,50											
	1 1/2" NPTF	402.1115BH	402.1015BH	55		146,50											
	1 5/16"- 12ORB	402.1115GO	402.1015GO	46		114,50											

402-2



402 SERIES

V2MT DIN 2353



Calibrated steel manufacturing.
Available with or without mounting holes.
Thread combination available upon request of minimum quantities.

• Materials

Carbon Steel *EN -10277-3*

Seals: **NBR, Viton or EPDM**

Seating Ball: *Poliamida 6*.

Handle: **ZAMAK-5**

• Working temperature (O-ring)

	NBR	Viton	EPDM
	+100°C	+200°C	+150°C
	-30°C	-10°C	-40°C

• **Applications:** Designed for Oil hydraulic Applications

• Equivalence

PISTER BKH

MHA BKH

HYDAC KHB

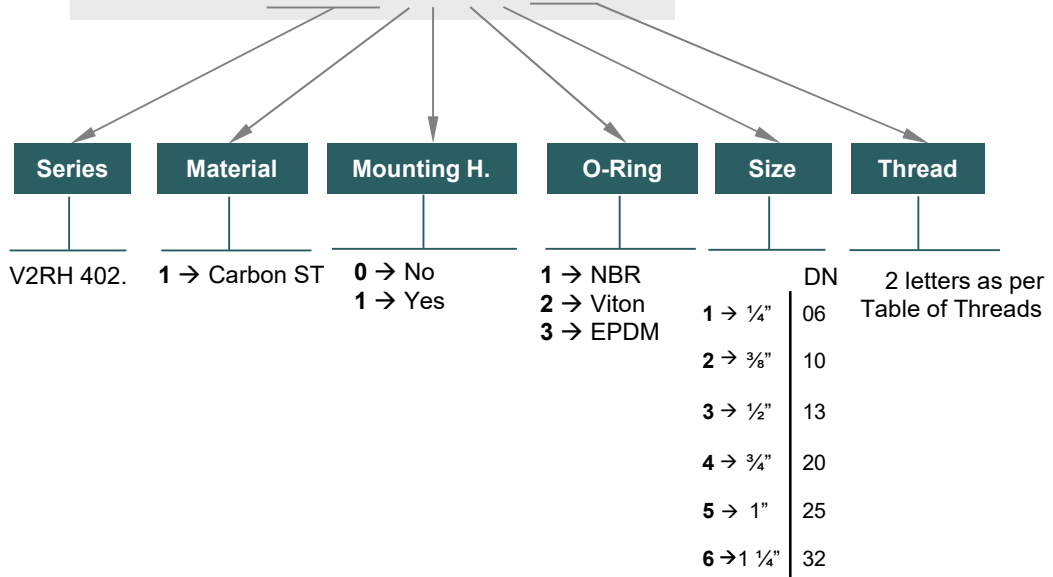
• **Sectors:** Industrial, Agricultural.



MODEL STRUCTURE

Example:

402.1113 JG

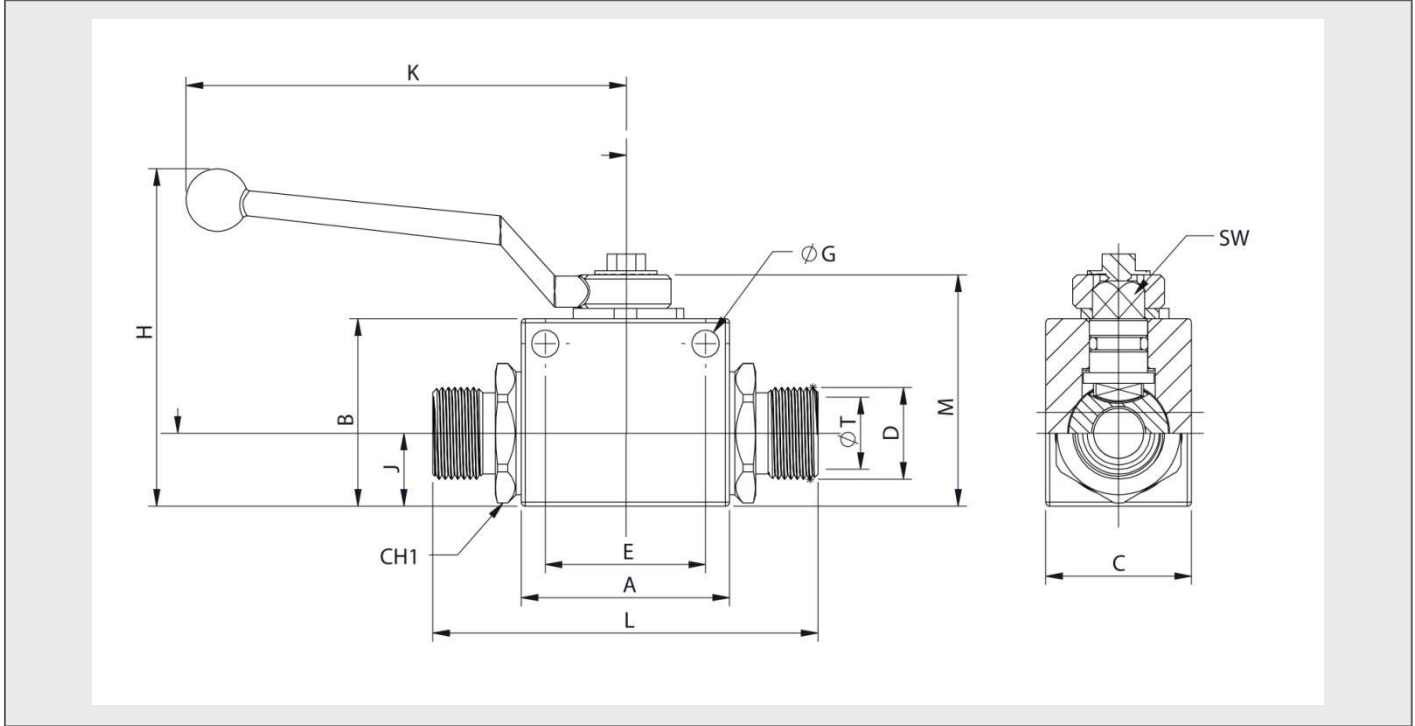


402-3




402 SERIES

V2MT DIN 2353



STANDARD MODELS

DN	D	ØT	With M.H.	Without M.H.		CH1	L	A	B	M	K	H	J	C	SW	ØG	E
06	M12x1,5	6L	402.1111JB	402.1011JB			78,60										
	M14x1,5	8L	402.1111JC	402.1011JC		22	79,60	40	35	45,50	105,50	71	13	26	8,90	4,50	31,50
	M16x1,5	8S	402.1111KD	402.1011KD													
	M18x1,5	10S	402.1111KE	402.1011KE													
	M16x1,5	10L	402.1112JD	402.1012JD			77,40										
10	M18x1,5	12L	402.1112JE	402.1012JE													
	M22x1,5	15L	402.1112JG	402.1012JG	500Bar	27	79,40	45	35	50,50	105,50	76	16	32	8,90	5,20	31,50
	M20x1,5	12S	402.1112KF	402.1012KF													
	M22x1,5	14S	402.1112KG	402.1012KG													
	M22x1,5	15L	402.1113JG	402.1013JG													
13	M26x1,5	18L	402.1113JI	402.1013JI		30	92,50	50	45	55,50	105,50	81	17,50	35	8,90	6,50	38,50
	M24x1,5	16S	402.1113KH	402.1013KH													
	M30x2	20S	402.1113KJ	402.1013KJ													
20	M30x2	22L	402.1114JJ	402.1014JJ													
	M30x2	20S	402.1114KJ	402.1014KJ	400Bar	41	108,40	60	58	73	159,50	108	23	50	13,90	6,50	48,50
	M36x2	25S	402.1114KK	402.1014KK			114,40										
25	M36x2	28L	402.1115JK	402.1015JK			113,50	65	65	80	159,50	115	27,50	57	13,90	8,50	50,50
	M42x2	30S	402.1115KL	402.1015KL	350Bar	46	128,50										