

402 SERIES

V2RH

BSP / NPTF
ORB/ SAE



Calibrated steel manufacturing.
Available with or without mounting holes.
Thread combination available upon request of minimum quantities.

• Materials

Carbon Steel EN -10277-3

Seals: NBR, Viton or EPDM

Seating Ball: P.O.M (Delrin®)

Handle: ZAMAK-5

• Working temperature (Seals)

	NBR	Viton	EPDM
+	+100°C	+200°C	+150°C
-	-30°C	-10°C	-40°C

- **Applications:** Designed for Oil hydraulic Applications according to European Directive 97.23.EC Hammer Application

- **Sectors:** Industrial, Agricultural.



• Equivalence

PISTER BKH

MHA BKH

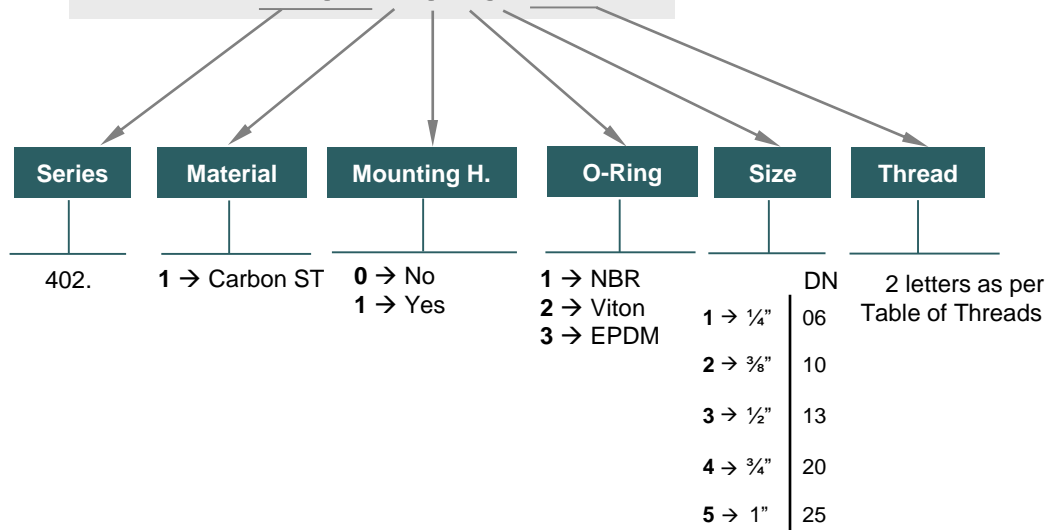
HYDAC KHB

DMIC DVH

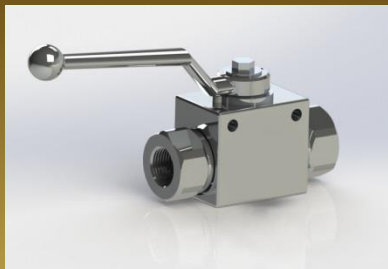
MODEL STRUCTURE

Example:

402.1015 AF

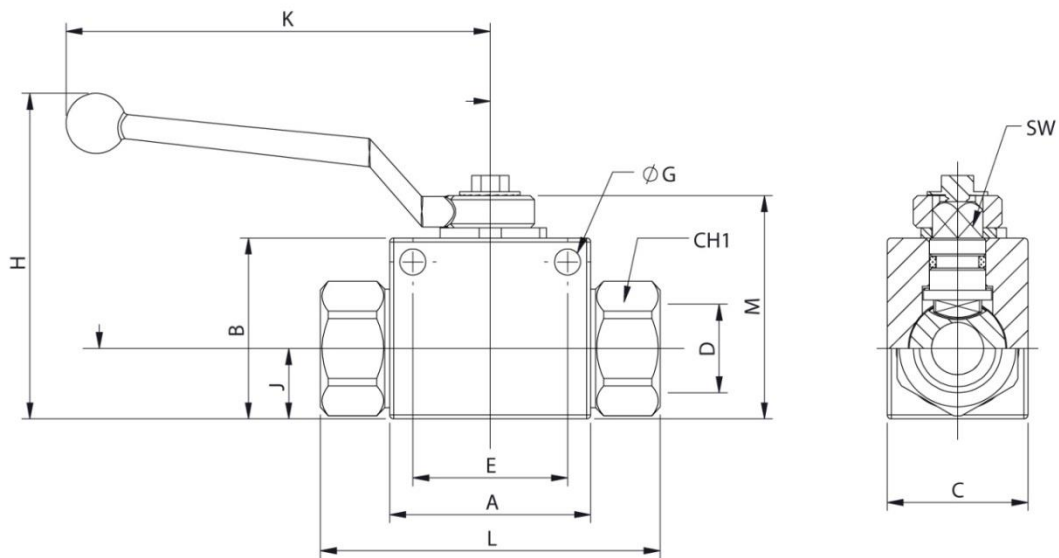


402-1



402 SERIES

V2RH BSP / NPTF
ORB/ SAE



STANDARD MODELS

DN	D	With M.H.	Without M.H.		CH1	L	A	B	M	K	H	J	C	SW	G	E	
06	1/4" BSP	402.1111AB	402.1011AB	500Bar	22	72,60	40	35	45,50	105,50	71	13	26	8,90	4,50	31,50	
	1/4" NPTF	402.1111BB	402.1011BB														
	7/16"-20h UNF(ORB)	402.1111GA	402.1011GA														
10	3/8" BSP	402.1112AC	402.1012AC		27	75,40	45	40	50,50	105,50	76	16	32	8,90	5,20	31,50	
	3/8" NPTF	402.1112BC	402.1012BC														
	9/16"-18h UNF(ORB)	402.1112GC	402.1012GC														
13	1/2" BSP	402.1113AD	402.1013AD		30	84,50	50	45	55,50	105,50	81	17,50	35	8,90	6,50	38,50	
	1/2" NPTF	402.1113BD	402.1013BD														
	3/4" - 16h UNF(ORB)	402.1113GF	402.1013GF														
20	3/4" BSP	402.1114AE	402.1014AE		41	93,20	60	58	73	159,50	108	23	50	13,90	6,50	48,50	
	3/4" NPTF	402.1114BE	402.1014BE														
	1 1/16"-12h UN(ORB)	402.1114GK	402.1014GK														
25	1" BSP	402.1115AF	402.1015AF		350Bar	46	114,50	65	65	80	159,50	115	27,50	57	13,90	8,50	50,50
	1" NPTF	402.1115BF	402.1015BF			46	114,50										
	1 1/4" BSP	402.1115AG	402.1015AG			50	136,50										
	1 1/4" NPTF	402.1115BG	402.1015BG	50		136,50											
	1 1/2" BSP	402.1115AH	402.1015AH	55		146,50											
	1 1/2" NPTF	402.1115BH	402.1015BH	55		146,50											
	1 5/16"- 12ORB	402.1115GO	402.1015GO	46		114,50											

402-2