



505 SERIES ATR

ANTI-RETURN VALVES
THREAD MALE - FEMALE

TECHNICAL SPECIFICATIONS

Features: Designed to avoid the return of the fluid inside the circuit.
Metal Closure (without O-ring): Steel construction without seals or other components to wear out.
High resistance to pressure peaks.
5 psi standard opening pressure. Other opening pressures on request.

Available Size: 1/8" a 2"

Operating pressure: Up to 300 Bar

Materials: Body: Carbon Steel EN 10277-3
AISI 316

O-rings: NBR / VITON / EPDM

Springs: EN 10270-3/-1/SH

Available Threads: BSP*

Closing System: Poppet (without o-ring) / Available with O-rings

Applications: Designed for oil hydraulic (Group II- 2014/68/EU)

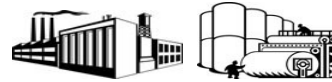
Interchangeable: GROMELLE 4000 / DMIC CVH
PARKER DC / SNAP TITE CPIFF

Working Temperature (O-rings)

	NBR	Viton	EPDM
+	+100°C	+200°C	+150°C
-	-30°C	-10°C	-40°C

Sectors:

Carbon Steel → Industrial



Stainless Steel → Industrial / Chemical / Offshore



* On request and minimum quantity..

MODEL STRUCTURE

Example:

505.110008 AT

Series	Materials	Closing	O-ring	Opening pressure ± 0,3	Size (S)	Thread
505.	1 Carbon St. 2 AISI 316	1 Poppet	0 Without	00 0.34 Bar / 5 psi	0 4	2 letters as per Table of Threads
			1 NBR (90Sh)	10 1 Bar / 14psi	1 6	
	2 VITON		25 2.5 Bar / 36 psi	2 10		
	3 EPDM		45 4.5 Bar / 65 psi	3 13		
			60 6 Bar / 87 psi	4 20		
			80 8 Bar / 115 psi	5 25		
			99 10 Bar / 145 psi	6 32		
				7 40		
				8 50		

505-1

INTEVA reserves the right to make modifications to its products without prior notice. Any external or internal alterations to our products will automatically void the warranty.

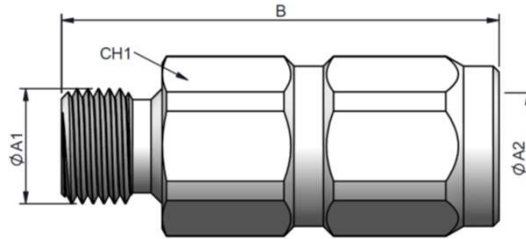





505 SERIES ATR

ANTI-RETURN VALVES
THREAD MALE - FEMALE

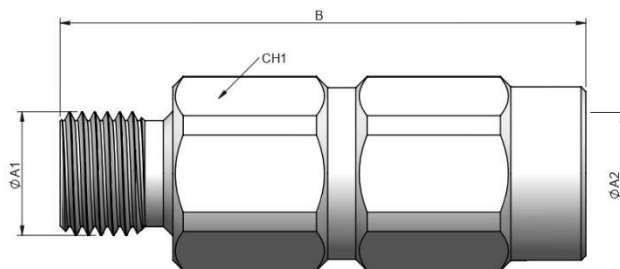
(S) 04 - 1/8"




STANDARD MODELS

(S)	ØA1	ØA2	REF.		CH1	B
04	1/8" BSP M.	1/8" BSP	505.110000AL	300	14	37

(S) 06 - 1/4"



STANDARD MODELS

(S)	ØA1	ØA2	REF.		CH1	B
6	1/4" BSP M.	1/4" BSP	505.110001AM	300	19	56

505-2

INTEVA reserves the right to make modifications to its products without prior notice. Any external or internal alterations to our products will automatically void the warranty.

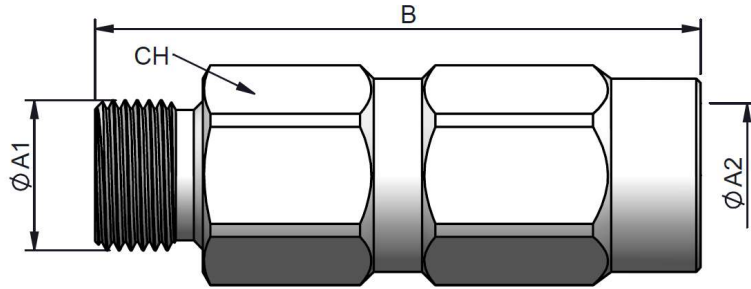





505 SERIES ATR

ANTI-RETURN VALVES
THREAD MALE - FEMALE

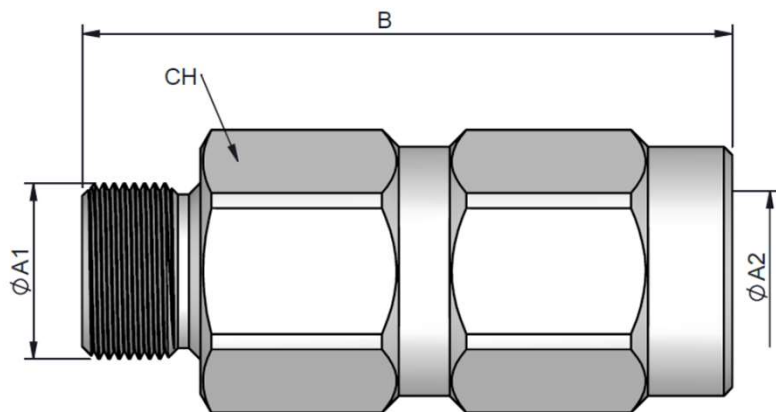
(S) 10 - 3/8"




STANDARD MODELS

(S)	ØA1	ØA2	REF.		CH1	B
10	3/8" BSP M.	3/8" BSP	505.110002AN	300	22	70

(S) 13 - 1/2"



STANDARD MODELS

(S)	ØA1	ØA2	REF.		CH1	B
13	1/2" BSP	1/2" BSP	505.110003AO	300	30	77

505-3

INTEVA reserves the right to make modifications to its products without prior notice. Any external or internal alterations to our products will automatically void the warranty.

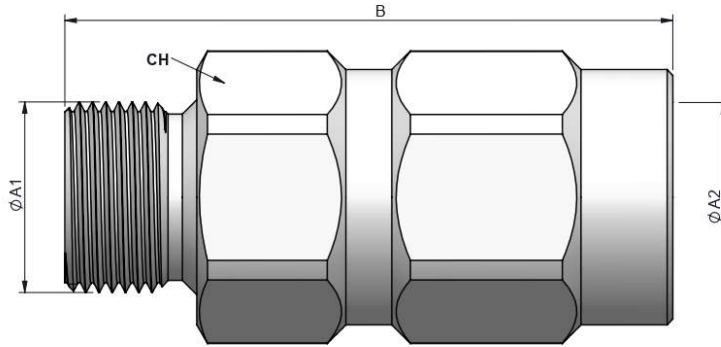





505 SERIES ATR

ANTI-RETURN VALVES
THREAD MALE - FEMALE

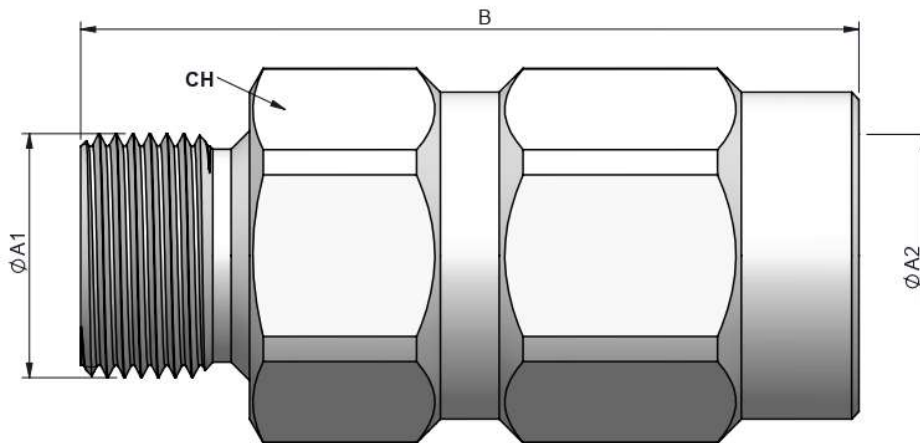
(S) 20 - 3/4"




STANDARD MODELS

(S)	ØA1	ØA2	REF.		CH1	B
20	3/4" BSP M.	3/4" BSP	505.110004AP	300	36	90

(S) 25 - 1"



STANDARD MODELS

(S)	ØA1	ØA2	REF.		CH	B
25	1" BSP M.	1" BSP	505.110005AQ	300	46	106

505-4

INTEVA reserves the right to make modifications to its products without prior notice. Any external or internal alterations to our products will automatically void the warranty.

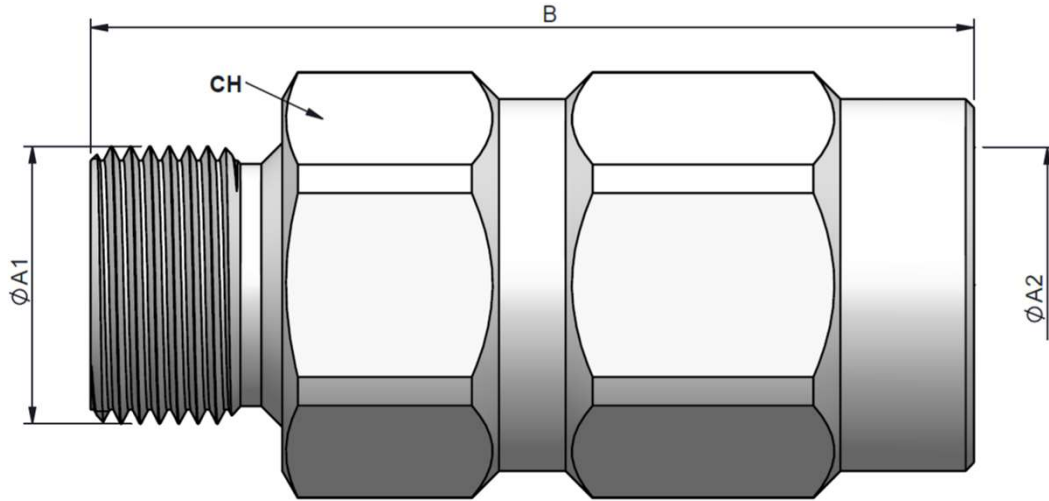





505 SERIES ATR

ANTI-RETURN VALVES
THREAD MALE - FEMALE

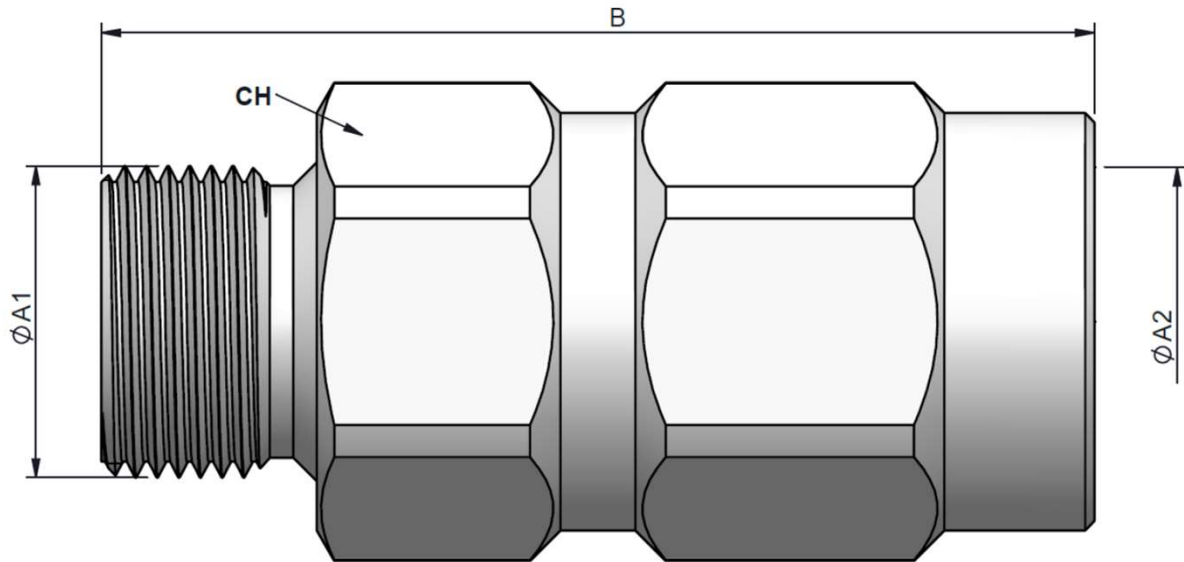
(S) 32 – 1 1/4"




STANDARD MODELS

(S)	ØA1	ØA2	REF.		CH	B
20	3/4" BSP	3/4" BSP	505.110004AP	300	36	90

(S) 40 – 1 1/2"



STANDARD MODELS

(S)	ØA1	ØA2	REF.		CH	B
25	1" BSP	1" BSP	505.110005AQ	300	46	106

505-5

INTEVA reserves the right to make modifications to its products without prior notice. Any external or internal alterations to our products will automatically void the warranty.

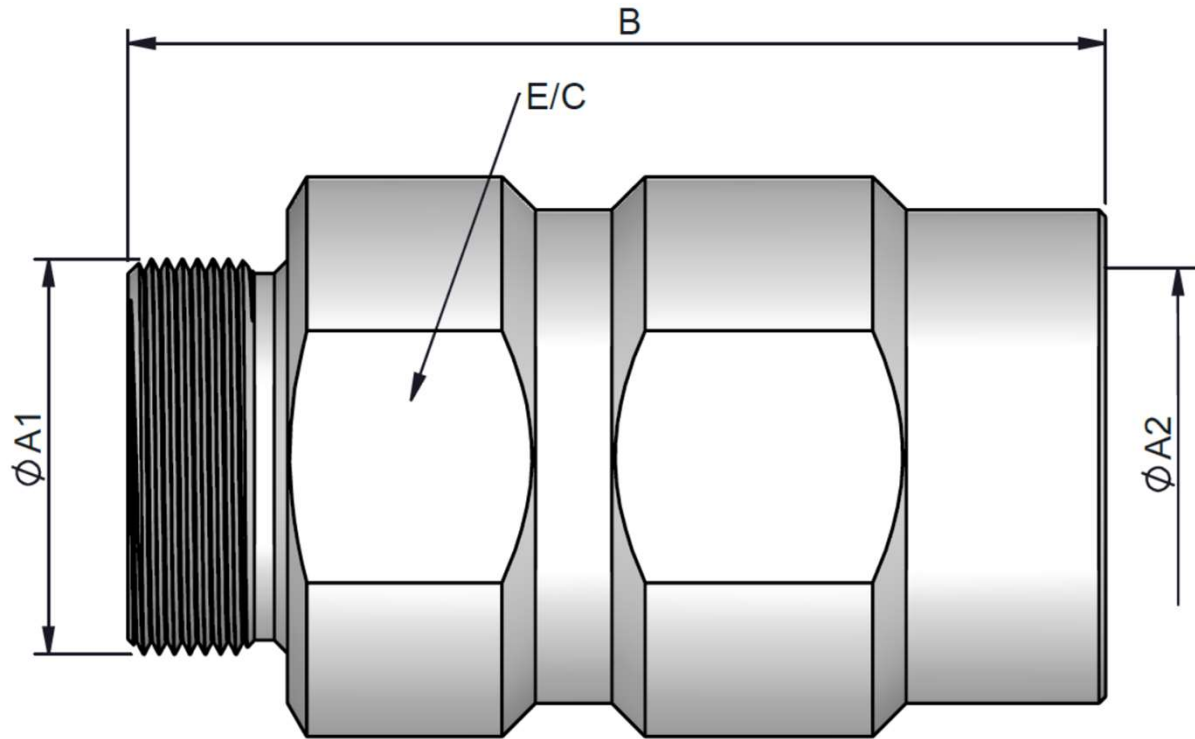





505 SERIES ATR

ANTI-RETURN VALVES
THREAD MALE - FEMALE

(S) 50 – 2"



STANDARD MODELS

(S)	ØA1	ØA2	REF.		E/C	B
50	2" BSP	2" BSP	505.110008AT	200	75	160

505-6

INTEVA reserves the right to make modifications to its products without prior notice. Any external or internal alterations to our products will automatically void the warranty.





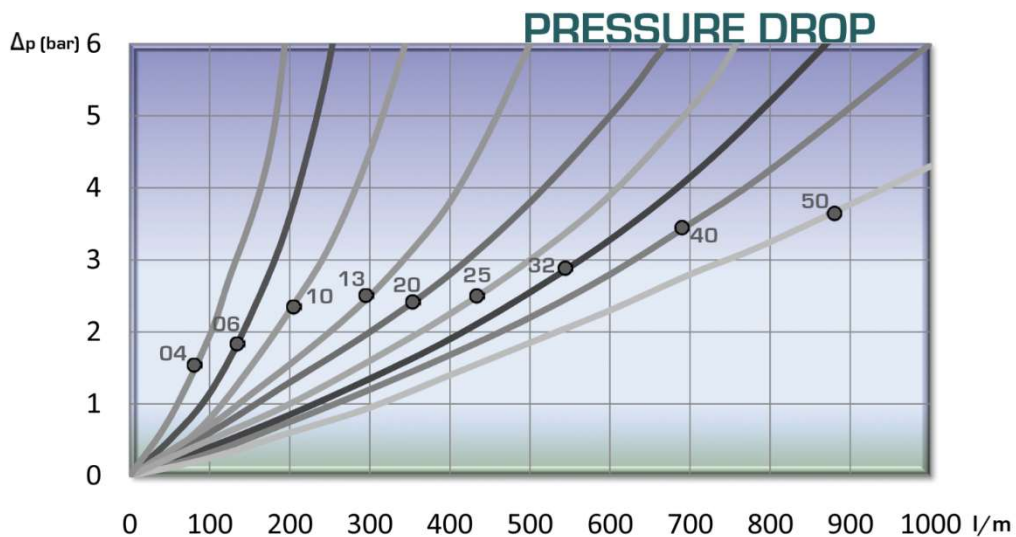
505 SERIES ATR

ANTI-RETURN VALVES
THREAD MALE – FEMALE
CARBON STEEL / AISI 316

TECHNICAL DATA

(S)	Max. Rated Flow	Max. Working Pressure	Min. Burst Pressure
	l/m / GPM	Bar / psi	Bar / psi
04	8 / 2.11	300 / 4350	1200 / 17400
06	26 / 6.87	300 / 4350	1200 / 17400
10	44 / 11.6	300 / 4350	1200 / 17400
13	90 / 23.85	300 / 4350	1200 / 17400
20	152 / 40.2	300 / 4350	1200 / 17400
25	200 / 52.8	300 / 4350	1200 / 17400
32	370 / 97.8	300 / 4350	1200 / 17400
40	598 / 158	300 / 4350	1200 / 17400
50	875 / 231	200 / 2900	800 / 11600

Test performed according to ISO 18869



505-7

INTEVA reserves the right to make modifications to its products without prior notice. Any external or internal alterations to our products will automatically void the warranty.

