



# 207 SERIES CAT



## TECHNICAL SPECIFICATIONS

<b>Features:</b>	Used for high-pressure and heavy work.	
<b>Working Pressure:</b>	Up to 420 Bar	
<b>Materials:</b>	Body:	Carbon Steel EN -10277-3
	O-rings:	NBR / VITON / EPDM
	Back-up-ring:	PTFE
	Springs:	EN-10270-1/SH
	Balls:	-
<b>Available Threads:</b>	BSP / ISO 9974 (DIN 3852-1 B)*	
<b>Closing System:</b>	Poppet Valve	
<b>Connection/Disconnection:</b>	Screw on / off both parts	
<b>Connection Under Pressure:</b>	Residual Pressure	

**Available Size:** 1/2" y 1"

### Working Temperature (O-rings)

	NBR	Viton	EPDM
	+100°C	+200°C	+150°C
	-30°C	-10°C	-40°C

**Sectors:** Industrial / Agricultural / Construction machinery



**Applications:** Designed for Hydraulic Oil (Group II- 2014/68/EU)

**Interchange:** DNP VAV

\* Others available upon request

## MODEL REFERENCE

Example:

# 207.12113 NG

Series	Material	Part	Closing	O-rings	Size (S)	Thread
207.	1 Carbon St.	1 Male	0 Without	0 Without	3 13	2 letters (see Thread Table on page 999-1)
	2 AISI 316	2 Female	1 Poppet	1 NBR	5 25	
				2 VITON		
				3 EPDM		

## 207-1

INTEVA reserves the right to make modifications to its products without prior notice. Any external or internal alterations to our products will automatically void the warranty.

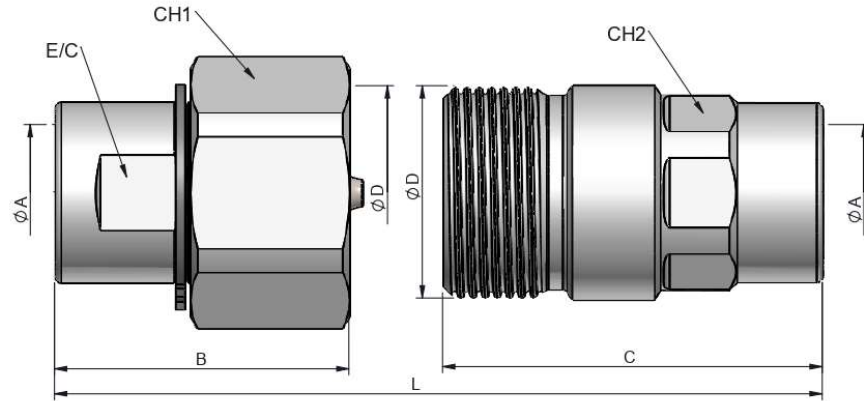




# 207 SERIES CAT



## (S) 13 - 1/2"



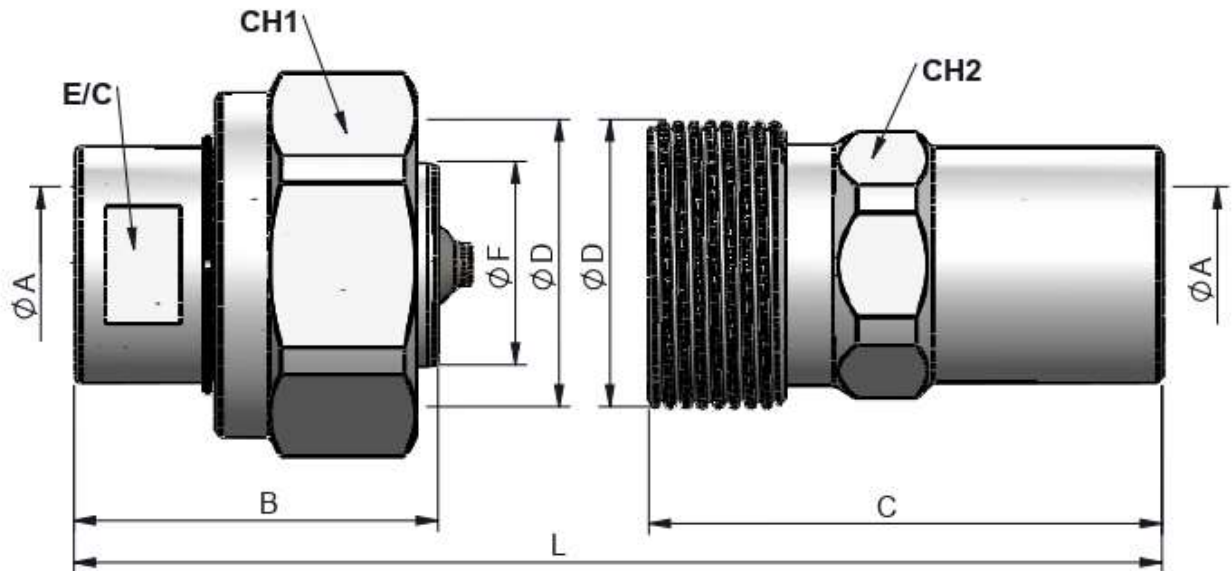
STANDARD MALE MODELS

(S)	ØA	REF.		CH1	E/C	ØD	B	L
13	M22x1.5	207.11113NG	400	41	27	Rd 35x2	48	92
	1/2" BSP	207.11113AD						

STANDARD FEMALE MODELS

(S)	ØA	REF.		CH2	C	ØD	L
13	M22x1.5	207.12113NG	400	30	62	Rd 35x2	92
	1/2" BSP	207.12113AD					

## (S) 25 - 1"



STANDARD MALE MODELS

(S)	ØA	REF.		CH1	E/C	ØF	ØD	B	L
25	M30x1.5	207.11115NS	360	65	38	38	Rd 54x3	68	134
	1" BSP	207.11115AF							

STANDARD FEMALE MODELS

(S)	ØA	REF.		CH2	C	ØD	L
25	M30x1.5	207.12115NS	360	46	96	Rd 54x3	134
	1" BSP	207.12115AF					



# 207 SERIES CAT

CAPS &  
PLUGS



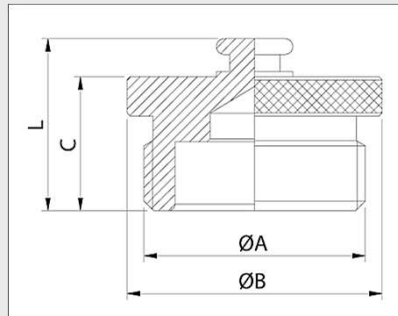
Designed to protect the female (coupler) and male (nipple) parts while disconnected.

## MODEL REFERENCE

Example:

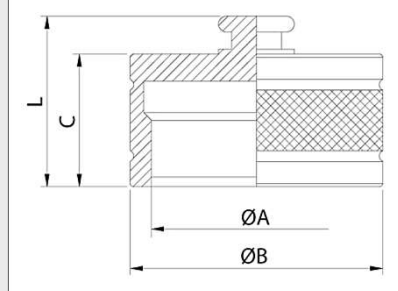
### 207.6403 AA

Series	Material	Part	Color	Size (S)	Type
206.	2 AISI 316	3 Plug	0 Metal	3 13	AA
	5 Aluminum	4 Cap		5 25	



### PLUG

(S)	REF.	ØA	ØB	C	L
13	207.6303AA	Rd 35x2	40	21	27
25	207.6305AA	Rd 54x3	60	37.5	43.5



### CAP

(S)	REF.	ØA	ØB	C	L
13	207.6403AA	Rd 35x2	40	21	27
25	207.6405AA	Rd 54x3	60	29	35