



106 SERIES DIA



Interchangeability with American market.

TECHNICAL SPECIFICATIONS

Operating pressure:	Up to 250 Bar	
Materials:	Body:	Carbon Steel EN 10277-3
	O-rings:	NBR / VITON / EPDM
	Back-up-ring:	PTFE
	Springs:	EN 10270-1/SH
	Balls:	AISI 1010/1015
Available Threads:	NPTF*	
Closing System:	Poppet Valve or ball	
Connection:	Sleeve Retraction & Press to connect	
Disconnection:	Sleeve Retraction	
Connection Under Pressure:	Not Allowed	

Available Size: 3/4"

Working Temperature (O-rings)

	NBR	Viton	EPDM
	+100°C	+200°C	+150°C
	-30°C	-10°C	-40°C

Sectors: Industrial / Agricultural



Applications: Designed for Hydraulic Oil (Group II-2014/68/EU)

Interchange: PARKER PIONEER

**Others upon request.*

MODEL STRUCTURE

Example:

106.11114 BE

Series	Material	Part	Closing	O-rings	Size (S)	Thread
106.	1 Carbon St.	1 Male 2 Female	0 Without 1 Poppet 2 Ball	0 Without 1 NBR 2 VITON 3 EPDM	4 20 3/4"	2 letters (see Table of Threads page 999-1)

106-1

INTEVA reserves the right to make modifications to its products without prior notice. Any external or internal alterations to our products will automatically void the warranty.

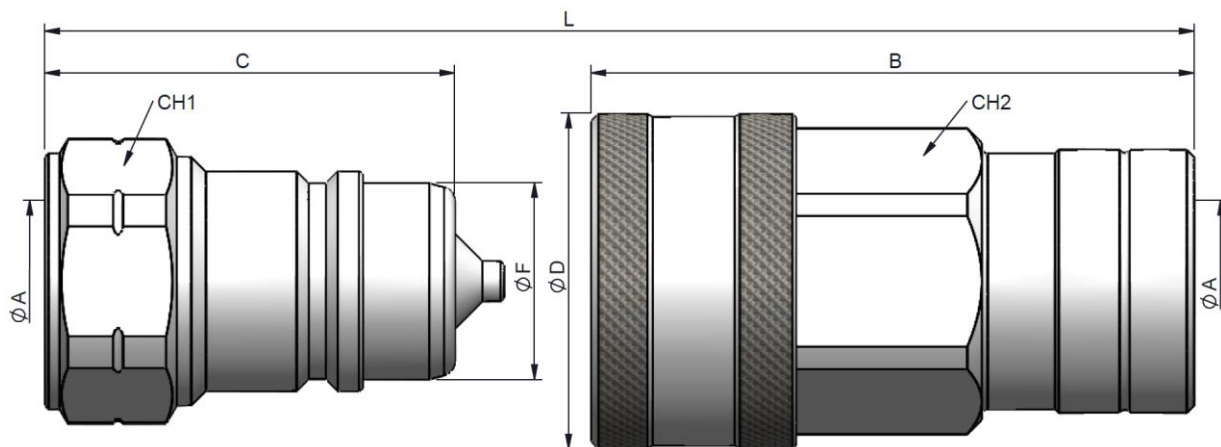


106 SERIES DIA

CARBON STEEL



(S) 20 - 3/4"



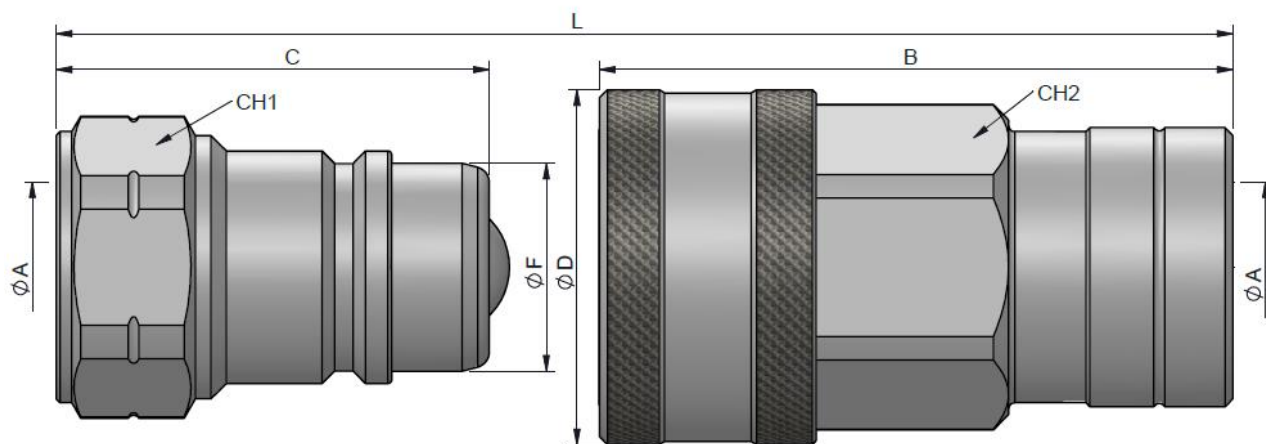
STANDARD MALE MODELS

(S)	ØA	REF.		CH1	C	ØF	L
19	3/4" NPTF	106.11114BE	250	36	56	26.85	112

STANDARD FEMALE MODELS

(S)	ØA	REF.		CH2	B	ØD	L
19	3/4" NPTF	106.12114BE	250	38	82	45.50	112

(S) 20 - 3/4"



STANDARD MALE MODELS

(S)	ØA	REF.		CH1	C	ØF	L
19	3/4" NPTF	106.11214BE	250	36	56	26.85	112

STANDARD FEMALE MODELS

(S)	ØA	REF.		CH2	B	ØD	L
19	3/4" NPTF	106.12214BE	250	38	82	45.50	112