



136 SERIES DRF



Manufactured according to ISO 15171-1 & SAE J1502.

TECHNICAL FEATURES

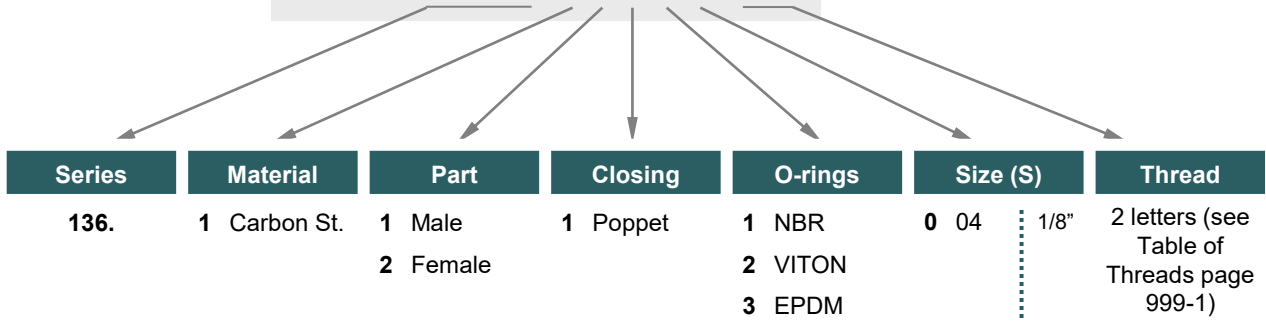
Facilitates maintenance of hydraulic systems by providing easy connection at multiple pressure checkpoints.													
Advantage:	Connector designed for pressure checking at different points of a circuit.												
	No air inclusion in the circuit.												
Operating pressure:	Up to 500 Bar												
Materials:	Body: Carbon Steel EN -10277-3												
	O-rings: NBR / VITON / EPDM												
	Back-up-ring: PTFE												
	Springs: EN 10270-1/SH												
	Balls: AISI 1010/1015												
Available Threads:	BSP / NPTF / ISO 9974-2 (DIN 3852-11) ISO 11926 (J1926) / ISO 8434-2 (J514/JIC) ISO 6149-2 / ISO 8434-1 (DIN 2353) ISO 8134-3 (J1453)*												
Closing System:	Poppet Valve												
Connection / Disconnection:	Press to connect / Sleeve Retraction												
Connection Under Pressure:	Not Allowed												
	Available Size: 1/8"												
	Working Temperature (O-rings)												
	<table border="1"> <thead> <tr> <th></th> <th>NBR</th> <th>Viton</th> <th>EPDM</th> </tr> </thead> <tbody> <tr> <td></td> <td>+100°C</td> <td>+200°C</td> <td>+150°C</td> </tr> <tr> <td></td> <td>-30°C</td> <td>-10°C</td> <td>-40°C</td> </tr> </tbody> </table>		NBR	Viton	EPDM		+100°C	+200°C	+150°C		-30°C	-10°C	-40°C
	NBR	Viton	EPDM										
	+100°C	+200°C	+150°C										
	-30°C	-10°C	-40°C										
	Sectors: Industrial /Building Machinery												
	Applications: Designed for Hydraulic Oil (Group II-2014/68/EU)												
	Interchange:												

*Others upon request.

MODEL STRUCTURE

Example:

136.12110 BB



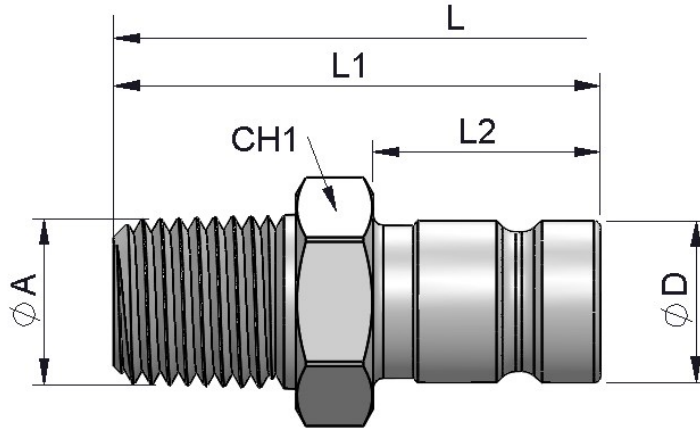
136-1






136 SERIES DRF MALE THREAD

(S) 04 - 1/8" MALE THREAD



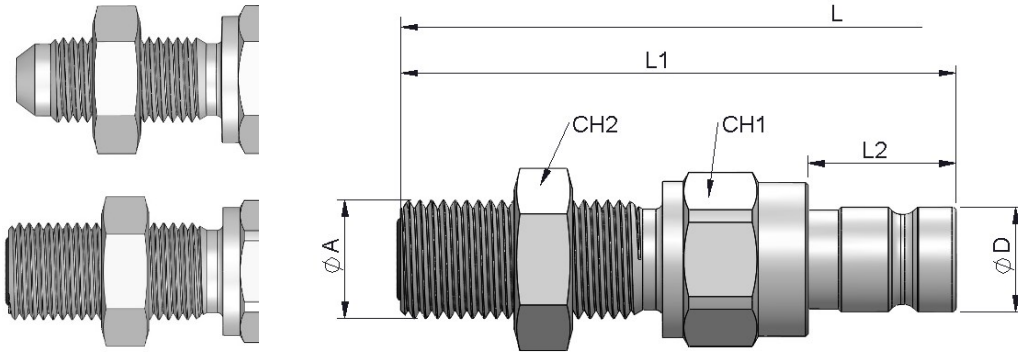
(S)	ØA	STANDARD	REF.		L	L1	L2	CH1	ØD
04	1/8" NPTF	ANSI B1.20.3	136.11110BL	420	81	46	17.8	19	12.6
	1/4" NPTF		136.11110BM						
	M14x1.5	ISO 6149-2 (ORB)	136.11110OF						
	3/8" - 24h UNF	SAE J1926-2 ISO 11926 (ORB)	136.11110HA						
	7/16" - 20h UNF		136.11110HB						
	1/2" - 20h UNF		136.11110HC						
	9/16" - 18h UNF		136.11110HD						
	9/16" - 18h UNF	ISO 8434-3 SAE J1453 (ORFS)	136.11110ZD						
	11/16" - 16 UN		136.11110ZE						
	13/16" - 16h UN		136.11110ZG						
	7/16" - 20h UNF	ISO 8434-2 SAE 37° (JIC) SAE J514	136.11110YB						
	1/2" - 20h UNF		136.11110YC						
	9/16" - 18h UNF		136.11110YD						
	M12x1.5	ISO 9974-2	136.11110QE					19	
	M14x1.5		136.11110QF						
	1/8" BSP	BS5200	136.11110AL						
1/4" BSP	136.11110AM								



136 SERIES DRF MALE THREAD

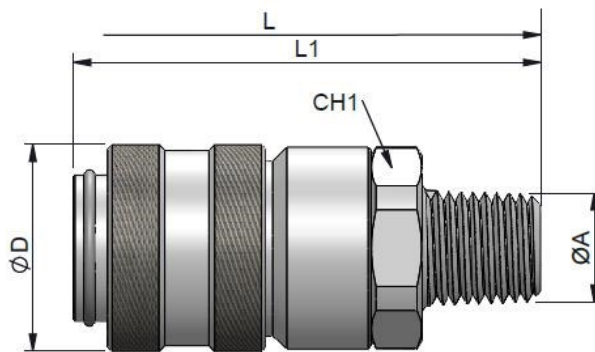


(S) 04 - 1/8" BULKHEAD MALE THREAD



(S)	ØA	STANDARD	REF.		L	L1	L2	CH1	CH2	ØD
04	9/16" - 18h UNF	ISO 8434-3 SAE J1453 (ORFS)	136.11110ZDP	420	106	67	17.8	19	19	12.6
	11/16" - 16 UN		136.11110ZEP		107	68		22	22	
	13/16" - 16h UN		136.11110ZGP		110	71		22	22	
	7/16" - 20h UNF	ISO 8434-2 SAE 37° (JIC) SAE J514	136.11110YBP		103	64		19	19	
	1/2" - 20h UNF		136.11110YCP		101	62		19	19	
	9/16" - 18h UNF		136.11110YDP		103	64		19	19	

(S) 04 - 1/8" BULKHEAD MALE THREAD



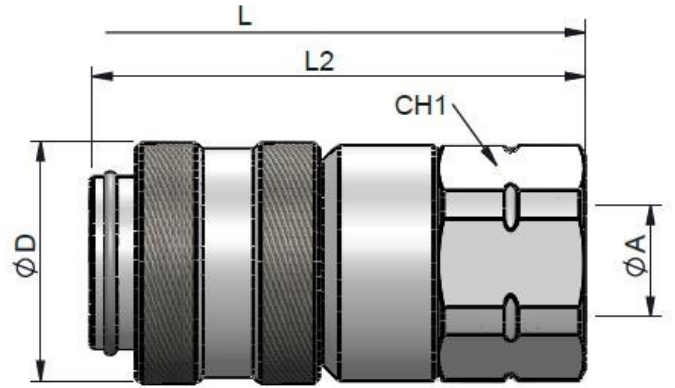
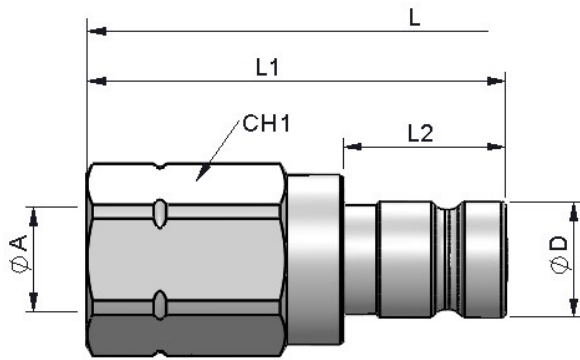
(S)	ØA	STANDARD	REF.		L	L1	CH1	ØD
04	1/8" NPTF	ANSI B1.20.3	136.12110BL	420	81.25	55	22	24.3
	1/4" NPTF		136.12110BM					
	1/8" BSP	BS5200	136.12110AL					
	1/4" BSP		136.12110AM					



136 SERIES DRF FEMALE THREAD




(S) 04 - 1/8" FEMALE THREAD



STANDARD MALE MODELS

STANDARD FEMALE MODELS

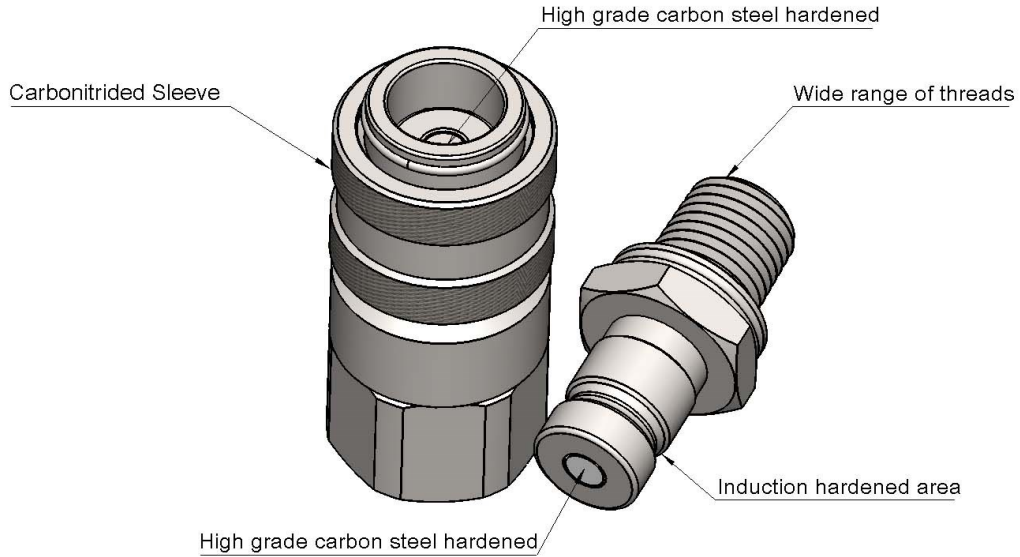
(S)	ØA	STANDARD		REF.	L	L1	L2	CH1	ØD	REF.	L2	CH1	ØD
04	1/8" BSP	BS5200	420	136.11110AA	81	42	17.8	19	12.6	136.12110AA	54	22	24.3
	1/4" BSP			136.11110AB						136.12110AB			
	1/8" NPTF	ANSI B1.20.3		136.11110BA						136.12110BA			
	1/4" NPTF			136.11110BB						136.12110BB			
	M14x1.5	ISO 6149-1		136.11110EF						136.12110EF			
	7/16" UNF	SAE J1926-1		136.11110GB						136.12110GB			
	9/16" UNF			136.11110GD						136.12110GD			
	9/16" UNF	ISO 8434-3		136.11110VD						136.12110VD			
	11/16" UN			136.11110VE						136.12110VE			
	13/16" UN			136.11110VG						136.12110VG			
	7/16" UNF	ISO 8434-2		136.11110UB						136.12110UB			
	1/2" UNF			136.11110UC						136.12110UC			
	9/16" UNF			136.11110UD						136.12110UD			
	3/4" UNF			136.11110UF						136.12110UF			



136 SERIES DRF

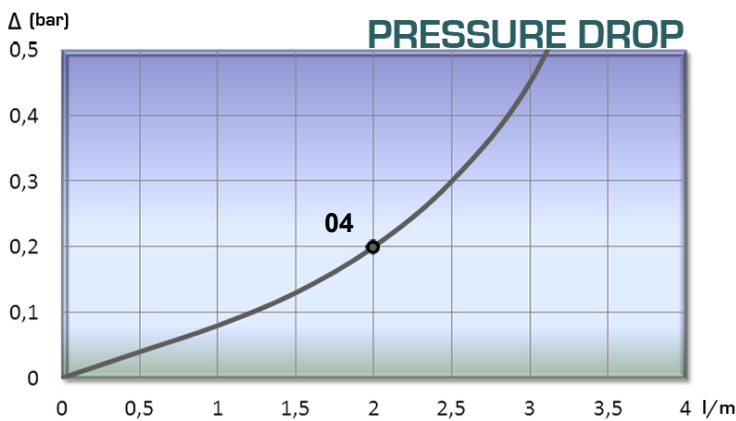


TECHNICAL DATA



(S)	Max. Flow	Connection Force	Min. Burst Pressure (bar)			Max. Working Pressure	Fluid Spillage
	l/m		N	Male	Female		
04	2	50	1450	1400	1400	350	Max. 0.02

Test performed according to ISO 18869



DUST CAP – 136.5450AA