



470 SERIES EK2

FLOW DIVERTER
2 WAY



Designed exclusively as flow diverters.

TECHNICAL SPECIFICATIONS

Operating pressure:	Up to 500 Bar	
Materials:	Body:	Carbon Steel EN 10277-3
	O-rings:	NBR / VITON / EPDM
	Ball seats:	Without*
	Handle:	Steel
Available Threads:	BSP / SPECIAL METRIC THREAD	
Anchoring System:	*	
Applications:	Designed for oil hydraulic (Group II- 2014/68/EU)	
Interchange:	*	

Available Sizes: 3/8"

Working Temperature (O-rings)

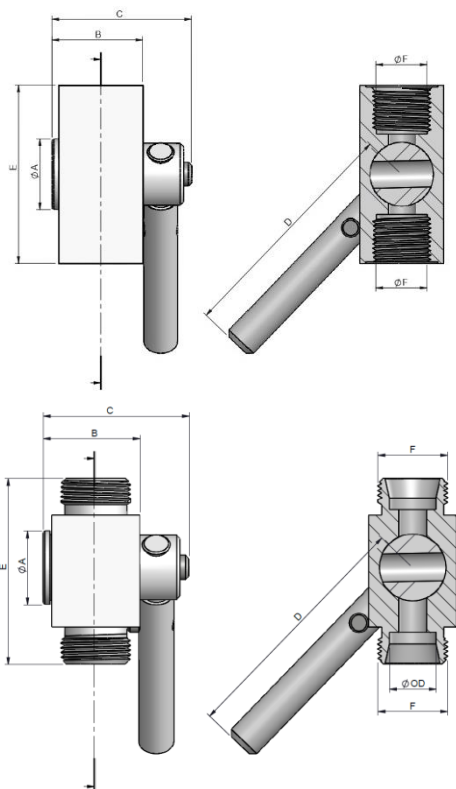
	NBR	Viton	EPDM
	+100°C	+200°C	+150°C
	-30°C	-10°C	-40°C

Sectors: Industrial / Agricultural



Closing System: Metal to Metal (without O-ring) (Not 100% sealant)

MODEL STRUCTURE / DIMENSIONS



(S)	Ø F	REF.		Ø A	B	C	D	E
10	3/8" BSP	470.1012AC	250	21	27	41.5	70.5	53



(S)	Ø F	REF.		Ø A	B	C	D	E	OD
10	M20x1.5	470.1012KFA	250	21	27	41.5	70.5	53	13



470-1

INTEVA reserves the right to make modifications to its products without prior notice. Any external or internal alterations to our products will automatically void the warranty.

