



# 471 SERIES EK3

FLOW DIVERTER  
3-WAY



Designed exclusively as flow diverters..

## TECHNICAL SPECIFICATIONS

**Operating pressure:** Up to 190 Bar

**Available Sizes:** 3/8"

**Materials:** Body: Carbon Steel EN 10277-3

**Working Temperature (O-rings)**

O-rings: NBR / VITON / EPDM

	NBR	Viton	EPDM
+	+100°C	+200°C	+150°C
-	-30°C	-10°C	-40°C

Seating Ball: Without\*

Handle: Steel

**Available Threads:** BSP

**Sectors:** Industrial / Agricultural

**Anchoring System:** Included

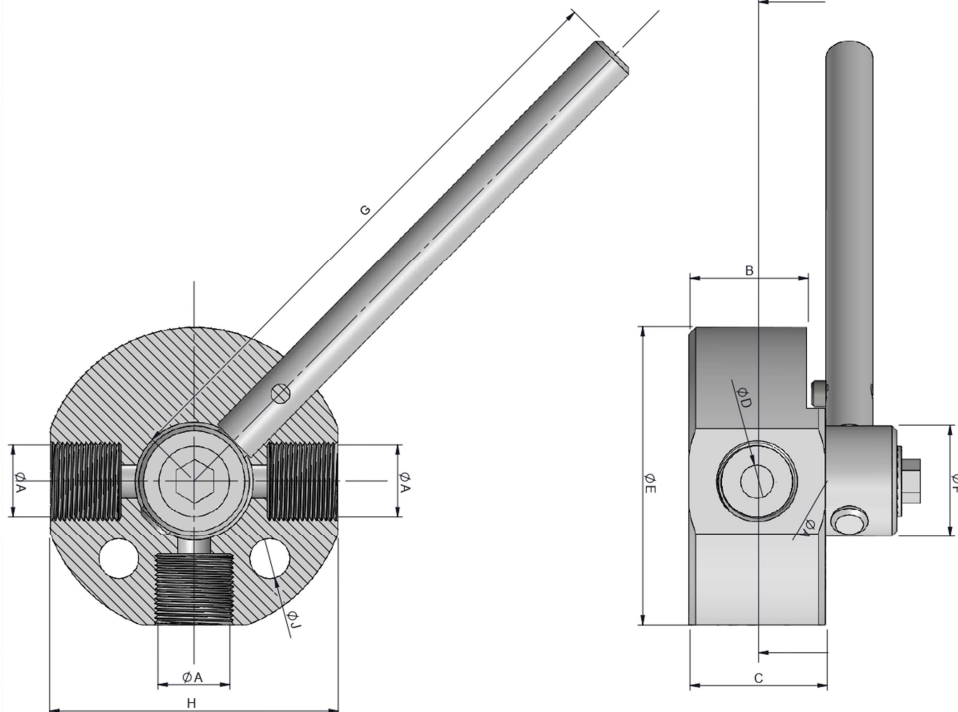
**Applications:** Designed for oil hydraulic (Group II- 2014/68/EU)




**Interchange:** \*

**⚠ Closing System: Metal to Metal (without o-ring) (Not 100% sealant)**

## MODEL STRUCTURE / DIMENSIONS



(S)	F	REF.		Ø A	B	C	Ø D	Ø E	Ø F	G	H	I	Ø J
10	3/8" BSP	471.1112AC	190	15.20	25	29	7	65	26.50	127.25	61	15.50	8.50

471-1

INTEVA reserves the right to make modifications to its products without prior notice. Any external or internal alterations to our products will automatically void the warranty.

