



471 SERIES EK3

FLOW DIVERTER
3 WAY

INTEVA

Designed exclusively as flow diverters.

TECHNICAL SPECIFICATIONS

Operating pressure: Up to 190 Bar

Available Sizes: 3/8"

Materials: Body: Carbon Steel EN 10277-3

Working Temperature (O-rings)

O-rings: NBR / VITON / EPDM

	NBR	Viton	EPDM
	+100°C	+200°C	+150°C
	-30°C	-10°C	-40°C

Ball seats: Without*

Handle: Steel

Available Threads: BSP

Sectors: Industrial / Agricultural

Anchoring System: Included

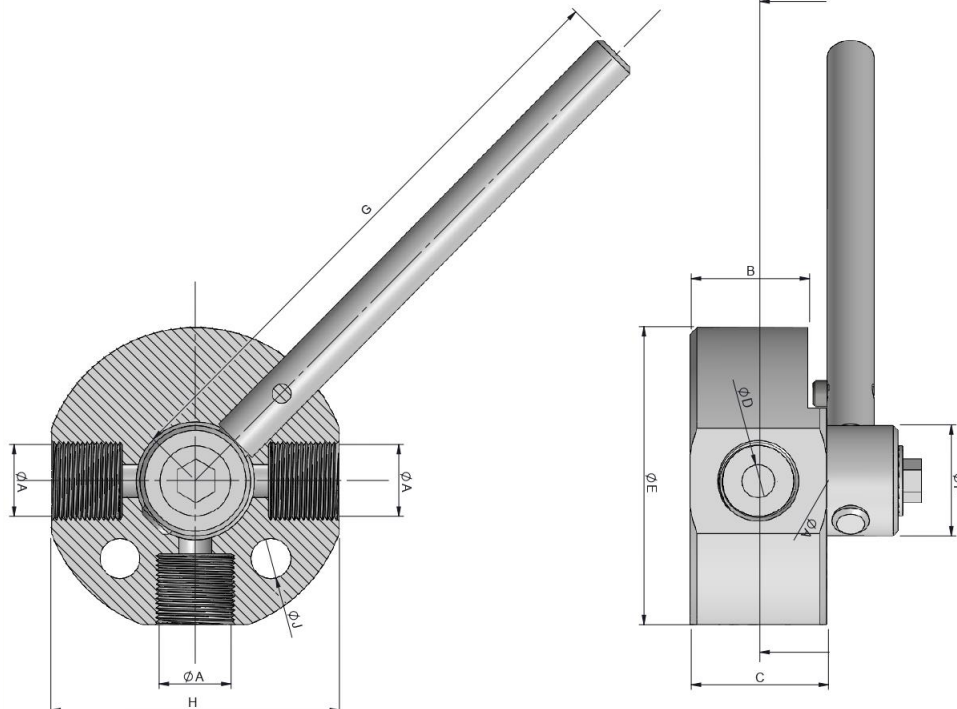
Applications: Designed for oil hydraulic (Group II- 2014/68/EU)



Interchange: *

Closing System: Metal to Metal (without O-ring) (Not 100% sealant)

MODEL STRUCTURE / DIMENSIONS



(S)	F	REF.		Ø A	B	C	Ø D	Ø E	Ø F	G	H	I	Ø J
10	3/8" BSP	471.1112AC	190	15.20	25	29	7	65	26.50	127.25	61	15.50	8.50

471-1

INTEVA reserves the right to make modifications to its products without prior notice. Any external or internal alterations to our products will automatically void the warranty.

