



471 SERIES EK3 BSP

BSP



Steel manufacturing.
Designed exclusively as flow diverters.

• **Materials**

Carbon Steel EN -10277-3

Seals: NBR, Viton or EPDM

Handle: ZAMAK-5

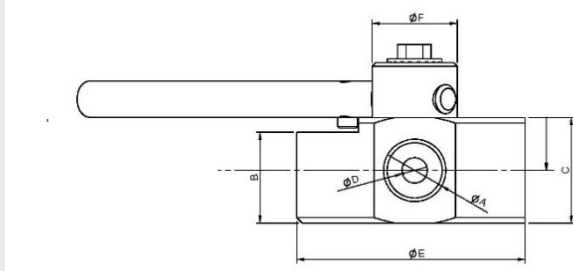
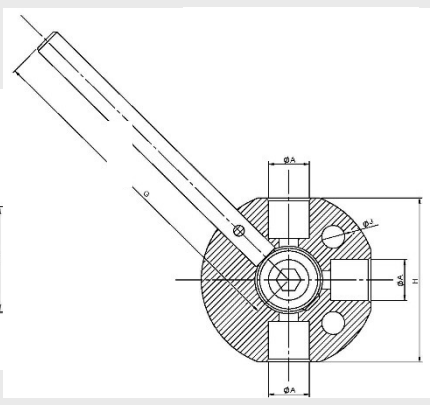
• **Working temperature (O-ring)**

	NBR	Viton	EPDM
	+100°C	+200°C	+150°C
	-30°C	-10°C	-40°C

• **Applications:** Designed for Oil hydraulic Applications.

• **Sectors:** Industrial, Agricultural.



STANDARD MODEL

DN	F	REF.		Ø A	B	C	Ø D	Ø E	Ø F	G	H	I	Ø J
10	3/8" BSP	471.1112AC	190Bar	15,20	25	29	7	65	26,50	127,25	61	15,50	8,50

Metal closure system without O-ring. (Not 100% sealant).

471-1

INTEVA reserves the right to make modifications in its products without prior notice.
Any external or internal alteration in our products will automatically void the warranty.

