



202 SERIES HPA



Manufactured according to ISO 14540

TECHNICAL SPECIFICATIONS

Features: Designed for cylinders, hand pumps and other high-pressure applications .

Working Pressure: Up to 1200 Bar

Available Size: 1/4" y 3/8"

Materials: Body: Carbon St. EN 10277-3
Stainless Steel 316

O-rings: NBR / VITON / EPDM

Working Temperature (O-rings)

	NBR	Viton	EPDM
	+100°C	+200°C	+150°C
	-30°C	-10°C	-40°C

Back-up-ring: PTFE

Springs: EN 10270-1/SH

Balls: AISI 1010/1015

Sectors: Industrial

Available Threads: NPTF

Closing System: Poppet Valve or Ball



Connection/Disconnection: Screw on / off both parts

Applications: Designed for Hydraulic Oil (Group II-2014/68/EU)

Connection Under Pressure: Residual pressure

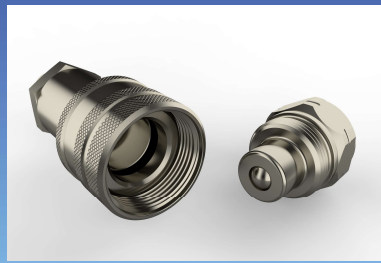
Interchange: ENERPAC C-604 / CEJN 230 / PARKER 3000

MODEL REFERENCE

Example:

202.12242 BN

Series	Material	Part	Closing	O-rings	Size (S)	Thread
202.	1 Carbon St. 2 SS316	1 Male 2 Female	1 Poppet 2 Ball	0 Without 2 VITON 4 NBR	1 6 : 1/4" 2 10 : 3/8"	2 letters (see Thread Table on page 999-1)

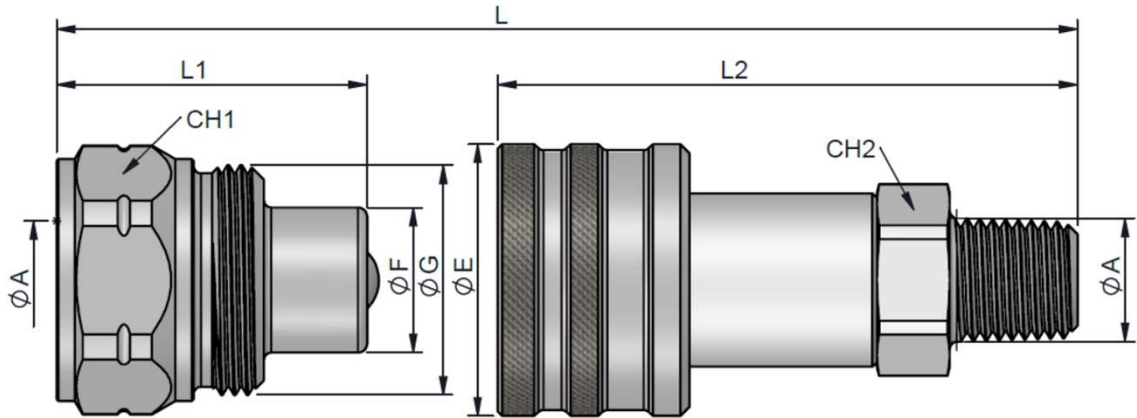


202 SERIES HPA

BALL TYPE
CARBON STEEL & SS316



(S) 6 - 1/4"



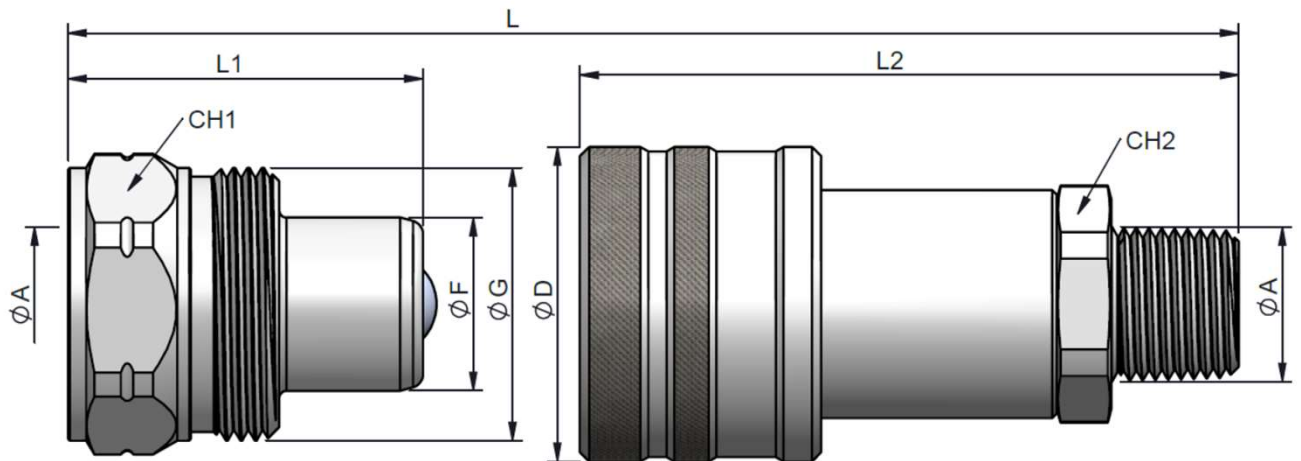
STANDARD MALE MODELS

(S)	ØA	REF.		CH1	ØG	L1	ØF	L
6	1/4" NPT	202.11201BB	700	27	1" - 18 h UNS	34	15.90	78.5
	1/4" NPT	202.21201BB						

STANDARD FEMALE MODELS

(S)	ØA	REF.		CH2	L2	ØE	L
6	1/4" NPT	202.12241BM	700	20	63.5	29.8	78.5
	1/4" NPT	202.22221BM					

(S) 10 - 3/8"



STANDARD MALE MODELS

(S)	ØA	REF.		CH1	ØG	L1	ØF	L
10	3/8" NPT	202.11202BC	700	30	1 3/16" - 12h UN	39	20	87
	3/8" NPT	202.21202BC						

STANDARD FEMALE MODELS

(S)	ØA	REF.		CH2	L2	ØE	L
10	3/8" NPT	202.12242BN	700	24	72.5	34.5	87
	3/8" NPT	202.22222BN					



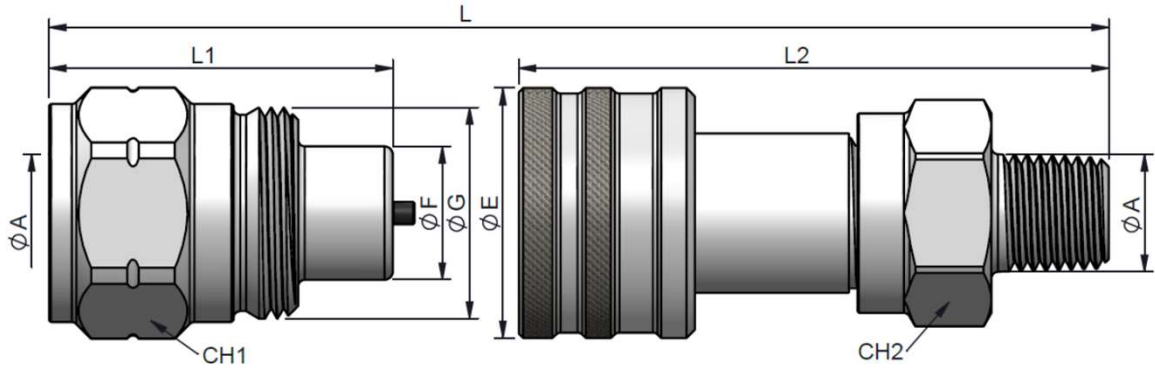
202 SERIES

HPA

POPPET TYPE
CARBON STEEL & SS316



(S) 6 - 1/4"



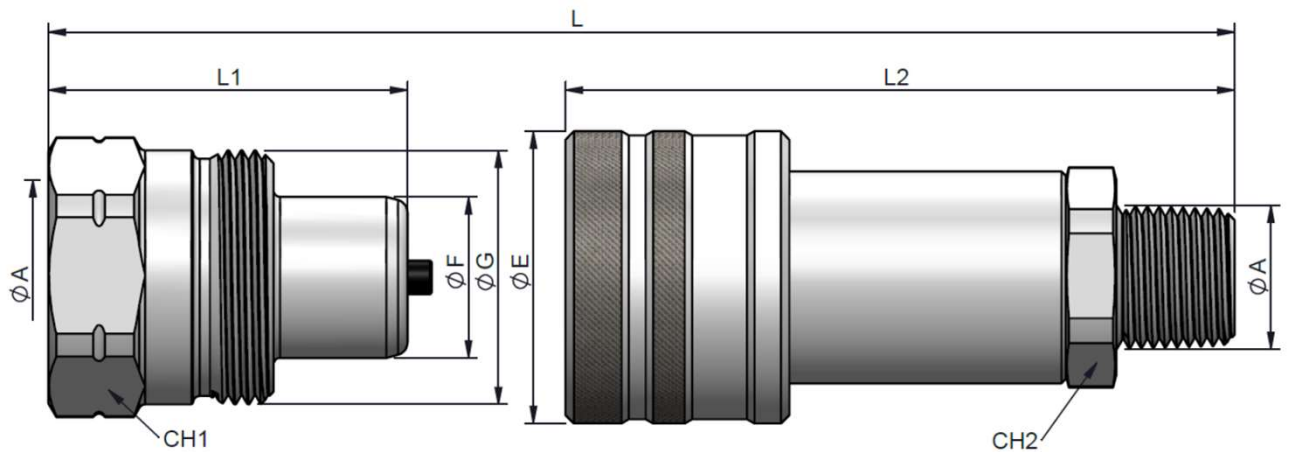
STANDARD MALE MODELS

(S)	ØA	REF.		CH1	ØG	L1	ØF	L
6	1/4" NPT	202.11141BB	1200	27	1" - 18 h UNS	34	15.90	78.5
	1/4" NPT	202.21121BB						

STANDARD FEMALE MODELS

(S)	ØA	REF.		CH2	L2	ØE	L
6	1/4" NPT	202.12141BM	1200	20	63.5	29.8	78.5
	1/4" NPT	202.22121BM					

(S) 10 - 3/8"



STANDARD MALE MODELS

(S)	ØA	REF.		CH1	ØG	L1	ØF	L
10	3/8" NPT	202.11142BC	1200	30	1 3/16" - 12h UN	42,5	20	97,5
	3/8" NPT	202.21122BC						

STANDARD FEMALE MODELS

(S)	ØA	REF.		CH2	L2	ØE	L
10	3/8" NPT	202.12142BN	1200	24	79.2	34.5	97.5
	3/8" NPT	202.22122BN					



202 SERIES

HPA CAPS & PLUGS



Designed to protect the female (coupler) and male (nipple) parts while disconnected.

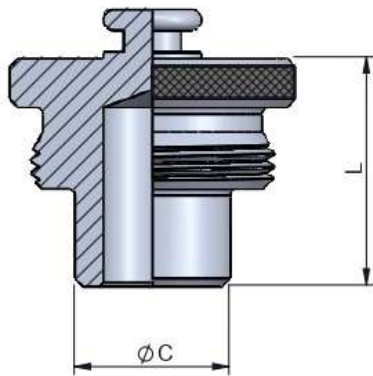
MODEL REFERENCE / DIMENSIONS

Example:

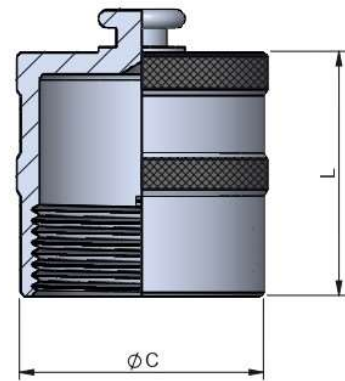
202.6302 AA

Series	Material	Part	Color	Size	Type
202.	2 SS316	3 Plug	0 Metal	1 6 : 1/4"	AA
	5 Plastic	4 Cap	5 Black	2 10 : 3/8"	
	6 Aluminum				

(S) 6 / (S) 10 – ALUMINUM & SS316



PLUG



CAP

(S)	ALUMINUM	SS316	ØC	L
6	202.6301AA	202.2301AA	15.85	24
10	202.6302AA	202.2302AA	20	28

(S)	ALUMINUM	SS316	ØC	L
6	202.6401AA	202.2401AA	29	28
10	202.6402AA	202.2402AA	34	34



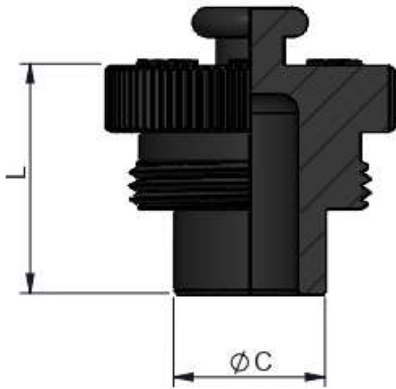
202 SERIES

HPA

CAPS & PLUGS

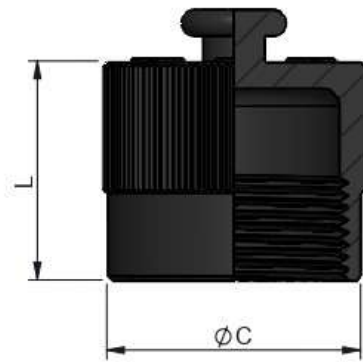
Designed to protect the female (coupler) and male (nipple) parts while disconnected.

PLASTIC



PLUG

(S)	PLASTIC	ØC	L
6	202.5351AA	15.8	24
10	202.5352AA	20	28



CAP

(S)	PLASTIC	ØC	L
6	202.5451AA	29	25
10	202.5452AA	34	34



202 SERIES

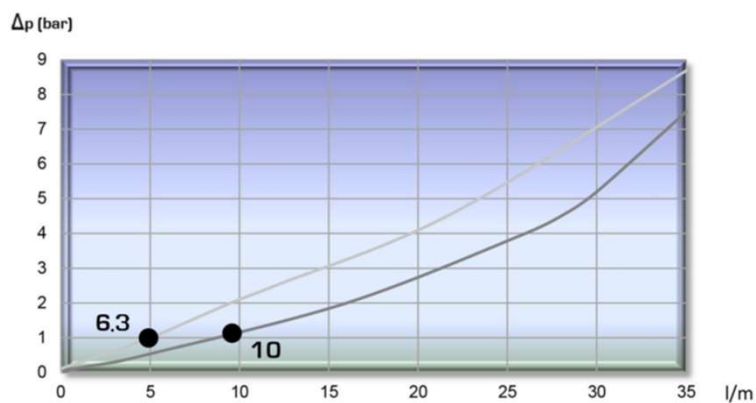
HPA CARBON STEEL & SS316



TECHNICAL DATA – Ball Type

(S)	Rated Flow	Min. Burst Pressure (bar)			Max. Working Pressure	Spillage
	l/m	Male	Female	Coupled	Bar	Max.
6	5	1500	2000	2200	700	0.2
10	9	1500	2000	2200	700	0.6

Test performed according to ISO 18869



TECHNICAL DATA – Poppet Type

(S)	Rated Flow	Min. Burst Pressure (bar)			Max. Working Pressure	Spillage
	l/m	Male	Female	Coupled	Bar	Max.
6	5	1500	2400	2400	1200	0.5
10	9	1500	2400	2800	1200	1.5

Test performed according to ISO 18869

