



202 SERIES HPA



Manufactured according to ISO 14540

TECHNICAL SPECIFICATIONS

Features: Designed for cylinders, hand pumps and other high-pressure applications .

Working Pressure: Up to 1200 Bar

Available Size: 1/4" y 3/8"

Materials:

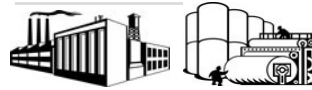
Body:	Carbon St. EN 10277-3
O-rings:	NBR / VITON / EPDM
Back-up-ring:	PTFE
Springs:	EN 10270-1/SH
Balls:	AISI 1010/1015

Working Temperature (O-rings)

	NBR	Viton	EPDM
	+100°C	+200°C	+150°C
	-30°C	-10°C	-40°C

Available Threads: NPTF

Sectors: Industrial



Closing System: Poppet Valve or Ball

Connection/Disconnection: Screw on / off both parts

Applications: Designed for Hydraulic Oil (Group II-2014/68/EU)

Connection Under Pressure: Residual pressure

Interchange: ENERPAC C-604 / CEJN 230 / PARKER 3000

MODEL REFERENCE

Example:

202.12242 BN

Series	Material	Part	Closing	O-rings	Size (S)	Thread
202.	1 Carbon St.	1 Male	1 Poppet	0 Without	1 6	2 letters (see Thread Table on page 999-1)
	2 AISI 316	2 Female	2 Ball	2 VITON	2 10	
				4 NBR		

202-1

INTEVA reserves the right to make modifications to its products without prior notice. Any external or internal alterations to our products will automatically void the warranty.

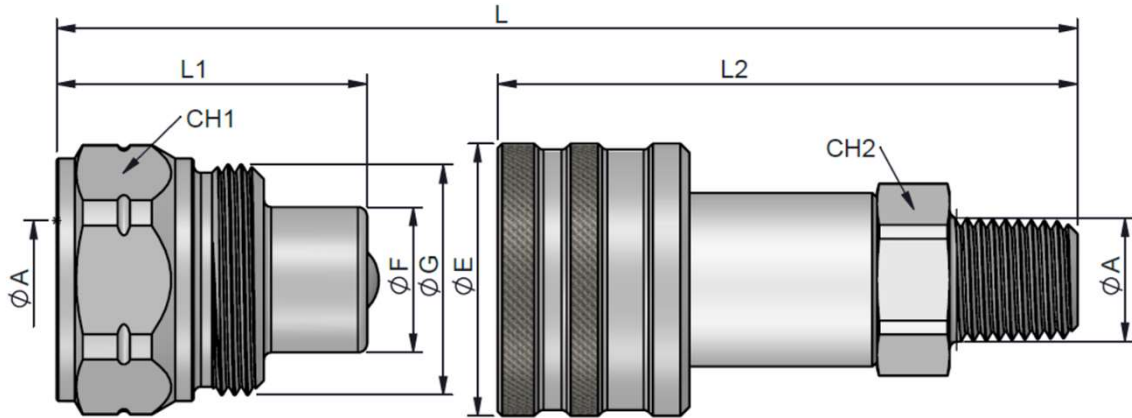




202 SERIES HPA

BALL VALVE
CARBON STEEL &
STAINLESS STEEL (AISI 316)

(S) 6 - 1/4"



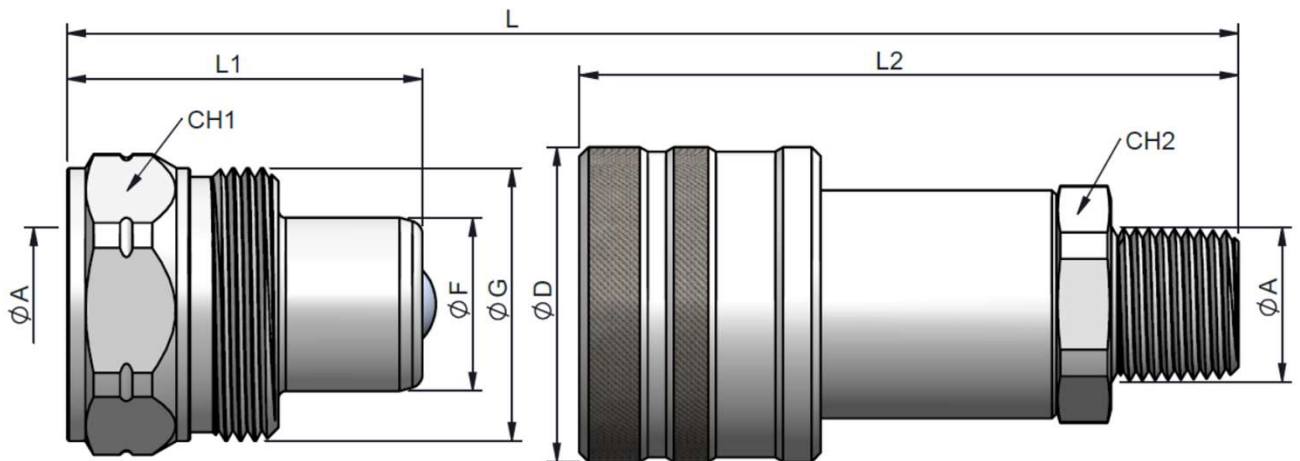
STANDARD MALE MODELS

(S)	ØA	REF.		CH1	ØG	L1	ØF	L
6	1/4" NPTF	202.11201BB	700	27	1" - 18 h UNS	34	15.90	78.5
	1/4" NPTF	202.21201BB						

STANDARD FEMALE MODELS

(S)	ØA	REF.		CH2	L2	ØE	L
6	1/4" NPTF	202.12241BM	700	20	63.5	29.8	78.5
	1/4" NPTF	202.22221BM					

(S) 10 - 3/8"



STANDARD MALE MODELS

(S)	ØA	REF.		CH1	ØG	L1	ØF	L
10	3/8" NPTF	202.11202BC	700	30	1 3/16" - 12h UN	39	20	87
	3/8" NPTF	202.21202BC						

STANDARD FEMALE MODELS

(S)	ØA	REF.		CH2	L2	ØE	L
10	3/8" NPTF	202.12242BN	700	24	72.5	34.5	87
	3/8" NPTF	202.22222BN					

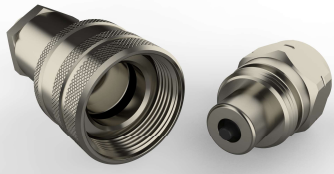
202-2

INTEVA reserves the right to make modifications to its products without prior notice. Any external or internal alterations to our products will automatically void the warranty.



v10

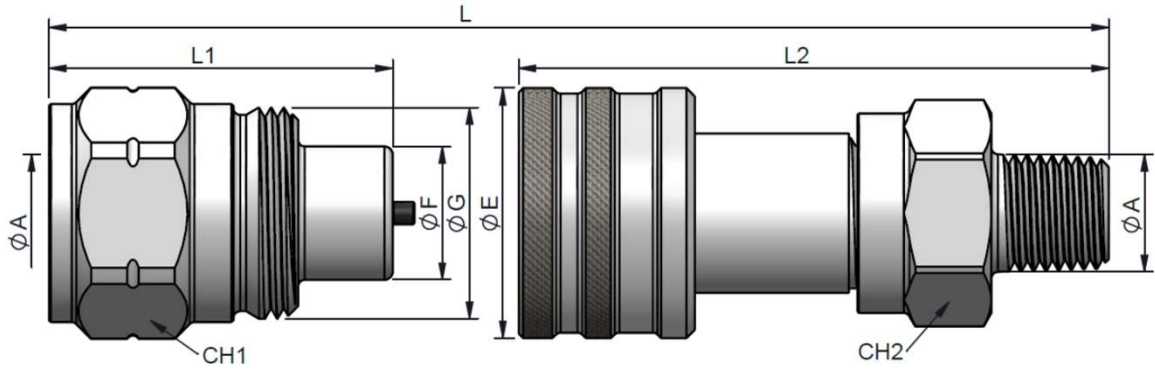
v10



202 SERIES HPA

POPPET VALVE
CARBON STEEL &
STAINLESS STEEL (AISI 316)

(S) 6 - 1/4"



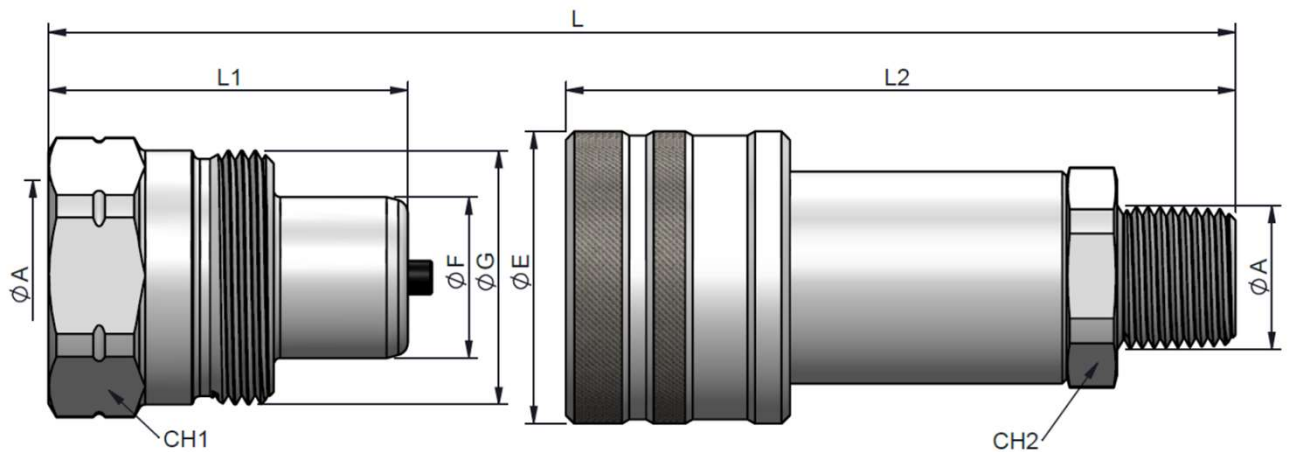
STANDARD MALE MODELS

(S)	ØA	REF.		CH1	ØG	L1	ØF	L
6	1/4" NPTF	202.11141BB	1200	27	1" - 18 h UNS	34	15.90	78.5
	1/4" NPTF	202.21121BB						

STANDARD FEMALE MODELS

(S)	ØA	REF.		CH2	L2	ØE	L
6	1/4" NPTF	202.12241BM	1200	20	63.5	29.8	78.5
	1/4" NPTF	202.22221BM					

(S) 10 - 3/8"



STANDARD MALE MODELS

(S)	ØA	REF.		CH1	ØG	L1	ØF	L
10	3/8" NPTF	202.11142BC	1200	30	1 3/16" - 12h UN	42,5	20	97,5
	3/8" NPTF	202.21122BC						

STANDARD FEMALE MODELS

(S)	ØA	REF.		CH2	L2	ØE	L
10	3/8" NPTF	202.12142BN	1200	24	79.2	34.5	97.5
	3/8" NPTF	202.22122BN					



202 SERIES HPA CAPS & PLUGS

CAPS &
PLUGS

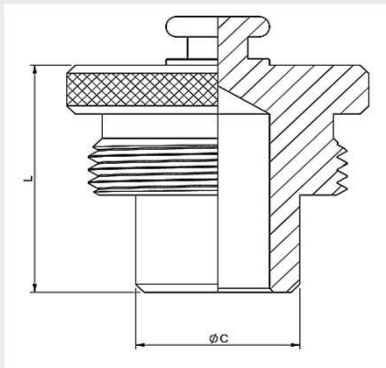
Designed to protect the female (coupler) and male (nipple) parts while disconnected.

MODEL REFERENCE / DIMENSIONS

Example:

202.6302 AA

Series	Material	Part	Color	Size	Type
202.	2 AISI 316	3 Plug	0 Metal	1 6 1/4"	AA
	5 Plastic	4 Cap	5 Black	2 10 3/8"	
	6 Aluminum				

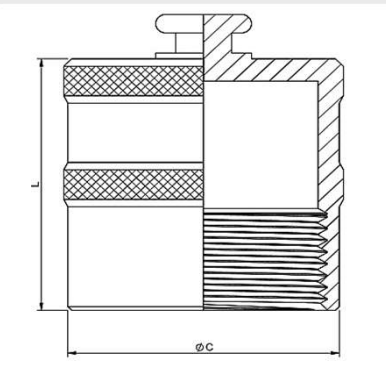


METAL PLUG

(S)	ALUMINUM	AISI 316	ØC	L
6	202.6301AA	202.2301AA	15.85	24
10	202.6302AA	202.2302AA	20	28

PLASTIC PLUG

(S)	PLASTIC	ØC	L
6	202.5351AA	15.7	24
10	202.5352AA	20	28



METAL CAP

(S)	ALUMINUM	AISI 316	ØC	L
6	202.6401AA	202.2401AA	29	28
10	202.6402AA	202.2402AA	34	34

PLASTIC PLUG

(S)	PLASTIC	ØC	L
6	202.5451AA	29	25
10	202.5452AA	34	34



202 SERIES

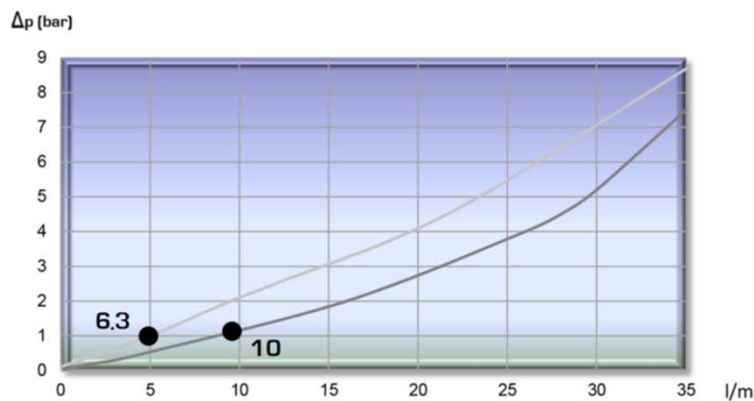
HPA

CARBON STEEL &
STAINLESS STEEL (AISI 316)

TECHNICAL DATA – Ball Type

(S)	Rated Flow l/m	Min. Burst Pressure (bar)			Max. Working Pressure Bar	Spillage Max.
		Male	Female	Coupled		
6	5	1500	2000	2200	700	0.2
10	9	1500	2000	2200	700	0.6

Test performed according to ISO 18869



TECHNICAL DATA – Poppet Type

(S)	Rated Flow l/m	Min. Burst Pressure (bar)			Max. Working Pressure Bar	Spillage Max.
		Male	Female	Coupled		
6	5	1500	2400	2400	1200	0.5
10	9	1500	2400	2800	1200	1.5

Test performed according to ISO 18869

