



120 SERIES IFR



Manufactured according ISO 5676 / ISO / TC23 / NFU 16006 norms.

TECHNICAL SPECIFICATIONS

Features:	Designed to connect the braking circuit of trailers to the hydraulic circuit of agricultural machines.														
Operating pressure:	Up to 150 Bar	Available Size:	1/2"												
Materials:	Body: Carbon Steel EN 10277-3	Working Temperature (O-rings)													
	O-rings: NBR / VITON / EPDM	<table border="1"> <thead> <tr> <th></th> <th>NBR</th> <th>Viton</th> <th>EPDM</th> </tr> </thead> <tbody> <tr> <td>+</td> <td>+100°C</td> <td>+200°C</td> <td>+150°C</td> </tr> <tr> <td>-</td> <td>-30°C</td> <td>-10°C</td> <td>-40°C</td> </tr> </tbody> </table>			NBR	Viton	EPDM	+	+100°C	+200°C	+150°C	-	-30°C	-10°C	-40°C
	NBR			Viton	EPDM										
+	+100°C			+200°C	+150°C										
-	-30°C			-10°C	-40°C										
	Back-up-ring: PTFE														
	Springs: EN 10270-1/SH														
	Balls: AISI 1010/1015	Sectors: Agricultural													
Available Threads:	BSP / NPTF / ISO 9974 (DIN 3852) THREADS ESPECIALES														
Closing System:	Flat Valve														
Connection:	Sleeve Retraction & Press to connect														
Disconnection:	Sleeve Retraction														
Connection Under Pressure:	Not Allowed														



Applications: Designed for Hydraulic Oil (Group II-2014/68/EU)

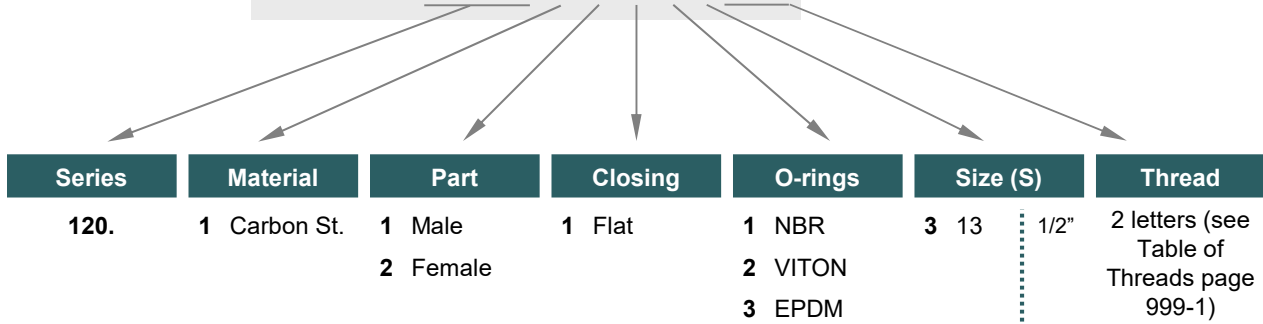
Interchange: FASTER VF - GROMELLE Q-9000

**Others upon request.*

MODEL STRUCTURE

Example:

120.11113 JE



120-1



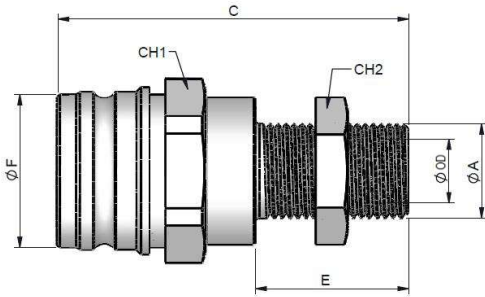


120 SERIES IFR



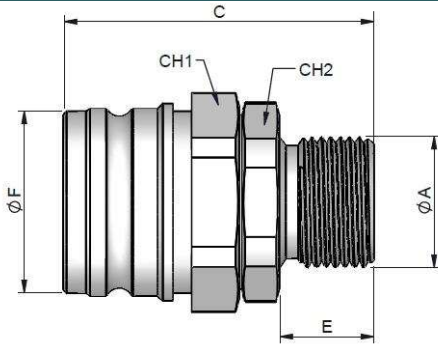
Manufactured according to ISO 5675 / ISO / TC23 / NFU 16006.

(S) 13 - 1/2" – MALE – BULKHEAD MALE THREAD



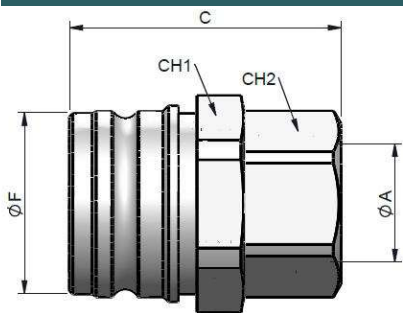
(S)	ØA	OD	REF.		CH1	CH2	C	ØF	E
13	M18x1.5	12L	120.11113LE	150	32	24	59	29	29
	M22x.15	15L	120.11113LG			27			
	1/2" BSP	-	120.11113CO						
	M20x1.5	13L	120.11113KFA						

(S) 13 - 1/2" – MALE – MALE THREAD BSP



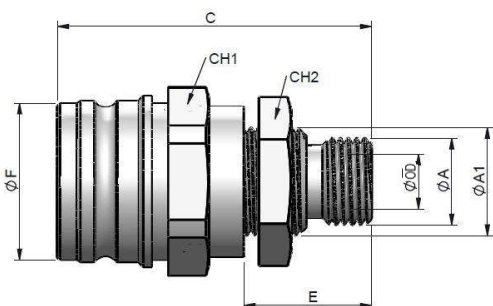
(S)	ØA	REF.		CH1	CH2	C	ØF	E
13	1/2" BSP	120.11113AO	150	32	30	49.5	29	15

(S) 13 - 1/2" – MALE – FEMALE THREAD BSP



(S)	ØA	REF.		CH1	CH2	C	ØF
13	1/2" BSP	120.11113AD	150	32	30	59.5	29

(S) 13 - 1/2" – MALE – SPECIAL BULKHEAD MALE THREAD



(S)	ØA	ØA1	OD	REF.		CH1	CH2	C	ØF	E
13	M16x1.5	M36x2	10L	120.11113JDA	150	32	27	54	29	26
	M20x1.5									

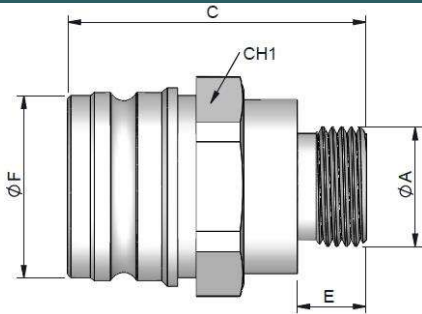


120 SERIES IFR



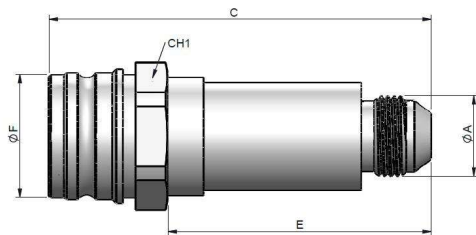
Manufactured according to ISO 5675 / ISO / TC23 / NFU 16006.

(S) 13 - 1/2" – MALE – SPECIAL MALE THREAD



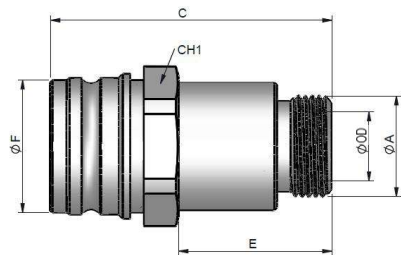
(S)	ØA	REF.		CH1	C	ØF	E
13	3/4"-16h UNF	120.11113HFA	150	32	47.50	29	19.50

(S) 13 - 1/2" – MALE – SPECIAL PROLONGED MALE THREAD



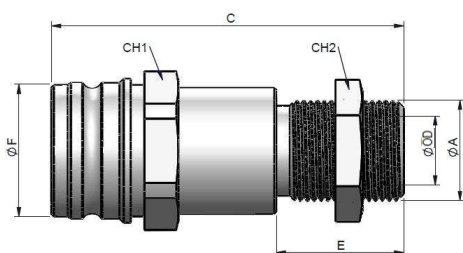
(T)	ØA	REF.		CH1	C	ØF	E
13	3/4"-16h UNF	120.11113GFA	150	32	90	29	62

(S) 13 - 1/2" – MALE – SPECIAL PROLONGED MALE THREAD



(S)	ØA	OD	REF.		CH1	C	ØF	E
13	M22X1.5	15L	120.11113JGA	150	32	61.5	29	35

(S) 13 - 1/2" – MALE – SPECIAL PROLONGED BULKHEAD MALE THREAD



(S)	ØA	OD	REF.		CH1	CH2	C	ØF	E
13	M22X1.5	15L	120.11113LGA	150	32	27	61.5	29	49.50

120-3

INTEVA reserves the right to make modifications to its products without prior notice. Any external or internal alterations to our products will automatically void the warranty.





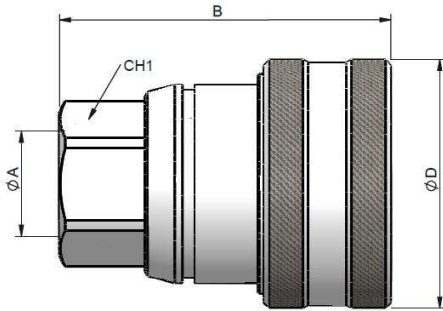
120 SERIES IFR



Manufactured according to ISO 5675 / ISO / TC23 / NFU 16006.

(S) 13 - 1/2" – FEMALE – FEMALE THREAD

Observation: Metallic parking included in all female models.

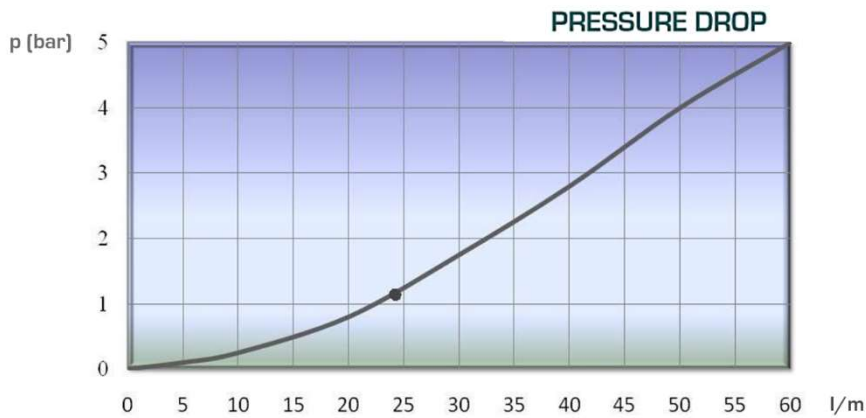


(S)	ØA	REF.		CH1	B	ØD
13	3/8" BSP	120.12113AC	150	32	60	45
	1/2" BSP	120.12113AD				
	M18x1.5	120.12113NH				
	M20x1.5	120.12113NF				

TECHNICAL DATA

(S)	Rated Flow		Min. Burst Pressure (Bar)			Max. Working Pressure	Spillage
	l/m	Male	Female	Coupled	Bar	cc	
13	24	1360	640	1260	150	13	

Test performed according to ISO 18869





120 SERIES

IFR CAPS & PARKINGS

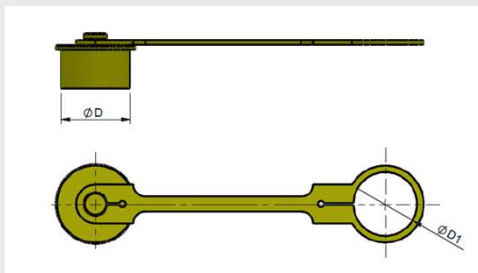
Designed to protect Female (coupler) and Male (Nipple) parts while they are disconnected.
Manufactured according to ISO 5675 / ISO / TC23 / NFU 16006

MODEL STRUCTURE / DIMENSIONS

Example:

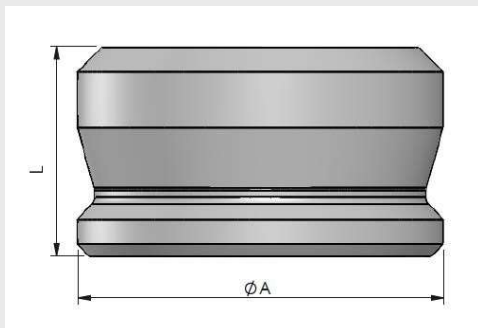
120.5433 AA

Series	Material	Part	Color	Size (S)	Type
120.	1 Carbon St. 5 Plastic	4 Cap 5 Parking	3 Yellow	3 13 : 1/2"	AA



DUST CAP

(T)	REF.	ØD	ØD1
13	120.5433AA	30	30



PARKING

(T)	REF.	L	ØA
13	120.1533AA	17	29.80

120-5

INTEVA reserves the right to make modifications to its products without prior notice. Any external or internal alterations to our products will automatically void the warranty.

