




# 120 SERIES IFR



Manufactured according ISO 5676 / ISO / TC23 / NFU 16006 norms.

## TECHNICAL SPECIFICATIONS

<b>Features:</b>	Designed to connect the braking circuit of trailers to the hydraulic circuit of agricultural machines.													
<b>Operating pressure:</b>	Up to 150 Bar	<b>Available Size:</b> 1/2"												
<b>Materials:</b>	Body: Carbon Steel EN 10277-3 O-rings: NBR / VITON / EPDM Back-up-ring: PTFE Springs: EN 10270-1/SH Balls: AISI 1010/1015	<b>Working Temperature (O-rings)</b> <table border="1"> <thead> <tr> <th></th> <th>NBR</th> <th>Viton</th> <th>EPDM</th> </tr> </thead> <tbody> <tr> <td>+</td> <td>+100°C</td> <td>+200°C</td> <td>+150°C</td> </tr> <tr> <td>-</td> <td>-30°C</td> <td>-10°C</td> <td>-40°C</td> </tr> </tbody> </table>		NBR	Viton	EPDM	+	+100°C	+200°C	+150°C	-	-30°C	-10°C	-40°C
	NBR	Viton	EPDM											
+	+100°C	+200°C	+150°C											
-	-30°C	-10°C	-40°C											
<b>Available Threads:</b>	BSP / NPTF / ISO 9974 (DIN 3852) THREADS ESPECIALES													
<b>Closing System:</b>	Flat Valve													
<b>Connection:</b>	Sleeve Retraction & Press to connect													
<b>Disconnection:</b>	Sleeve Retraction													
<b>Connection Under Pressure:</b>	Not Allowed													
		<b>Sectors: Agricultural</b> 												
		<b>Applications:</b> Designed for Hydraulic Oil (Group II-2014/68/EU) <b>Interchange:</b> FASTER VF - GROMELLE Q-9000												

*\*Others upon request.*

## MODEL STRUCTURE

Example:

### 120.11113 JE

Series	Material	Part	Closing	O-rings	Size (S)	Thread
120.	1 Carbon St.	1 Male 2 Female	1 Flat	1 NBR 2 VITON 3 EPDM	3 13   1/2"	2 letters (see Table of Threads page 999-1)

## 120-1

INTEVA reserves the right to make modifications to its products without prior notice. Any external or internal alterations to our products will automatically void the warranty.



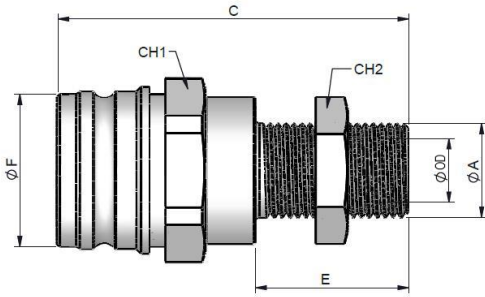


# 120 SERIES IFR



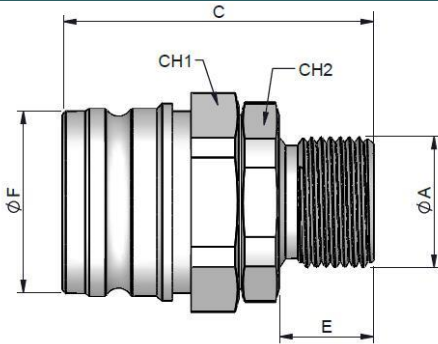
Manufactured according to ISO 5676 / ISO / TC23 / NFU 16006.

## (S) 13 - 1/2" – MALE – BULKHEAD MALE THREAD



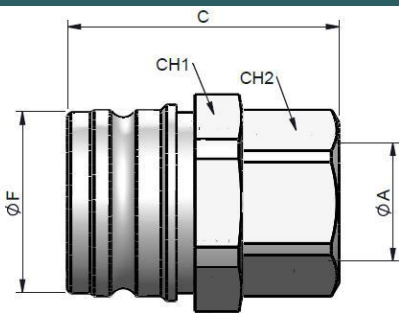
(S)	ØA	OD	REF.		CH1	CH2	C	ØF	E
13	M18x1.5	12L	120.11113LE	150	32	24	59	29	29
	M22x.15	15L	120.11113LG			27			
	1/2" BSP	-	120.11113CO						
	M20x1.5	13L	120.11113KFA						

## (S) 13 - 1/2" – MALE – MALE THREAD BSPP



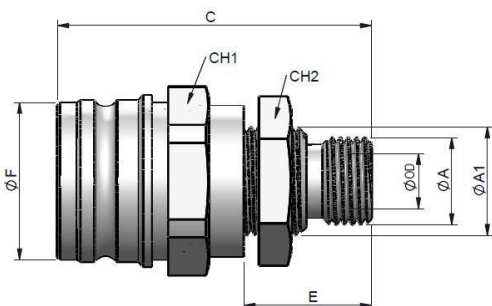
(S)	ØA	REF.		CH1	CH2	C	ØF	E
13	1/2" BSP	120.11113AO	150	32	30	49.5	29	15

## (S) 13 - 1/2" – MALE – FEMALE THREAD BSPP



(S)	ØA	REF.		CH1	CH2	C	ØF
13	1/2" BSP	120.11113AD	150	32	30	59.5	29

## (S) 13 - 1/2" – MALE – SPECIAL BULKHEAD MALE THREAD



(S)	ØA	ØA1	OD	REF.		CH1	CH2	C	ØF	E
13	M16x1.5	M36x2	10L	120.11113JDA	150	32	27	54	29	26
	M20x1.5									

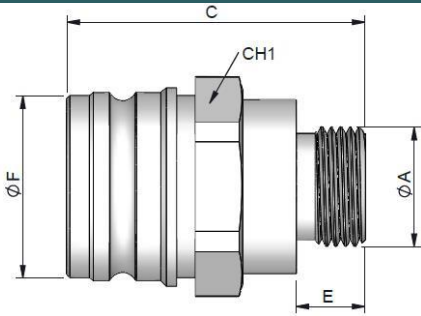


# 120 SERIES IFR



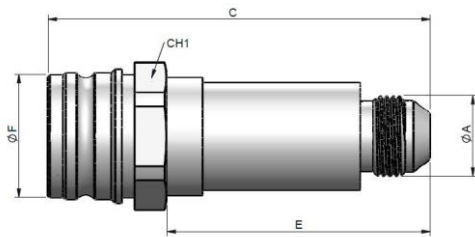
Manufactured according to ISO 5676 / ISO / TC23 / NFU 16006.

## (S) 13 - 1/2" – MALE – SPECIAL MALE THREAD



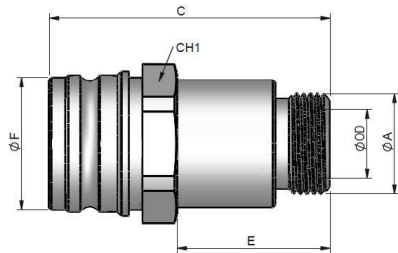
(S)	ØA	REF.		CH1	C	ØF	E
13	3/4"-16h UNF	120.11113HFA	150	32	47.50	29	19.50

## (S) 13 - 1/2" – MALE – SPECIAL PROLONGED MALE THREAD



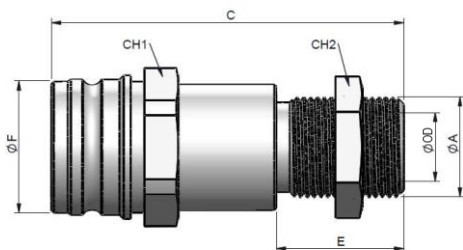
(S)	ØA	REF.		CH1	C	ØF	E
13	3/4"-16h UNF	120.11113GFA	150	32	90	29	62

## (S) 13 - 1/2" – MALE – SPECIAL PROLONGED MALE THREAD



(S)	ØA	OD	REF.		CH1	C	ØF	E
13	M22X1.5	15L	120.11113JGA	150	32	61.5	29	35

## (S) 13 - 1/2" – MALE – SPECIAL PROLONGED BULKHEAD MALE THREAD



(S)	ØA	OD	REF.		CH1	CH2	C	ØF	E
13	M22X1.5	15L	120.11113LGA	150	32	27	61.5	29	49.50



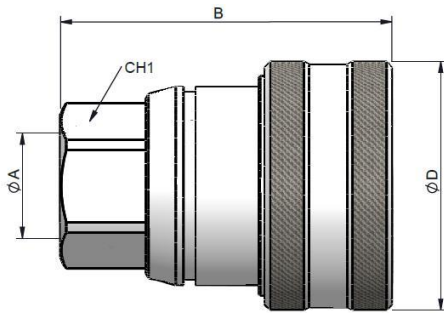
# 120 SERIES IFR



Manufactured according to ISO 5676 / ISO / TC23 / NFU 16006.

## (S) 13 - 1/2" – FEMALE – FEMALE THREAD

**Observation:** Metallic parking included in all female models.

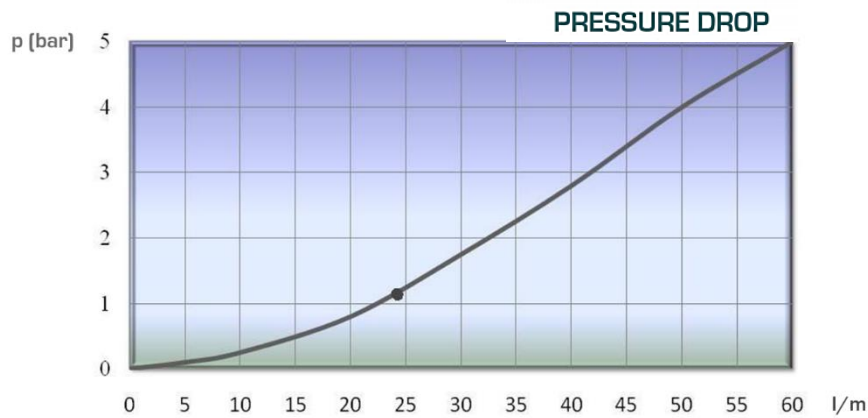


(S)	ØA	REF.		CH1	B	ØD
13	3/8" BSP	120.12113AC	150	32	60	45
	1/2" BSP	120.12113AD				
	M18x1.5	120.12113NH				
	M20x1.5	120.12113NF				

## TECHNICAL DATA

(S)	Rated Flow	Min. Burst Pressure (Bar)			Max. Working Pressure	Spillage
	l/m	Male	Female	Coupled	Bar	cc
13	24	1360	640	1260	150	13

Test performed according to ISO 18869





# 120 SERIES IFR

CAPS &  
PARKINGS

Designed to protect female (coupler) and male (nipple) parts while they are disconnected.  
Manufactured according to ISO 5676 / ISO / TC23 / NFU 16006

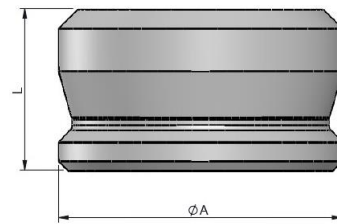
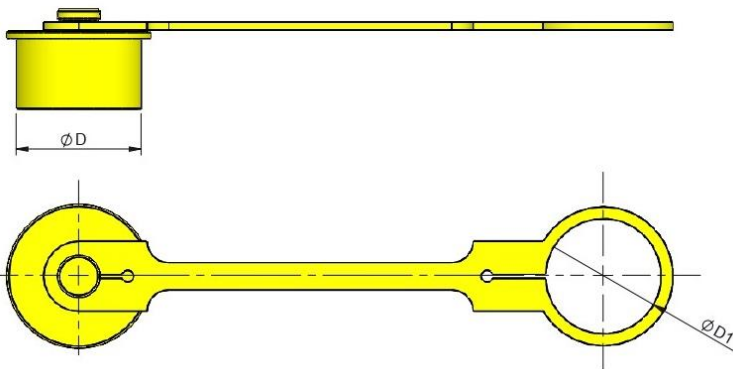
## MODEL STRUCTURE / DIMENSIONS

Example:

**120.5433 AA**

Series	Material	Part	Color	Size (S)	Type
120.	1 Carbon St. 5 Plastic	4 Cap 5 Parking	3 Yellow	3 13 : 1/2"	AA

(S) 13



DUST CAP

(S)	REF.	ØD	ØD1
13	120.5433AA	30	30

PARKING

(S)	REF.	L	ØA
13	120.1533AA	17	29.80

120-5

INTEVA reserves the right to make modifications to its products without prior notice. Any external or internal alterations to our products will automatically void the warranty.

