



150 SERIES INV HIGH FLOW



Available in other materials upon minimum order

TECHNICAL SPECIFICATIONS

Features:	High flow rate and reduced pressure drop.	
Operating pressure:	Up to 190 Bar	
Materials:	Body:	Carbon Steel EN -10277-3*
	O-rings:	NBR
	Back-up-ring:	PTFE
	Springs:	EN 10270-1/SH
	Balls:	AISI 1010/1015
Available Threads:	BSP (ORB) / NPTF*	
Closing System:	Poppet	
Connection:	Sleeve Retraction & Press to connect	
Disconnection:	Sleeve Retraction	
Connection Under Pressure:	Not Allowed	

Available Size: 3/4" y 1"

Working Temperature (O-rings)

	NBR	Viton	EPDM
+	+100°C	+200°C	+150°C
-	-30°C	-10°C	-40°C

Sectors: Industrial, Gas and Oil onshore and Offshore



Applications: Designed for Hydraulic Oil (Group II-2014/68/EU) y agua Caliente

Interchange: SNAP-TITE H / FASTER TNV

**Others upon request.*

MODEL STRUCTURE

Example:

150.12114 AEORB

Series	Material	Part	Closing	O-rings	Size (S)	Thread
150.	1 Carbon St.	1 Male 2 Female	1 Poppet	0 Without 1 NBR	4 20 5 25	3/4" 1"

2-4 letras (ver Tabla de Threads en pagina 999-1)

150-1

INTEVA reserves the right to make modifications to its products without prior notice. Any external or internal alterations to our products will automatically void the warranty.



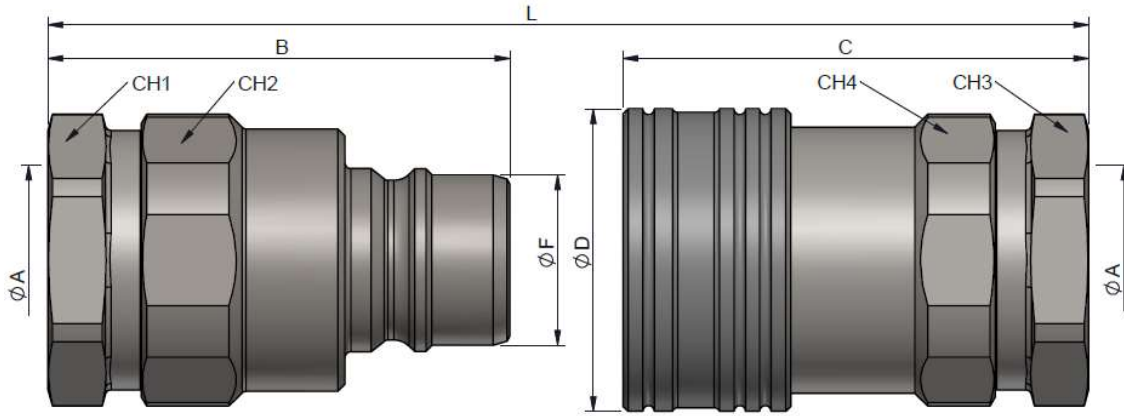


150 SERIES INV

HIGH FLOW



(S) 20 - 3/4"



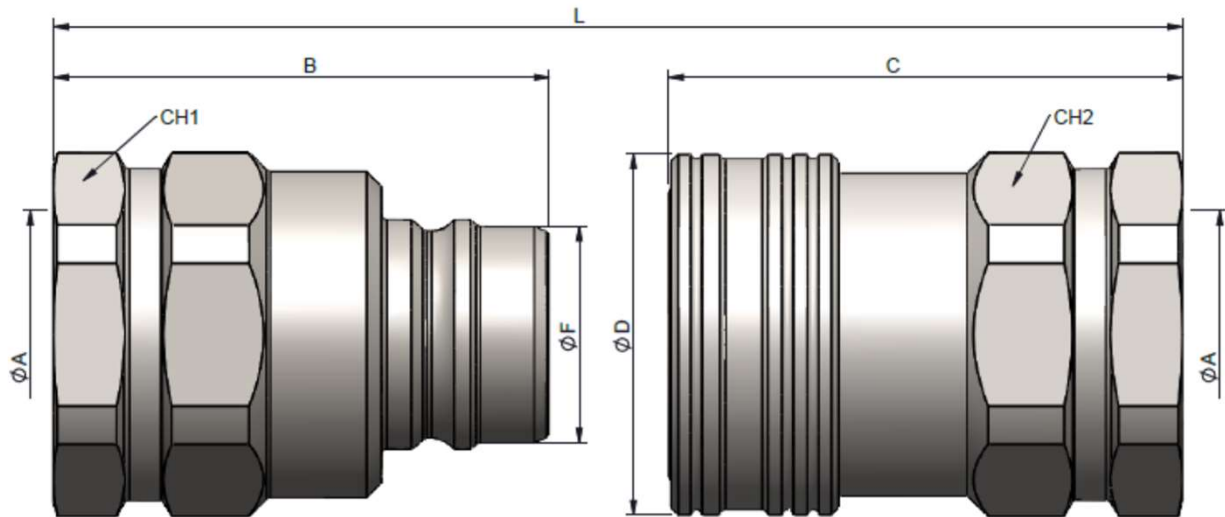
STANDARD MALE MODELS

(S)	ØA	REF.		B	CH1	CH2	ØF	L
19	3/4" BSP ORB	150.11114AEORB		63.5	36	38	23.4	105.5
	3/4" NPTF	150.11114BE						

STANDARD FEMALE MODELS

(S)	ØA	REF.		C	CH3	CH4	ØD	L
19	3/4" BSP ORB	150.12114AEORB		64	36	38	41.5	105.5
	3/4" NPTF	150.12114BE						

(S) 25 - 1"



STANDARD MALE MODELS

(S)	ØA	REF.		B	CH1	ØF	L
25	1" BSP ORB	150.11115AFORB		68	46	29.7	115.5
	1" NPTF	150.11115BF					

STANDARD FEMALE MODELS

(S)	ØA	REF.		C	CH2	ØF	L
25	1" BSP ORB	150.12115AFORB		70.5	46	49.5	115.5
	1" NPTF	150.12115BF					

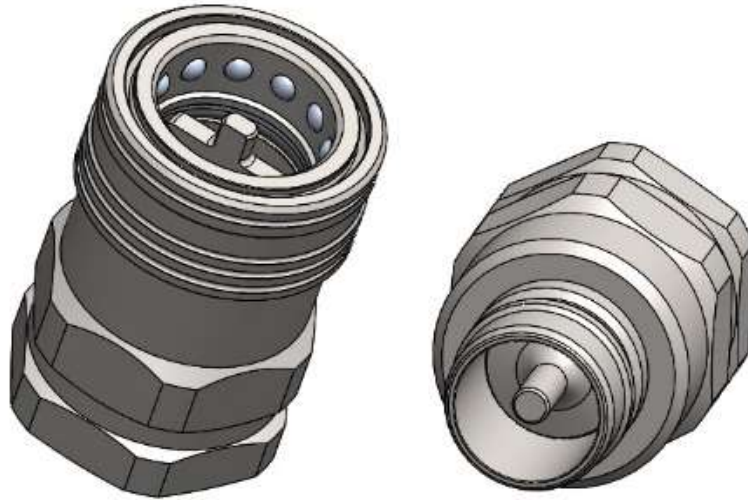


150 SERIES INV

HIGH FLOW

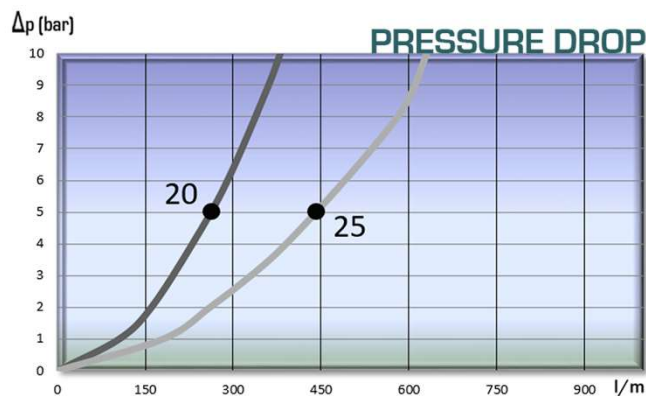


TECHNICAL DATA



(S)	Max. Flow	Connection Force N	Min. Burst Pressure (bar)			Max. Working Pressure Bar	Fluid Spillage l
	l/m		Male	Female	Coupled		
19	170	110	760	760	760	190	0.014
25	280	150	600	600	600	150	0.020

Test performed according to ISO 18869



150-3

INTEVA reserves the right to make modifications to its products without prior notice. Any external or internal alterations to our products will automatically void the warranty.

