



# 172 SERIES LKA

HIGH PRESSURE  
SAFETY SLEEVE

## TECHNICAL SPECIFICATIONS

<b>Features:</b>	Designed for high pressure applications; rescue equipment, elevators...													
<b>Operating pressure:</b>	Up to 700 Bar													
<b>Materials:</b>	Body:	Carbon Steel EN -10277-3												
	O-rings:	NBR (90 Shores)												
	Back-up-ring:	PTFE												
	Springs:	EN 10270-1/SH												
	Balls:	AISI 1010/1015												
<b>Available Threads:</b>	ANSI B1.20.1 / ISO 8431-1*													
<b>Closing System:</b>	Poppet Valve													
<b>Connection / Disconnection</b>	Safety Sleeve													
<b>Connection Under Pressure:</b>	No allowed													
	<b>Available Size:</b>	1/4"												
	<b>Working Temperature (O-rings)</b>	<table border="1"> <thead> <tr> <th></th> <th>NBR</th> <th>Viton</th> <th>EPDM</th> </tr> </thead> <tbody> <tr> <td>+</td> <td>+100°C</td> <td>+200°C</td> <td>+150°C</td> </tr> <tr> <td>-</td> <td>-30°C</td> <td>-10°C</td> <td>-40°C</td> </tr> </tbody> </table>		NBR	Viton	EPDM	+	+100°C	+200°C	+150°C	-	-30°C	-10°C	-40°C
	NBR	Viton	EPDM											
+	+100°C	+200°C	+150°C											
-	-30°C	-10°C	-40°C											
	<b>Sectors: Industrial</b>													
	<b>Applications:</b>	Designed for Hydraulic Oil (Group II-2014/68/EU)												
	<b>Interchange:</b>	LUKAS												

\*Others upon request.

## MODEL STRUCTURE

Example:

**172.11141 BNT**

Series	Material	Part	Closing	O-rings	Size (S)	Thread
170.	1 Carbon St.	1 Male 2 Female	1 Poppet	0 Without 1 NBR	1 6 1/4"	2 letters (see Table of Threads page 999-1)

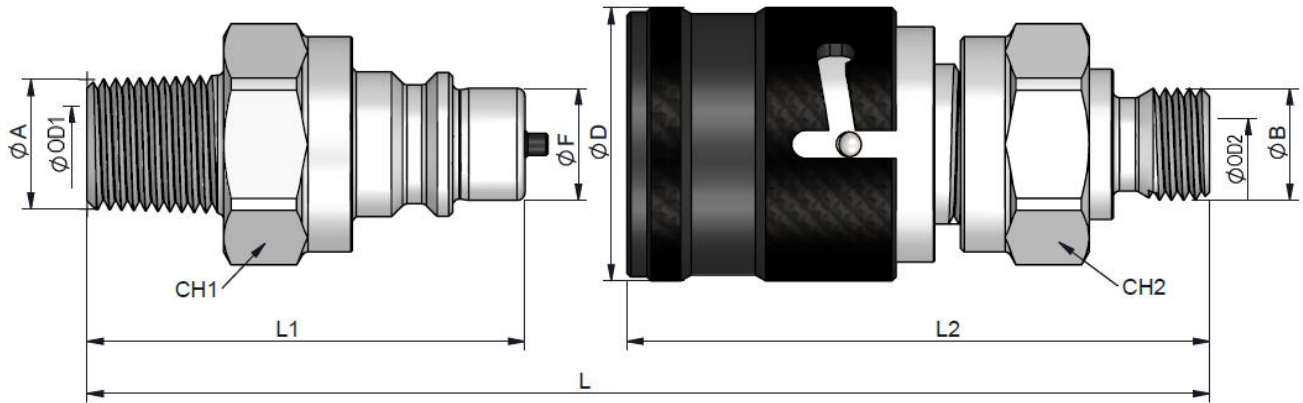
172-1



# 172 SERIES LKA

HIGH PRESSURE  
SAFETY SLEEVE

(S) 6 - 1/4"



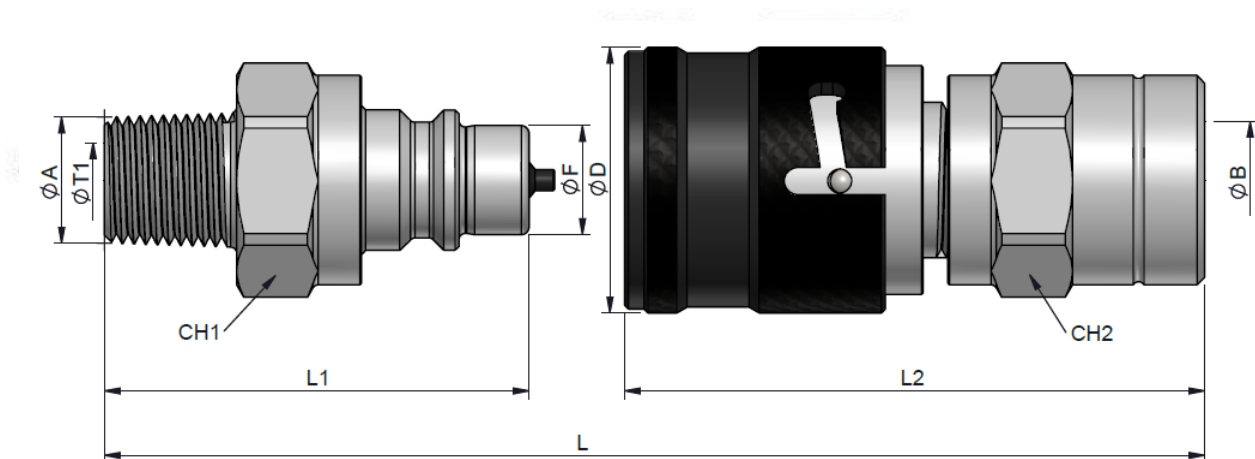
STANDARD MALE MODELS

(S)	ØA	OD1	REF.		CH1	L1	ØF	L
6	3/8" NPT	9.5	172.11141BNT	700	27	54.5	13.95	107

STANDARD FEMALE MODELS

(S)	ØB	OD2	REF.		CH2	L2	ØD	L
6	M14x1.5	6.4	172.12141KCB	700	27	71.5	34	107

(S) 6 - 1/4"



STANDARD MALE MODELS

(S)	ØA	OD1	REF.		CH1	L1	ØF	L
6	3/8" NPT	9.5	172.11141BNT	700	27	54.5	13.95	109

STANDARD FEMALE MODELS

(S)	ØB	REF.		CH2	L2	ØD	L
6	3/8" NPT	172.12141BCT	700	27	74.5	34	109

172-2

INTEVA reserves the right to make modifications to its products without prior notice. Any external or internal alterations to our products will automatically void the warranty.





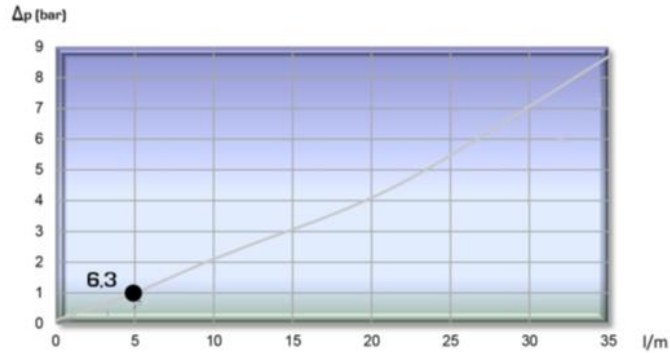
# 172 SERIES LKA

HIGH PRESSURE  
SAFETY SLEEVE

## TECHNICAL DATA

(S)	Rated Flow l/m	Min Burst Pressure (Bar)			Max. Working Pressure Bar	Cycles
		Male	Female	Coupled		
6	5	2600	2300	2600	700	100.000

Test performed according to ISO 18869



172-3

INTEVA reserves the right to make modifications to its products without prior notice. Any external or internal alterations to our products will automatically void the warranty.





# 172 SERIES LKA CAPS



Designed to protect the female and male while disconnected.

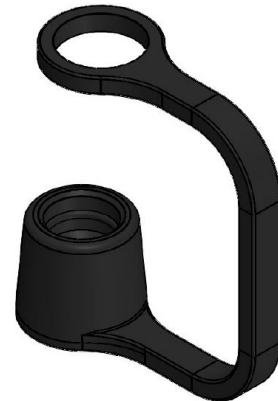
## MODEL STRUCTURE / DIMENSIONS

Example:

**172.5351 AA**

Series	Material	Part	Color	Size (S)	Type
172.	5 Plastic	3 Cap Female 4 Cap Male	5 Black	1 6 : 1/4"	AA

## (S) 6 – PLASTIC



CAP (FEMALE)

(S)	RED	BLUE	YELLOW	GREEN	BLACK	WHITE
6	*	*	*	*	172.5351AA	*

CAP (MALE)

(S)	RED	BLUE	YELLOW	GREEN	BLACK	WHITE
6	*	*	*	*	172.5451AA	*

\* Others colors available on request