



172 SERIES LKA

HIGH PRESSURE
SAFETY SLEEVE

TECHNICAL SPECIFICATIONS

Features:	Designed for high pressure applications; rescue equipment, elevators...													
Operating pressure:	Up to 700 Bar													
Materials:	Body:	Carbon Steel EN -10277-3												
	O-rings:	NBR (90 Shores)												
	Back-up-ring:	PTFE												
	Springs:	EN 10270-1/SH												
	Balls:	AISI 1010/1015												
Available Threads:	ANSI B1.20.1 / ISO 8431-1*													
Closing System:	Poppet Valve													
Connection / Disconnection	Safety Sleeve													
Connection Under Pressure:	No allowed													
	Available Size:	1/4"												
	Working Temperature (O-rings)	<table border="1"> <thead> <tr> <th></th> <th>NBR</th> <th>Viton</th> <th>EPDM</th> </tr> </thead> <tbody> <tr> <td>+</td> <td>+100°C</td> <td>+200°C</td> <td>+150°C</td> </tr> <tr> <td>-</td> <td>-30°C</td> <td>-10°C</td> <td>-40°C</td> </tr> </tbody> </table>		NBR	Viton	EPDM	+	+100°C	+200°C	+150°C	-	-30°C	-10°C	-40°C
	NBR	Viton	EPDM											
+	+100°C	+200°C	+150°C											
-	-30°C	-10°C	-40°C											
	Sectors: Industrial													
	Applications:	Designed for Hydraulic Oil (Group II-2014/68/EU)												
	Interchange:	LUKAS												

*Others upon request.

MODEL STRUCTURE

Example:

172.11141 BNT

Series	Material	Part	Closing	O-rings	Size (S)	Thread
170.	1 Carbon St.	1 Male 2 Female	1 Poppet	0 Without 1 NBR	1 6 : 1/4"	2 letters (see Table of Threads page 999-1)

172-1

INTEVA reserves the right to make modifications to its products without prior notice. Any external or internal alterations to our products will automatically void the warranty.

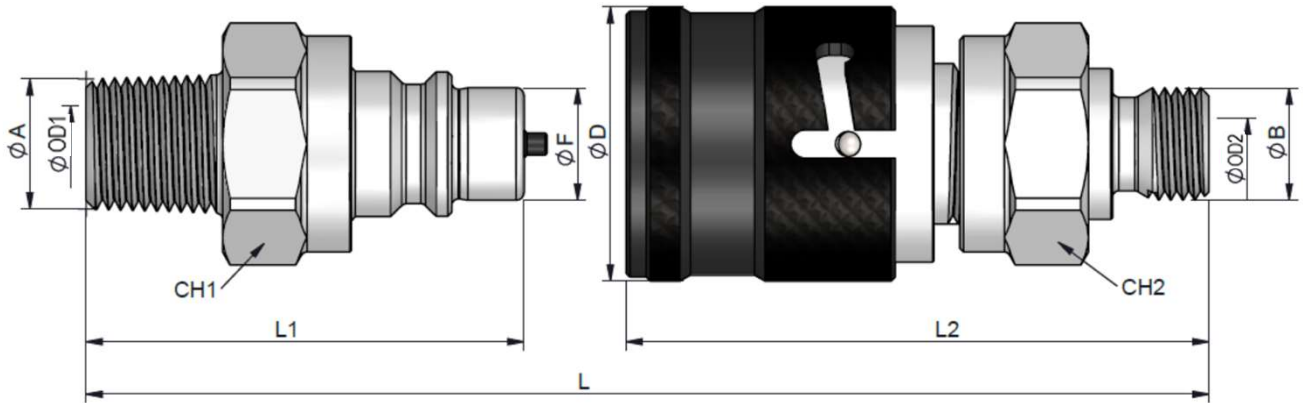




172 SERIES LKA

HIGH PRESSURE
SAFETY SLEEVE

(S) 6 - 1/4"



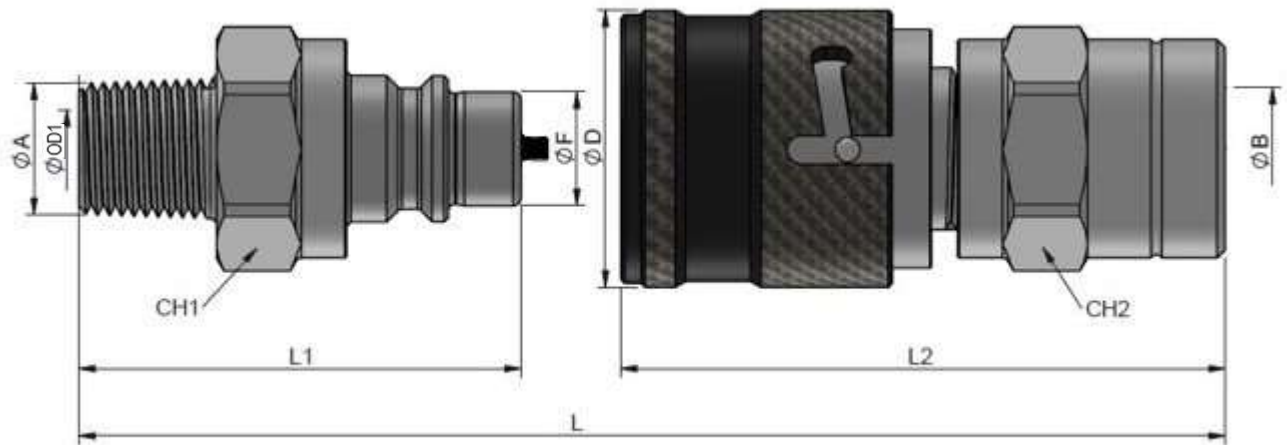
STANDARD MALE MODELS

(S)	ØA	OD1	REF.		CH1	L1	ØF	L
6	3/8" NPT	9.5	172.11141BNT	700	27	54.5	13.95	107

STANDARD FEMALE MODELS

(S)	ØB	OD2	REF.		CH2	L2	ØD	L
6	M14x1.5	6.4	172.12141KCB	700	27	71.5	34	107

(S) 6 - 1/4"



(S)	ØA	OD1	REF.		CH1	L1	ØF	L
6	3/8" NPT	9.5	172.11141BNT	700	27	54.5	13.95	109

(S)	ØB	REF.		CH2	L2	ØD	L
6	3/8" NPT	172.12141BCT	700	27	74.5	34	109

172-2

INTEVA reserves the right to make modifications to its products without prior notice. Any external or internal alterations to our products will automatically void the warranty.





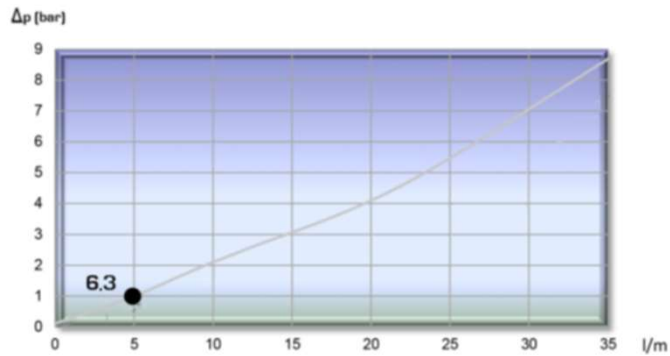
172 SERIES LKA

HIGH PRESSURE
SAFETY SLEEVE

TECHNICAL DATA

(S)	Rated Flow		Min Burst Pressure (Bar)			Max. Working Pressure	Cycles
	l/m	Male	Female	Coupled	Bar		
6	5	2600	2300	2600	700	100.000	

Test performed according to ISO 18869



172-3

INTEVA reserves the right to make modifications to its products without prior notice. Any external or internal alterations to our products will automatically void the warranty.





172 SERIES

LKA CAPS



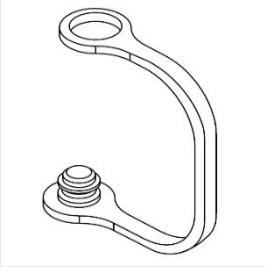
Designed to protect the Female and Male while disconnected.

MODEL STRUCTURE / DIMENSIONS


Example:

172.5351 AA

Series	Material	Part	Color	Size (S)	Type
172.	5 Plastic	3 Cap Female 4 Cap Male	5 Black	1 6 : 1/4"	AA



CAP FEMALE						
(S)	RED	BLUE	YELLOW	GREEN	BLACK	WHITE
6	*	*	*	*	172.5351AA	*



CAP MALE						
(S)	RED	BLUE	YELLOW	GREEN	BLACK	WHITE
6	*	*	*	*	172.5451AA	*

* Others colors available on request.