



# 105 SERIES PSH

ISO 7241-A  
PUSH PULL



Manufactured according to ISO 7241-A & ISO 5675 norms..

## TECHNICAL SPECIFICATIONS

<b>Operating pressure:</b>	Up to 300 Bar	
<b>Materials:</b>	Body:	Carbon Steel EN 10277-3
	O-rings:	NBR / VITON / EPDM
	Back-up-ring:	PTFE
	Springs:	EN 10270-1/SH
	Balls:	AISI 1010/1015
<b>Available Threads:</b>	BSP / NPTF / ISO 11926 (J1926)*	
<b>Closing System:</b>	Poppet Valve or Ball / C.U.R.P.	
<b>Connection / Disconnection</b>	Push / Pull	
<b>Connection Under Pressure:</b>	Not Allowed / Only C.U.R.P. version	

**Available Size:** 1/2"

**Working Temperature (O-rings)**

	NBR	Viton	EPDM
	+100°C	+200°C	+150°C
	-30°C	-10°C	-40°C

**Sectors: Industrial / Agricultural**



**Applications:** Designed for Hydraulic Oil (Group II-2014/68/EU)

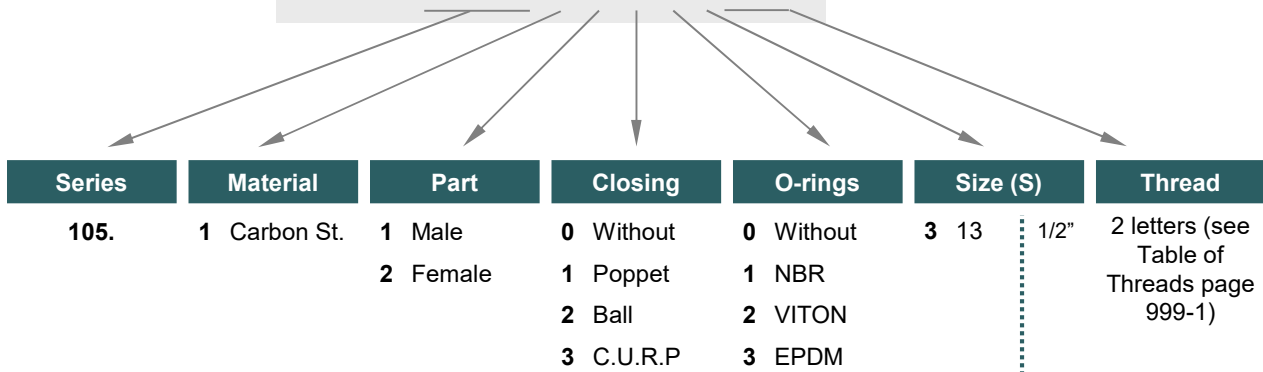
**Interchange:** FASTER PV / CPV - ARGUS SVK - PARKER 4200

*\*Others upon request.*

## MODEL STRUCTURE

**Example:**

**105.12113 BD**



**105-1**

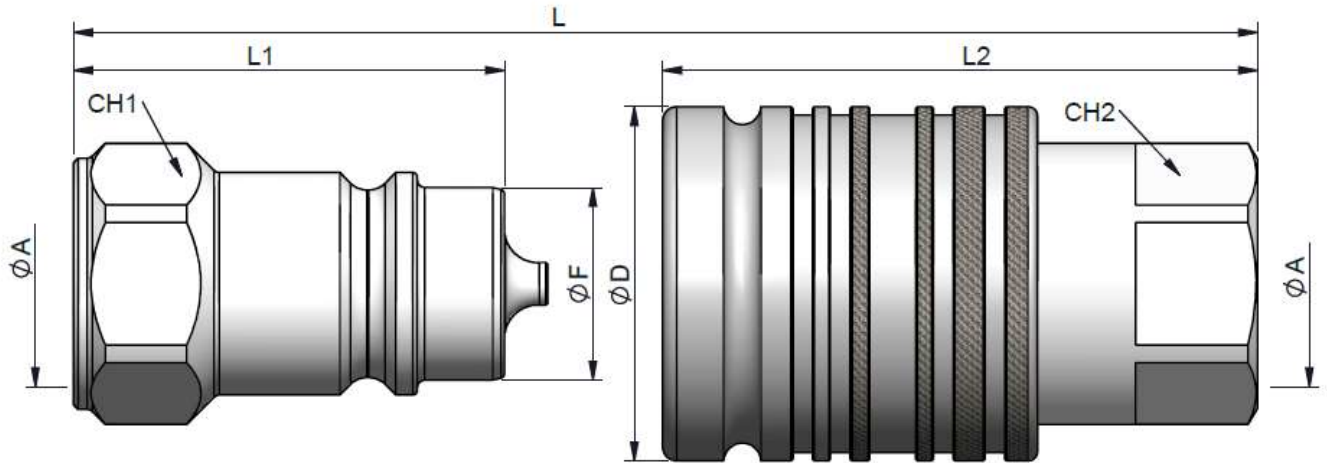
INTEVA reserves the right to make modifications to its products without prior notice. Any external or internal alterations to our products will automatically void the warranty.



# 105 SERIES PSH

ISO 7241-A  
PUSH PULL

(S) 13 - 1/2"



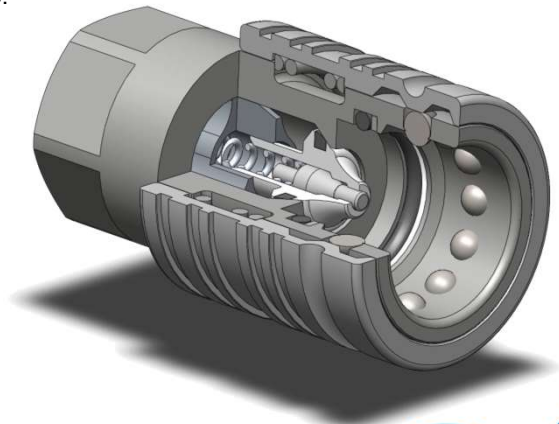
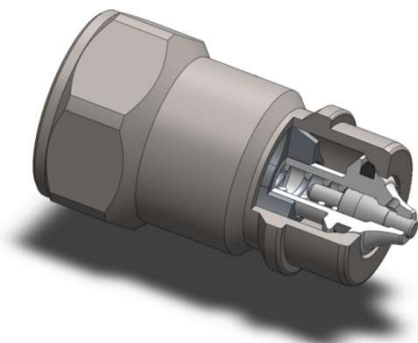
STANDARD MALE MODELS

(S)	ØA	REF.		CH1	L1	ØF	L
13	1/2" BSP	101.11113AD	300	27/30	46	20.56	87.50
	1/2" NPTF	101.11113BD					
	M22X1.5	101.11113NG					
	3/4"-16h UNF (ORB)	101.11113GF					
	7/8"-14h UNF (ORB)	101.11113GH					

STANDARD FEMALE MODELS

(S)	ØA	REF.		CH2	L2	ØD	L
13	1/2" BSP	105.12113AD	300	27	63.5	37.80	87.50
	1/2" NPTF	105.12113BD					
	M22X1.5	105.12113NG					

C.U.R.P. System available  
Allow connection under  
residual pressure.



105-2

INTEVA reserves the right to make modifications to its products without prior notice. Any external or internal alterations to our products will automatically void the warranty.



v10



# 105 SERIES PSH

PLUGS  
& CAPS



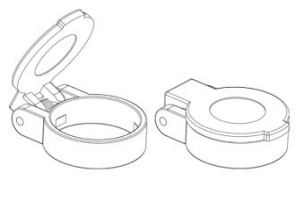
Designed to protect Female (coupler) and Male (Nipple) parts while they are disconnected.  
Manufactured according to ISO 7241-A and ISO 5675 norms.

## MODEL STRUCTURE / DIMENSIONS


Example:

### 105.5413 AA


Series	Material	Part	Color	Size (S)	Type
101.	5 Plastic	3 Plug	0 Plain Metal	3 13 ∷ 1/2"	AA
105.		4 Cap	1 Red 2 Blue 3 Yellow 4 Green 5 Black 6 White		



AUTOMATIC CAP						
(S)	RED	BLUE	YELLOW	GREEN	BLACK	WHITE
13	105.5413AA	*	*	*	*	*



PLUG (Coupler)						
(S)	RED	BLUE	YELLOW	GREEN	BLACK	WHITE
13	101.5313AA	*	*	*	*	*



CAP (Nipple)						
(S)	RED	BLUE	YELLOW	GREEN	BLACK	WHITE
13	101.5413AA	*	*	*	*	*

\*Available upon minimum order quantity