



109 SERIES SMP HIGH PRESSURE



TECHNICAL SPECIFICATIONS

Operating pressure:	Up to 410 Bar	
Materials:	Body:	Carbon Steel EN 10277-3
	O-rings:	NBR / VITON / EPDM
	Back-up-ring:	PTFE
	Springs:	EN 10270-3/-1/SH
	Balls:	AISI 1010/1015 / SS316
Available Threads:	BSP / NPTF / ISO 11926 (J1926)*	
Closing System:	Poppet Valve or ball	
Connection:	Sleeve Retraction & Press to connect	
Disconnection:	Sleeve Retraction	
Connection Under Pressure:	Not Allowed	
Applications:	Designed for Hydraulic Oil (Group II-2014/68/EU)	
Interchange:	PARKER SM Series	

Available Size: 1/4" a 3/4"

Working Temperature (O-rings)

	NBR	Viton	EPDM
	+100°C	+200°C	+150°C
	-30°C	-10°C	-40°C

Sectors:

Carbon Steel → Industrial



Stainless Steel → Industrial / Chemical / Offshore



*Others upon request.

MODEL STRUCTURE

Example:

109.12111 BB

Series	Material	Part	Closing	O-rings	Size (S)	Thread
109.	1 Carbon St.	1 Male	0 Without	0 Without	1 6	2 letters (see Table of Threads page 999-1)
	2 SS316	2 Female	1 Poppet	1 NBR	3 13	
			2 Ball	2 VITON	4 20	
				3 EPDM		

109-1

INTEVA reserves the right to make modifications to its products without prior notice. Any external or internal alterations to our products will automatically void the warranty.

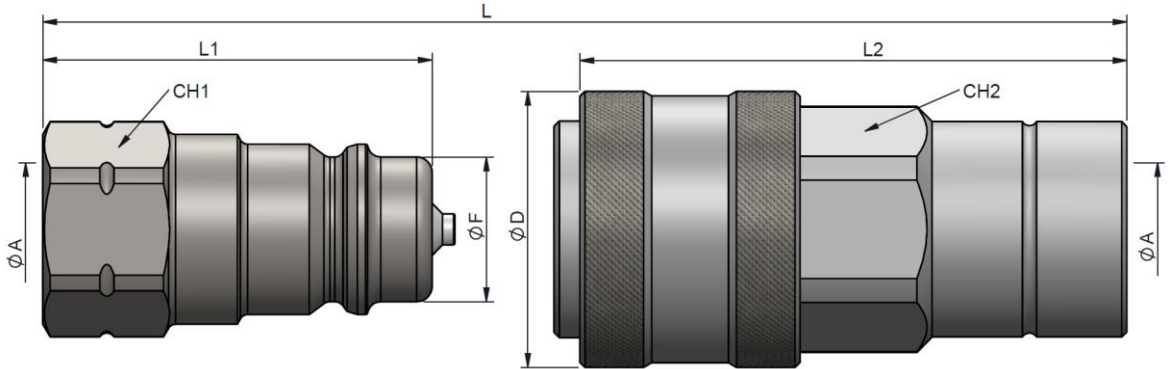




109 SERIES SMP HIGH PRESSURE



(S) 6 - 1/4"



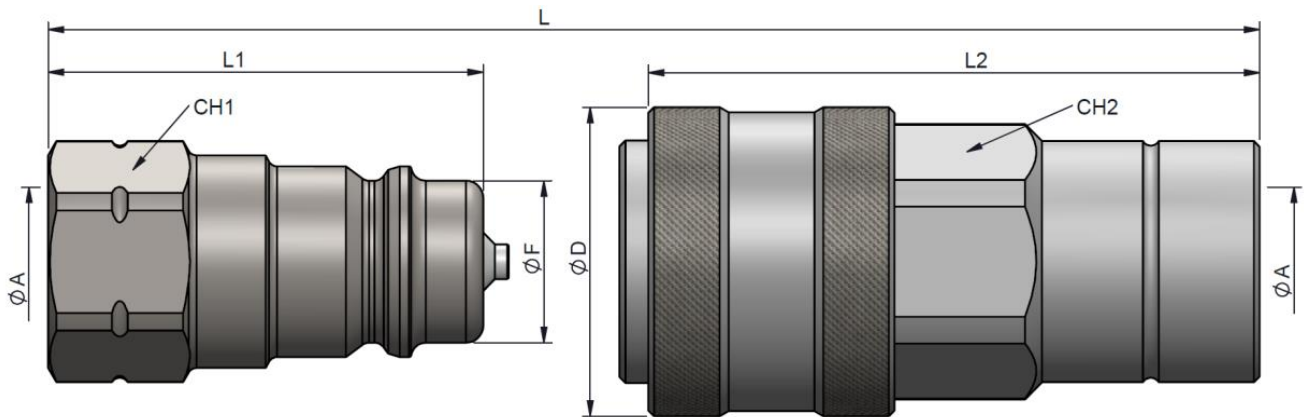
STANDARD MALE MODELS

(S)	ØA	REF.		CH1	L1	ØF	L
6	1/4" BSP	109.11111AB	410	19	38	14	76
	1/4" NPTF	109.11111BB					

STANDARD FEMALE MODELS

(S)	ØA	REF.		CH2	L2	ØD	L
6	1/4" BSP	109.12111AB	410	19	58	27	76
	1/4" NPTF	109.12111BB					

(S) 13 - 1/2"



STANDARD MALE MODELS

(S)	ØA	REF.		CH1	L1	ØF	L
13	1/2" BSP	109.11113AD	410	27	46	23.50	92
	1/2" NPTF	109.11113BD					
	3/4"- 16h UNF (ORB)	109.11113GF					
	7/8"- 14h UNF (ORB)	109.11113GH					

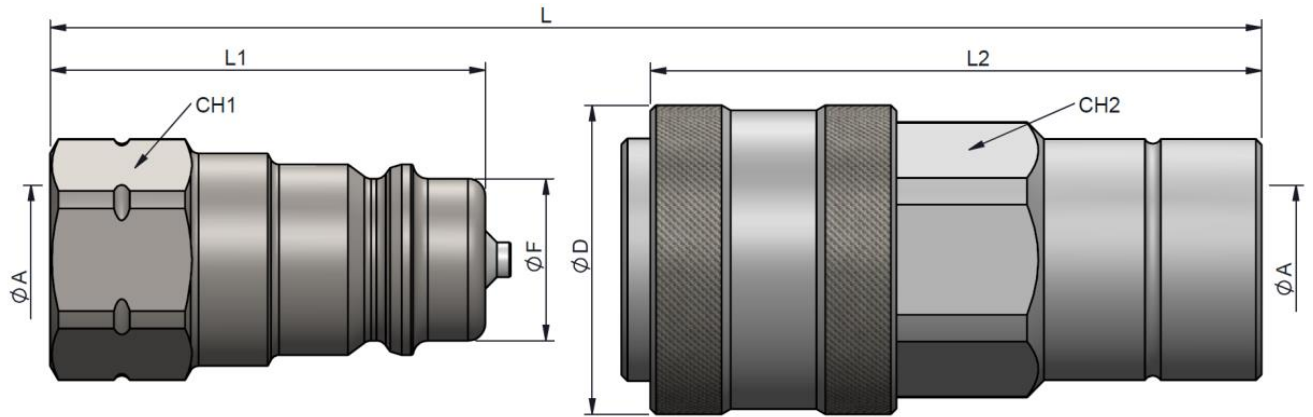
STANDARD FEMALE MODELS

(S)	ØA	REF.		CH2	L2	ØD	L
13	1/2" BSP	109.12113AD	410	27	74	42	92
	1/2" NPTF	109.12113BD					
	3/4"- 16h UNF (ORB)	109.12113GF					
	7/8"- 14h UNF (ORB)	109.12113GH					



109 SERIES SMP HIGH PRESSURE

(S) 20 - 3/4"



STANDARD MALE MODELS

(S)	ØA	REF.		CH1	L1	ØF	L
19	3/4" BSP	109.11114AE	310	36	56	31.50	112
	3/4" NPTF	109.11114BE					
	1 1/16"- 12h UN (ORB)	109.11114GK					

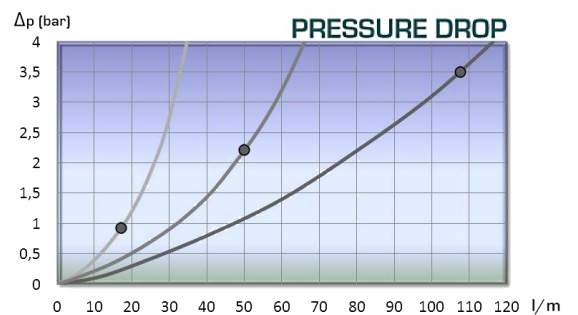
STANDARD FEMALE MODELS

(S)	ØA	REF.		CH2	L2	ØD	L
19	3/4" BSP	109.12114AE	310	36	90	52	112
	3/4" NPTF	109.12114BE					
	1 1/16"- 12h UN (ORB)	109.12114GK					

TECHNICAL DATA

(S)	Rated Flow	Min. Burst Pressure (Bar)			Max. Working Pressure Bar
		Male	Female	Coupled	
6.3	15 l/m	1500	1600	1300	410
12.5	50 l/m	1400	1500	1300	410
20	110 l/m	1250	1400	1250	310

Test performed according to ISO 18869



109-3

INTEVA reserves the right to make modifications to its products without prior notice. Any external or internal alterations to our products will automatically void the warranty.

