



# 109 SERIES SMP HIGH PRESSURE



## TECHNICAL SPECIFICATIONS

<b>Operating pressure:</b>	Up to 410 Bar	
<b>Materials:</b>	Body:	Carbon Steel EN 10277-3
	O-rings:	NBR / VITON / EPDM
	Back-up-ring:	PTFE
	Springs:	EN 10270-3/-1/SH
	Balls:	AISI 1010/1015 / 316
<b>Available Threads:</b>	BSP / NPTF / ISO 11926 (J1926)*	
<b>Closing System:</b>	Poppet Valve or ball	
<b>Connection:</b>	Sleeve Retraction & Press to connect	
<b>Disconnection:</b>	Sleeve Retraction	
<b>Connection Under Pressure:</b>	Not Allowed	
<b>Applications:</b>	Designed for Hydraulic Oil (Group II-2014/68/EU)	
<b>Interchange:</b>	PARKER SM Series	

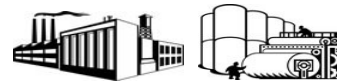
**Available Size:** 1/4" a 3/4"

### Working Temperature (O-rings)

	NBR	Viton	EPDM
	+100°C	+200°C	+150°C
	-30°C	-10°C	-40°C

### Sectors:

**Carbon Steel** → Industrial



**Stainless Steel** → Industrial / Chemical / Offshore



\*Others upon request.

## MODEL STRUCTURE

**Example:**

# 109.12111 BB

Series	Material	Part	Closing	O-rings	Size (S)	Thread
109.	1 Carbon St.	1 Male	0 Without	0 Without	1 6	2 letters (see Table of Threads page 999-1)
	2 AISI316	2 Female	1 Poppet	1 NBR	3 13	
			2 Ball	2 VITON	4 20	
				3 EPDM		

# 109-1



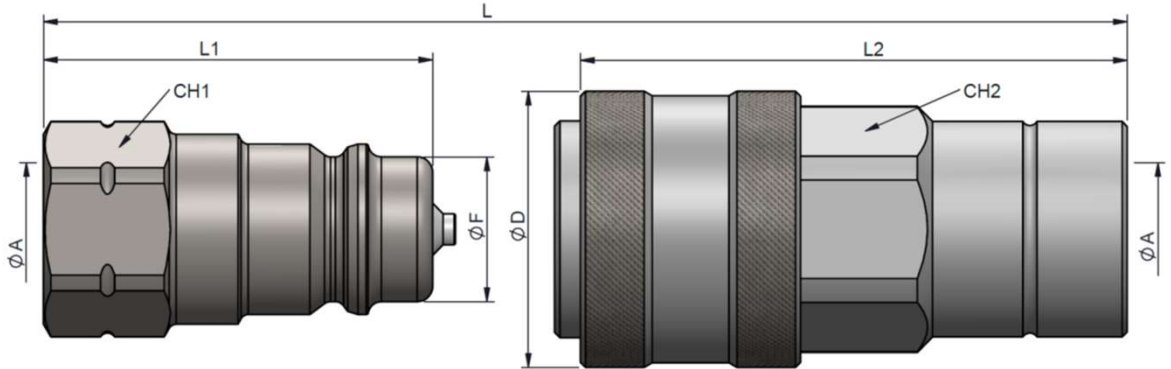
v10



# 109 SERIES SMP HIGH PRESSURE



## (S) 6 - 1/4"



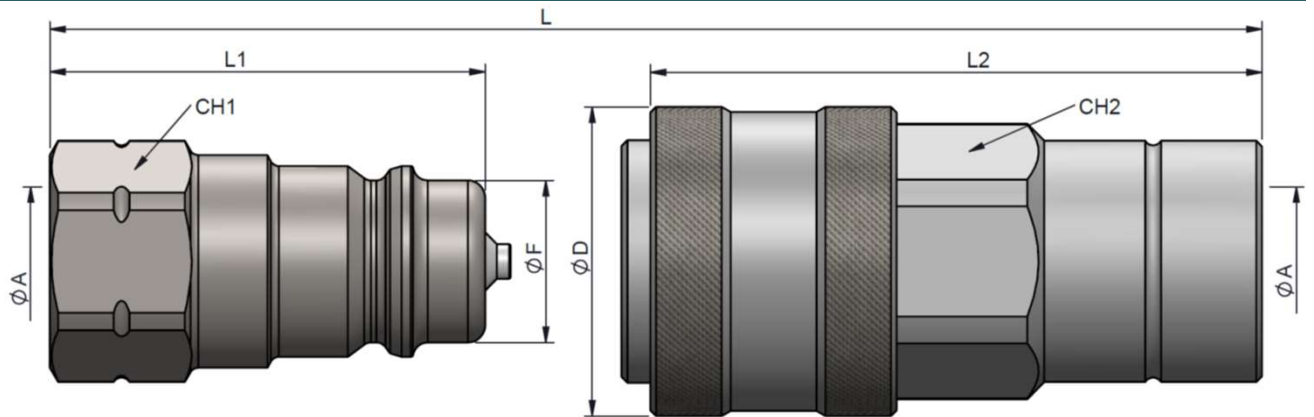
STANDARD MALE MODELS

(S)	ØA	REF.		CH1	L1	ØF	L
6	1/4" BSP	109.11111AB	410	19	38	14	76
	1/4" NPTF	109.11111BB					

STANDARD FEMALE MODELS

(S)	ØA	REF.		CH2	L2	ØD	L
6	1/4" BSP	109.12111AB	410	19	58	27	76
	1/4" NPTF	109.12111BB					

## (S) 13 - 1/2"



STANDARD MALE MODELS

(S)	ØA	REF.		CH1	L1	ØF	L
13	1/2" BSP	109.11113AD	410	27	46	23.50	92
	1/2" NPTF	109.11113BD					
	3/4" - 16h UNF (ORB)	109.11113GF					
	7/8" - 14h UNF (ORB)	109.11113GH					

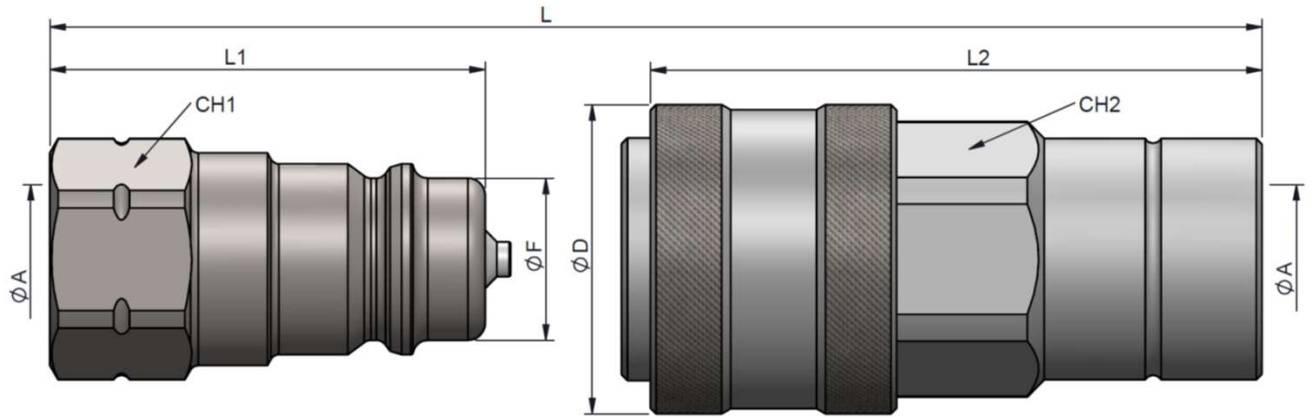
STANDARD FEMALE MODELS

(S)	ØA	REF.		CH2	L2	ØD	L
13	1/2" BSP	109.12113AD	410	27	74	42	92
	1/2" NPTF	109.12113BD					
	3/4" - 16h UNF (ORB)	109.12113GF					
	7/8" - 14h UNF (ORB)	109.12113GH					



# 109 SERIES SMP HIGH PRESSURE

(S) 20 - 3/4"



STANDARD MALE MODELS

(S)	ØA	REF.		CH1	L1	ØF	L
19	3/4" BSP	109.11114AE	310	36	56	31.50	112
	3/4" NPTF	109.11114BE					
	1 1/16"- 12h UN (ORB)	109.11114GK					

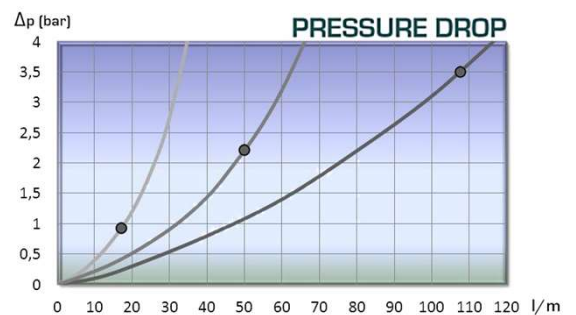
STANDARD FEMALE MODELS

(S)	ØA	REF.		CH2	L2	ØD	L
19	3/4" BSP	109.12114AE	310	36	90	52	112
	3/4" NPTF	109.12114BE					
	1 1/16"- 12h UN (ORB)	109.12114GK					

## TECHNICAL DATA

(S)	Rated Flow	Min. Burst Pressure (Bar)			Max. Working Pressure
		Male	Female	Coupled	Bar
6.3	15 l/m	1500	1600	1300	410
12.5	50 l/m	1400	1500	1300	410
20	110 l/m	1250	1400	1250	310

Test performed according to ISO 18869



109-3

INTEVA reserves the right to make modifications to its products without prior notice. Any external or internal alterations to our products will automatically void the warranty.

