



206 SERIES SRK



TECHNICAL SPECIFICATIONS

Features:

INTEVA's SRK couplings are used to connect hydraulic lines without air inclusion in the circuit and without loss of medium during disconnection. These couplings are possible to connect by hand up to around 20Bar residual pressure; when a tool is used, the coupling can also be connected / disconnected even when subjected to higher residual pressure.

Threaded connection eliminates brinellization.

Working Pressure:

Up to 420 Bar

Available Size: 3/8" a 1 1/4"

Materials:

Body: Carbon Steel EN -10277-3
Stainless Steel AISI 316

O-rings: NBR / VITON / EPDM

Back-up-ring: PTFE

Springs: EN 10270-1/SH

Balls: -

Working Temperature (O-rings)

	NBR	Viton	EPDM
+	+100°C	+200°C	+150°C
-	-30°C	-10°C	-40°C

Sectors: Industrial / Agricultural / Construction machinery



Available Threads:

DIN 2353 (ISO 8434-1)*

Closing System:

Flat Face

Connection/Disconnection:

Screw on / off both parts

Connection Under Pressure:

Residual pressure

Applications:

Designed for Hydraulic Oil (Group II-2014/68/EU)

Interchange:

ARGUS SERIE Rh /
VOSWINKEL SERIE RK

* Others available upon request

MODEL REFERENCE

Example:

206.12115 AF

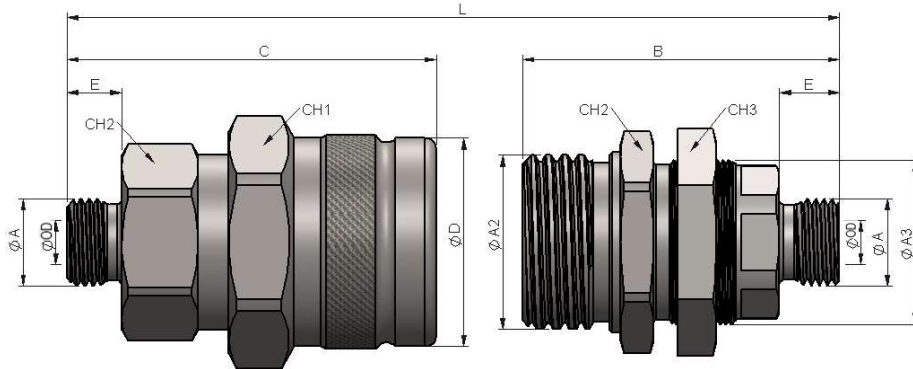
Series	Material	Part	Closing	O-rings	Size (S)	Thread
206.	1 Carbon St.	1 Male	0 Without	0 Without	2 10	3/8" 2 letters (see Thread Table on page 999-1) 1/2" 3/4" 1" 1 1/4"
	2 AISI 316	2 Female	1 Flat	1 NBR	3 13	
				2 VITON	4 20	
				3 EPDM	5 25	
					6 32	



206 SERIES SRK

CARBON STEEL
DIN 2353 (ISO 8434-1)

(S) 10 - 3/8"

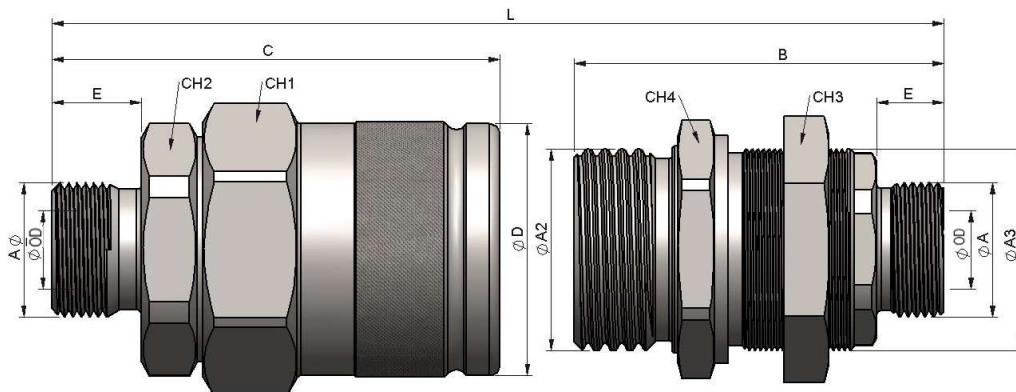


STANDARD MALE MODELS

STANDARD FEMALE MODELS

(S)	ØA	OD	E	L	REF.		CH1	CH2	C	ØD	REF.		ØA2	ØA3	CH2	CH3	B	
10	M14x1.5	8L	10	111.5	206.11112JC		420	41	32	67.5	38		Rd 32x3	M30x1	36	36	58	
	M16x1.5	10L	11		206.11112JD													206.12112JC
	M18x1.5	12L	11		206.11112JE													206.12112JD
	M18x1.5	10S	12		206.11112KE													206.12112JE
	M20x1.5	12S	12		206.11112KF													206.12112KE
	M22x1.5	15L	12		206.11112JG													206.12112KF
	M22x1.5	14S	12		206.11112KG													206.12112JG
	M24x1.5	16S	14		206.11112KH													206.12112KG
				206.11112KH	206.12112KH													

(S) 13 - 1/2"



STANDARD MALE MODELS

STANDARD FEMALE MODELS

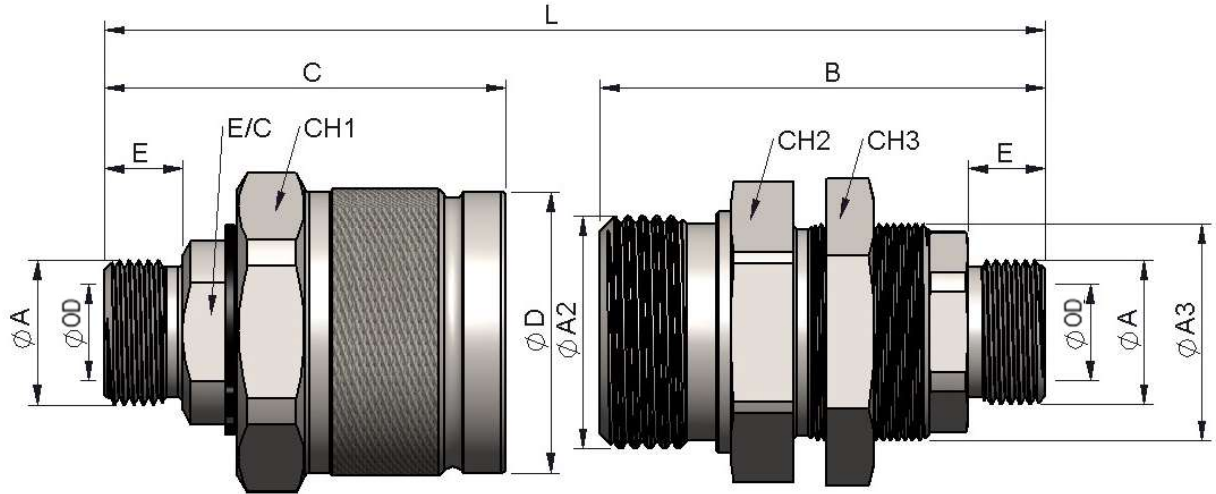
(S)	ØA	OD	E	L	REF.		CH1	CH2	C	ØD	REF.		ØA2	ØA3	CH2	CH3	B	
13	M18x1.5	12L	11	127.5	206.11113JE		420	46	41	70.5	44.8		Rd 36x3	M36x1	41	41	66	
	M22x1.5	15L	12		206.11113JG													206.12113JE
	M22x1.5	14S	12		206.11113KG													206.12113JG
	M24x1.5	16S	14		206.11113KH													206.12113KG
	M26x1.5	18L	12		206.11113JI													206.12113KH
	M30x2.0	20S	16		206.11113KJ													206.12113JI
				206.11113KJ	206.12113KJ													



206 SERIES SRK

CARBON STEEL
DIN 2353 (ISO 8434-1)

(S) 20 - 3/4"

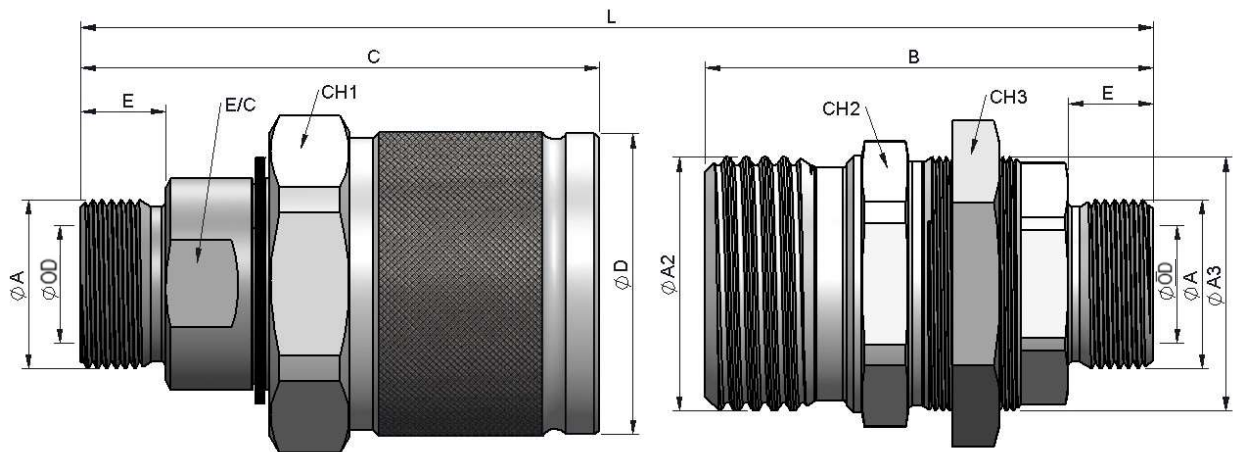


STANDARD MALE MODELS

STANDARD FEMALE MODELS

(S)	ØA	OD	E	L	REF.		CH1	E/C	C	ØD	REF.		ØA2	ØA3	CH2	CH3	B
20	M26x1.5	18L	12	140	206.11114JI		420	60	83	58	206.12114JI		Rd 48x3	M45x1.5	55	55	92
	M30x2.0	22L	14		206.11114JJ						206.12114JJ						
	M30x2.0	20S	16		206.11114KJ						206.12114KJ						
	M24x1.5	16S	14		206.11114KH						206.12114KH						
	M36x2.0	25S	18		206.11114KK						206.12114KK						

(S) 25 - 1"



STANDARD MALE MODELS

STANDARD FEMALE MODELS

(S)	ØA	OD	E	L	REF.		CH1	E/C	C	ØD	REF.		ØA2	ØA3	CH2	CH3	B
25	M30x2.0	22L	14	184	206.11115JJ		350	65	110	63.9	206.12115JJ		Rd 54x4	M54x1.5	55	60	95
	M30x2.0	20S	16		206.11115KJ						206.12115KJ						
	M36x2.0	28L	14		206.11115JK						206.12115JK						
	M36x2.0	25S	18		206.11115KK						206.12115KK						
	M42x2.0	30S	20		206.11115KL						206.12115KL						

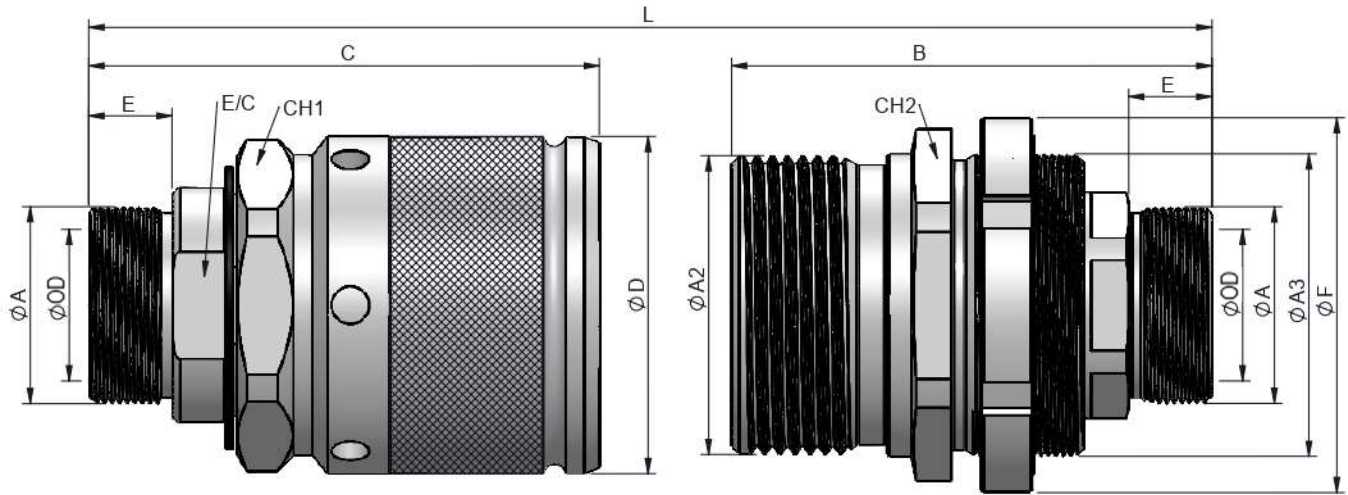


206 SERIES SRK

CARBON STEEL
DIN 2353 (ISO 8434-1)



(S) 32 - 1 1/4"



STANDARD MALE MODELS

STANDARD FEMALE MODELS

(S)	ØA	OD	E	L	REF.		CH1	E/C	C	ØD	REF.		ØA2	ØA3	CH2	ØF	B	
32	M45x2	35L	14	223	206.11116JM		420	80	55	135	89	206.12116JM		Rd 79x4	M80x2	85	100	127
	M52x2	38S	16		206.11116KN							206.12116KN						
	M52.2.0	42L	14		206.11116JN							206.12116JN						



206 SERIES SRK

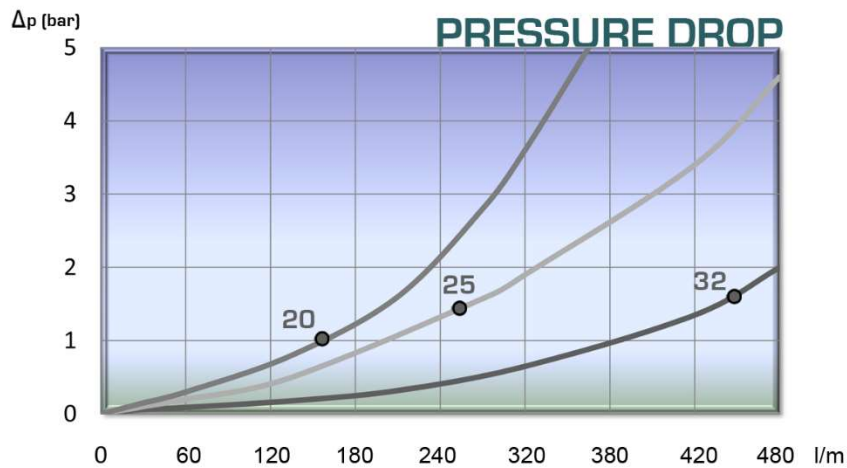
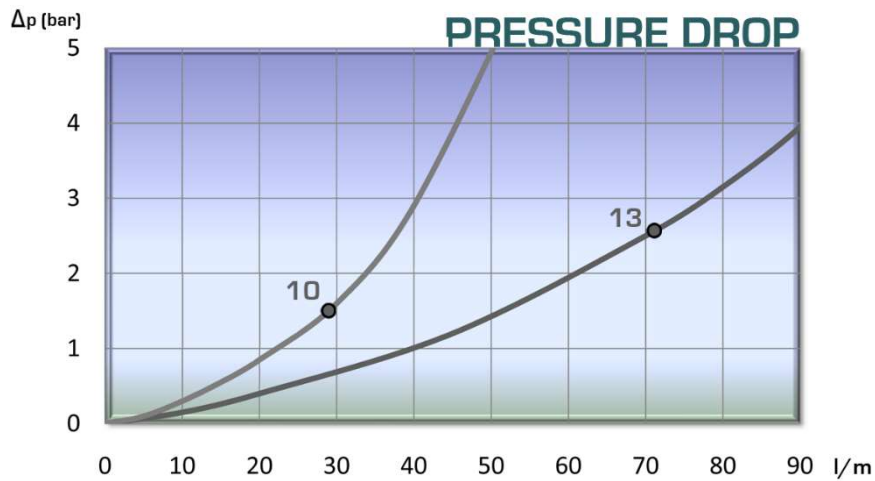
CARBON STEEL
DIN 2353 (ISO 8434-1)



TECHNICAL DATA

(S)	Rated Flow	Min. Burst Pressure (bar)			Max. Working Pressure
		Male	Female	Connected	
10	29 l/m	1500	1580	1600	420
13	72 l/m	1200	1150	1200	420
20	135 l/m	1250	1300	1280	420
25	250 l/m	1200	1150	1200	350
32	430 l/m	1550	1600	1680	420

Test performed according to ISO 18869





206 SERIES SRK

CAPS &
PLUGS



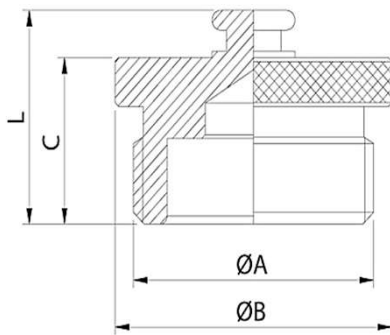
Designed to protect the female (coupler) and male (nipple) parts while disconnected.

MODEL REFERENCE

Example:

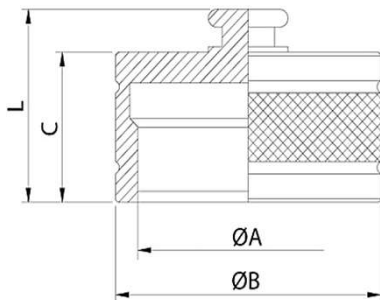
206.6403 AA

Series	Material	Part	Color	Size	Type
205.	2 AISI 316	3 Plug	0 Metal	2 10 3/8"	AA
	5 Aluminum	4 Cap		3 13 1/2"	
				4 20 3/4"	
				5 25 1"	
				6 32 1 1/4"	



PLUG

(S)	REF.	ØA	ØB	C
10	206.6302AA	32x3	39	25
13	206.6303AA	36x3	44.5	25
20	206.6304AA	48x3	59	32
25	206.6305AA	54x4	64	39
32	206.6306AA	79x4	89.5	44



CAP

(S)	REF.	ØA	ØB	C
10	206.6402AA	32x3	39	26
13	206.6403AA	36x3	44.5	24
20	206.6404AA	48x3	59	34
25	206.6405AA	54x4	64	42
32	206.6406AA	79x4	89.5	74