



# 206 SERIES SRK



## TECHNICAL SPECIFICATIONS

### Features:

INTEVA's SRK couplings are used to connect hydraulic lines without air inclusion in the circuit and without loss of medium during disconnection. These couplings are possible to connect by hand up to around 20Bar residual pressure; when a tool is used, the coupling can also be connected / disconnected even when subjected to higher residual pressure.

Threaded connection eliminates brinellization.

### Working Pressure:

Up to 420 Bar

### Materials:

|               |                                                 |
|---------------|-------------------------------------------------|
| Body:         | Carbon Steel EN -10277-3<br>Stainless Steel 316 |
| O-rings:      | NBR / VITON / EPDM                              |
| Back-up-ring: | PTFE                                            |
| Springs:      | EN 10270-1/SH                                   |
| Balls:        | -                                               |

### Available Threads:

DIN 2353 (ISO 8434-1)\*

### Closing System:

Flat Face

### Connection/Disconnection:

Screw on / off both parts

### Connection Under Pressure:

Residual pressure

**Available Size:** 3/8" a 1 1/4"

### Working Temperature (O-rings)

|   | NBR    | Viton  | EPDM   |
|---|--------|--------|--------|
| + | +100°C | +200°C | +150°C |
| - | -30°C  | -10°C  | -40°C  |

**Sectors:** Industrial / Agricultural / Construction machinery



### Applications:

Designed for Hydraulic Oil (Group II-2014/68/EU)

### Interchange:

ARGUS SERIE Rh /  
VOSWINKEL SERIE RK

\* Others available upon request

## MODEL REFERENCE

Example:

# 206.12115 AF

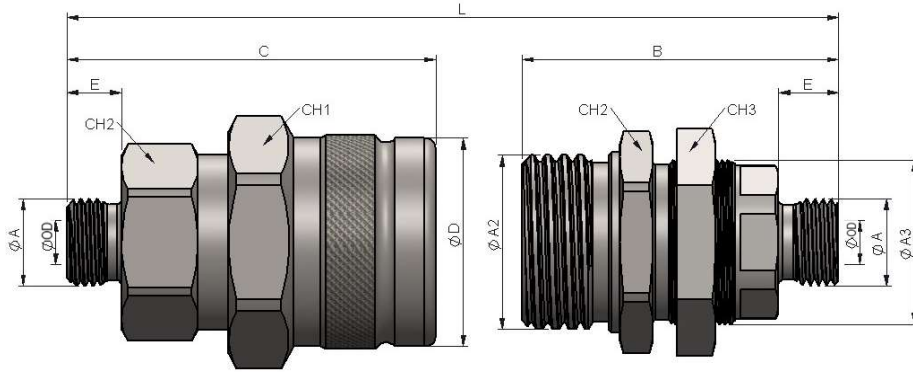
| Series | Material     | Part     | Closing   | O-rings   | Size (S) | Thread                                                                          |
|--------|--------------|----------|-----------|-----------|----------|---------------------------------------------------------------------------------|
| 206.   | 1 Carbon St. | 1 Male   | 0 Without | 0 Without | 2 10     | 3/8" 2 letters (see Thread Table on page 999-1)<br>1/2"<br>3/4"<br>1"<br>1 1/4" |
|        | 2 SS316      | 2 Female | 1 Flat    | 1 NBR     | 3 13     |                                                                                 |
|        |              |          |           | 2 VITON   | 4 20     |                                                                                 |
|        |              |          |           | 3 EPDM    | 5 25     |                                                                                 |
|        |              |          |           |           | 6 32     |                                                                                 |



# 206 SERIES SRK

CARBON STEEL  
DIN 2353 (ISO 8434-1)

(S) 10 - 3/8"

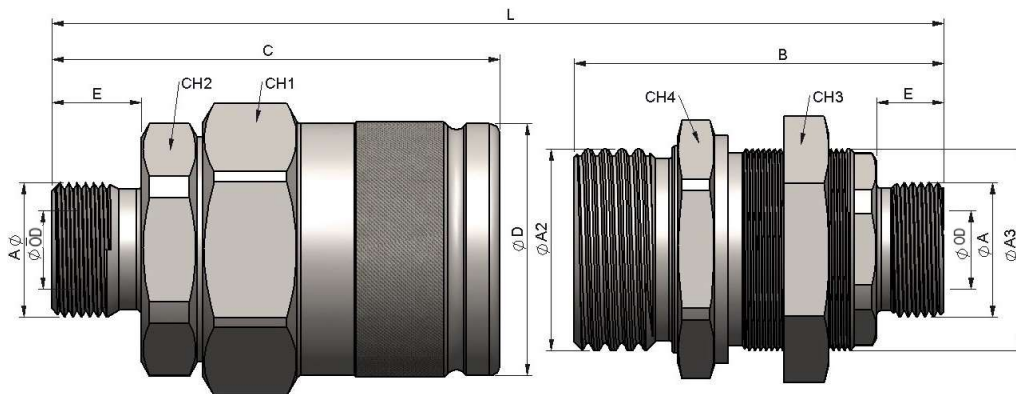


STANDARD MALE MODELS

STANDARD FEMALE MODELS

| (S) | ØA      | OD  | E  | L     | REF.        |  | CH1 | CH2 | C  | ØD   | REF. |  | ØA2     | ØA3   | CH2 | CH3 | B  |             |             |
|-----|---------|-----|----|-------|-------------|--|-----|-----|----|------|------|--|---------|-------|-----|-----|----|-------------|-------------|
| 10  | M14x1.5 | 8L  | 10 | 111.5 | 206.11112JC |  | 420 | 41  | 32 | 67.5 | 38   |  | Rd 32x3 | M30x1 | 36  | 36  | 58 |             |             |
|     | M16x1.5 | 10L | 11 |       | 206.11112JD |  |     |     |    |      |      |  |         |       |     |     |    | 206.12112JC | 206.12112JD |
|     | M18x1.5 | 12L | 11 |       | 206.11112JE |  |     |     |    |      |      |  |         |       |     |     |    | 206.12112JE | 206.12112JE |
|     | M18x1.5 | 10S | 12 |       | 206.11112KE |  |     |     |    |      |      |  |         |       |     |     |    | 206.12112KE | 206.12112KE |
|     | M20x1.5 | 12S | 12 |       | 206.11112KF |  |     |     |    |      |      |  |         |       |     |     |    | 206.12112KF | 206.12112KF |
|     | M22x1.5 | 15L | 12 |       | 206.11112JG |  |     |     |    |      |      |  |         |       |     |     |    | 206.12112JG | 206.12112JG |
|     | M22x1.5 | 14S | 12 |       | 206.11112KG |  |     |     |    |      |      |  |         |       |     |     |    | 206.12112KG | 206.12112KG |
|     | M24x1.5 | 16S | 14 |       | 206.11112KH |  |     |     |    |      |      |  |         |       |     |     |    | 206.12112KH | 206.12112KH |

(S) 13 - 1/2"



STANDARD MALE MODELS

STANDARD FEMALE MODELS

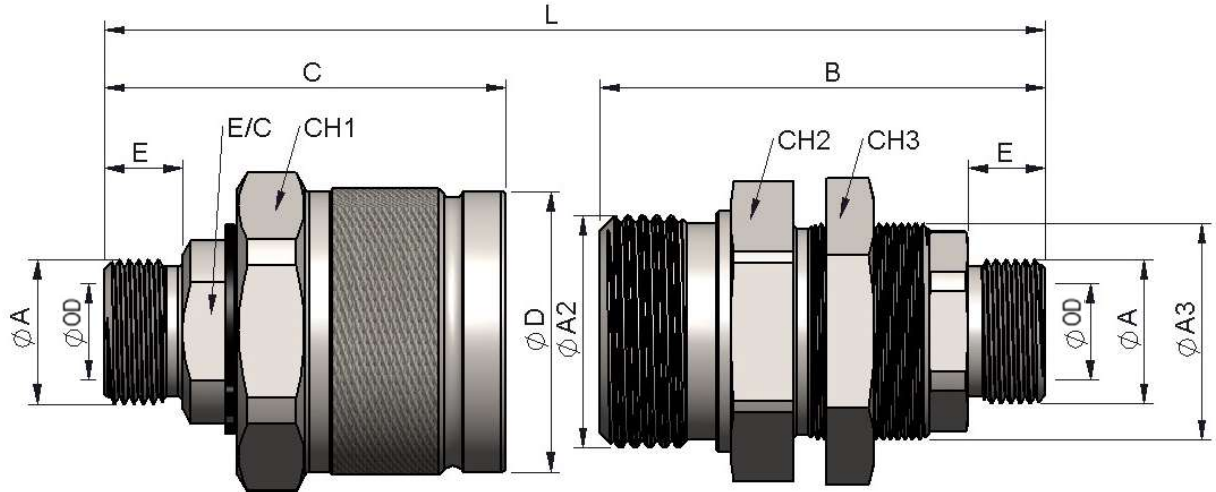
| (S) | ØA      | OD  | E  | L     | REF.        |  | CH1 | CH2 | C  | ØD   | REF. |  | ØA2     | ØA3   | CH2 | CH3 | B  |             |             |
|-----|---------|-----|----|-------|-------------|--|-----|-----|----|------|------|--|---------|-------|-----|-----|----|-------------|-------------|
| 13  | M18x1.5 | 12L | 11 | 127.5 | 206.11113JE |  | 420 | 46  | 41 | 70.5 | 44.8 |  | Rd 36x3 | M36x1 | 41  | 41  | 66 |             |             |
|     | M22x1.5 | 15L | 12 |       | 206.11113JG |  |     |     |    |      |      |  |         |       |     |     |    | 206.12113JE | 206.12113JG |
|     | M22x1.5 | 14S | 12 |       | 206.11113KG |  |     |     |    |      |      |  |         |       |     |     |    | 206.12113KG | 206.12113KG |
|     | M24x1.5 | 16S | 14 |       | 206.11113KH |  |     |     |    |      |      |  |         |       |     |     |    | 206.12113KH | 206.12113KH |
|     | M26x1.5 | 18L | 12 |       | 206.11113JI |  |     |     |    |      |      |  |         |       |     |     |    | 206.12113JI | 206.12113JI |
|     | M30x2.0 | 20S | 16 |       | 206.11113KJ |  |     |     |    |      |      |  |         |       |     |     |    | 206.12113KJ | 206.12113KJ |



# 206 SERIES SRK

CARBON STEEL  
DIN 2353 (ISO 8434-1)

(S) 20 - 3/4"

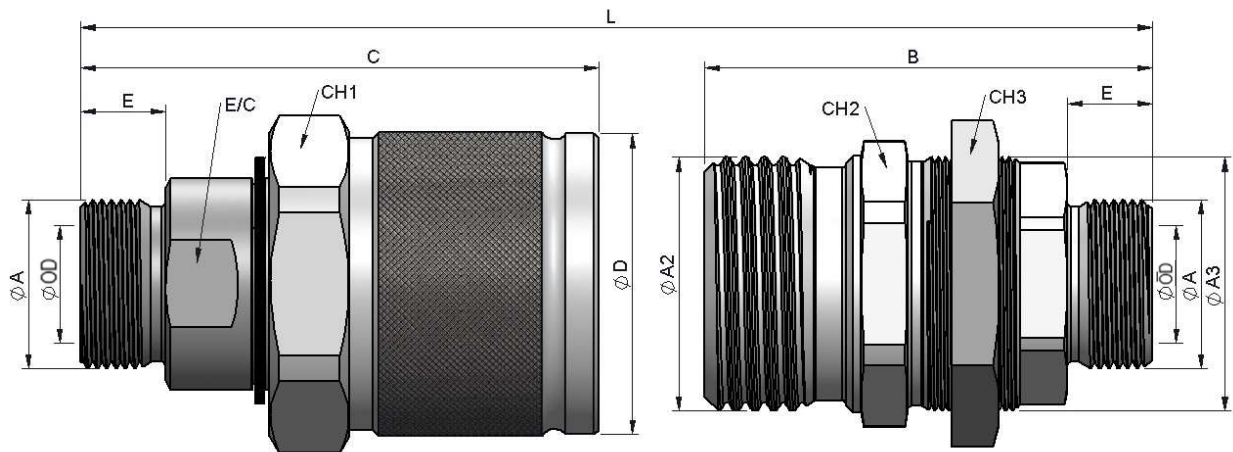


STANDARD MALE MODELS

STANDARD FEMALE MODELS

| (S) | ØA      | OD  | E  | L   | REF.        |  | CH1 | E/C | C  | ØD | REF. |     | ØA2     | ØA3     | CH2 | CH3 | B  |             |             |
|-----|---------|-----|----|-----|-------------|--|-----|-----|----|----|------|-----|---------|---------|-----|-----|----|-------------|-------------|
| 20  | M26x1.5 | 18L | 12 | 140 | 206.11114JI |  | 420 | 60  | 32 | 83 | 58   | 420 | Rd 48x3 | M45x1.5 | 55  | 55  | 92 |             |             |
|     | M30x2.0 | 22L | 14 |     | 206.11114JJ |  |     |     |    |    |      |     |         |         |     |     |    | 206.12114JI | 206.12114JJ |
|     | M30x2.0 | 20S | 16 |     | 206.11114KJ |  |     |     |    |    |      |     |         |         |     |     |    | 206.12114KJ | 206.12114KH |
|     | M24x1.5 | 16S | 14 |     | 206.11114KH |  |     |     |    |    |      |     |         |         |     |     |    | 206.12114KH | 206.12114KK |
|     | M36x2.0 | 25S | 18 |     | 206.11114KK |  |     |     |    |    |      |     |         |         |     |     |    | 206.12114KK | 206.12114KK |

(S) 25 - 1"



STANDARD MALE MODELS

STANDARD FEMALE MODELS

| (S) | ØA      | OD  | E  | L   | REF.        |  | CH1 | E/C | C  | ØD  | REF. |     | ØA2     | ØA3     | CH2 | CH3 | B  |             |             |
|-----|---------|-----|----|-----|-------------|--|-----|-----|----|-----|------|-----|---------|---------|-----|-----|----|-------------|-------------|
| 25  | M30x2.0 | 22L | 14 | 184 | 206.11115JJ |  | 350 | 65  | 41 | 110 | 63.9 | 350 | Rd 54x4 | M54x1.5 | 55  | 60  | 95 |             |             |
|     | M30x2.0 | 20S | 16 |     | 206.11115KJ |  |     |     |    |     |      |     |         |         |     |     |    | 206.12115JJ | 206.12115KJ |
|     | M36x2.0 | 28L | 14 |     | 206.11115JK |  |     |     |    |     |      |     |         |         |     |     |    | 206.12115JK | 206.12115KK |
|     | M36x2.0 | 25S | 18 |     | 206.11115KK |  |     |     |    |     |      |     |         |         |     |     |    | 206.12115KK | 206.12115KL |
|     | M42x2.0 | 30S | 20 |     | 206.11115KL |  |     |     |    |     |      |     |         |         |     |     |    | 206.12115KL | 206.12115KL |

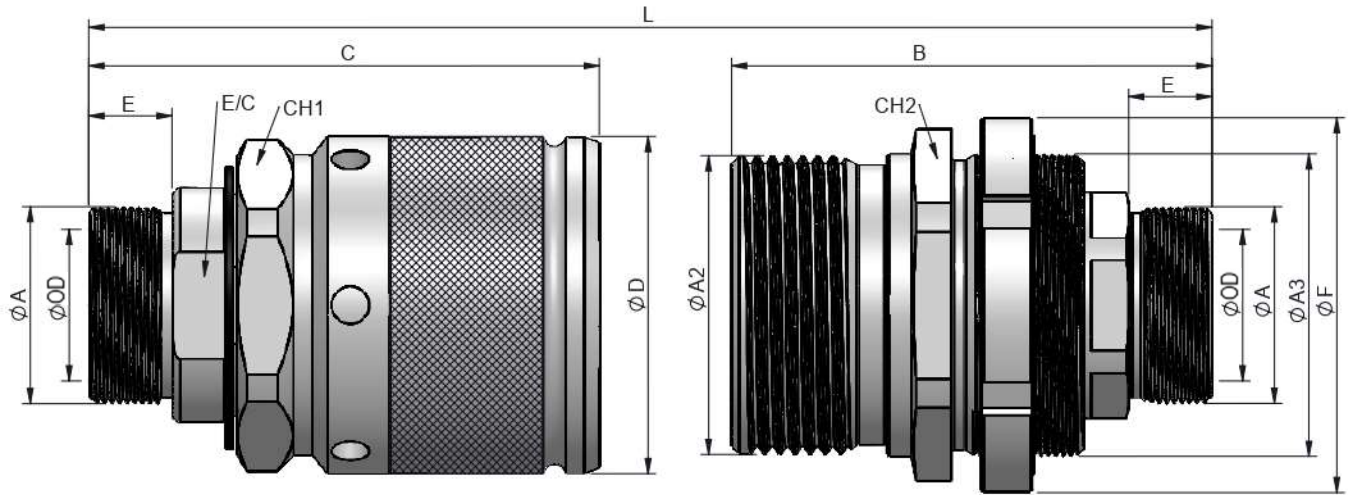


# 206 SERIES SRK

CARBON STEEL  
DIN 2353 (ISO 8434-1)





(S) 32 - 1 1/4"



### STANDARD MALE MODELS

### STANDARD FEMALE MODELS

| (S) | ØA      | OD  | E  | L   | REF.        |  | CH1 | E/C | C   | ØD | REF.        |  | ØA2     | ØA3   | CH2 | ØF  | B   |
|-----|---------|-----|----|-----|-------------|-------------------------------------------------------------------------------------|-----|-----|-----|----|-------------|---------------------------------------------------------------------------------------|---------|-------|-----|-----|-----|
| 32  | M45x2   | 35L | 14 | 223 | 206.11116JM | 420                                                                                 | 80  | 55  | 135 | 89 | 206.12116JM | 420                                                                                   | Rd 79x4 | M80x2 | 85  | 100 | 127 |
|     | M52x2   | 38S | 16 |     | 206.11116KN |                                                                                     |     |     |     |    | 206.12116KN |                                                                                       |         |       |     |     |     |
|     | M52.2.0 | 42L | 14 |     | 206.11116JN |                                                                                     |     |     |     |    | 206.12116JN |                                                                                       |         |       |     |     |     |



# 206 SERIES SRK

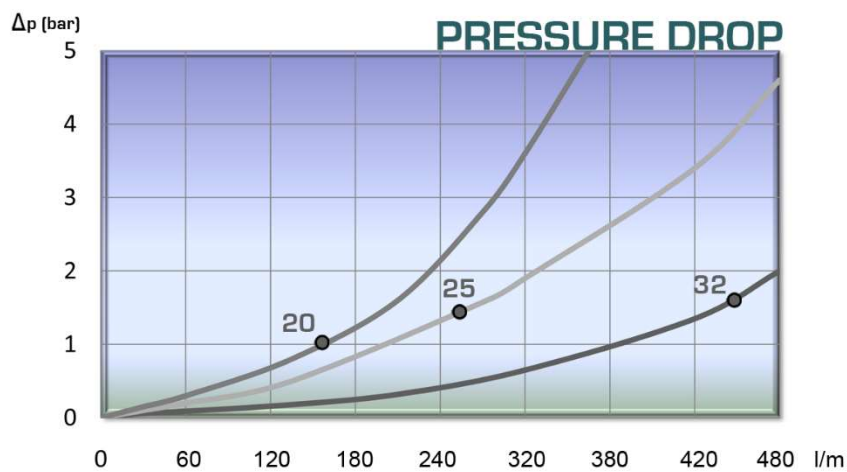
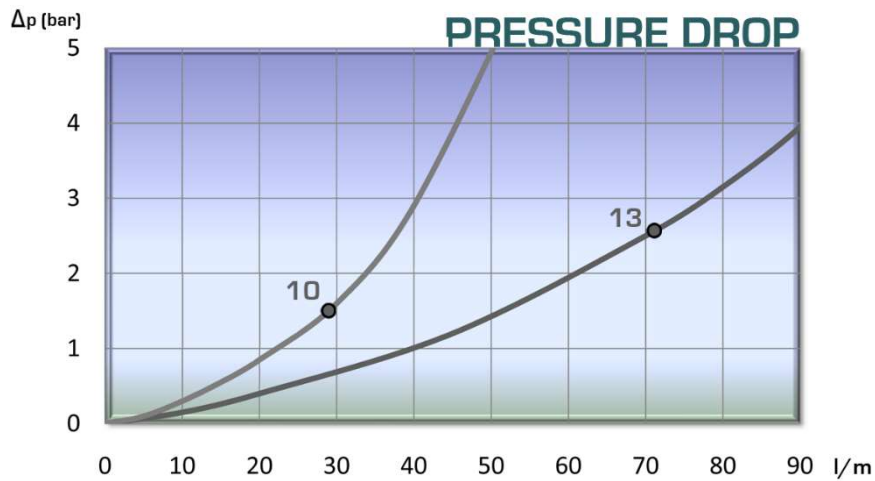
CARBON STEEL  
DIN 2353 (ISO 8434-1)



## TECHNICAL DATA

| (S) | Rated Flow | Min. Burst Pressure (bar) |        |           | Max. Working Pressure |
|-----|------------|---------------------------|--------|-----------|-----------------------|
|     |            | Male                      | Female | Connected |                       |
| 10  | 29 l/m     | 1500                      | 1580   | 1600      | 420                   |
| 13  | 72 l/m     | 1200                      | 1150   | 1200      | 420                   |
| 20  | 135 l/m    | 1250                      | 1300   | 1280      | 420                   |
| 25  | 250 l/m    | 1200                      | 1150   | 1200      | 350                   |
| 32  | 430 l/m    | 1550                      | 1600   | 1680      | 420                   |

Test performed according to ISO 18869







# 206 SERIES SRK

CAPS &  
PLUGS



Designed to protect the female (coupler) and male (nipple) parts while disconnected.

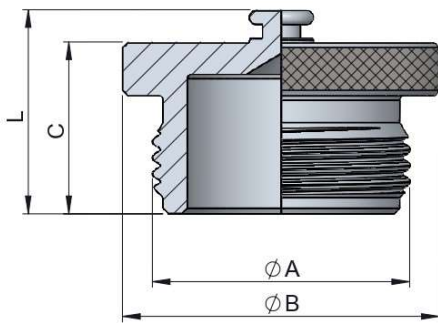
## MODEL REFERENCE

Example:

### 206.6403 AA

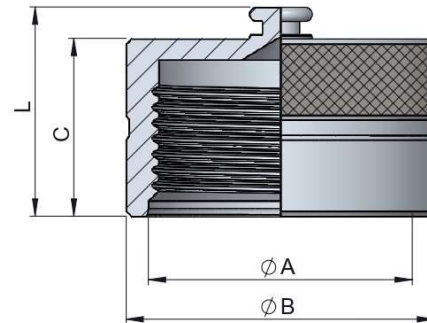
| Series | Material   | Part            | Color   | Size                                                          | Type |
|--------|------------|-----------------|---------|---------------------------------------------------------------|------|
| 205.   | 6 Aluminum | 3 Plug<br>4 Cap | 0 Metal | 2 10 3/8"<br>3 13 1/2"<br>4 20 3/4"<br>5 25 1"<br>6 32 1 1/4" | AA   |

## (S) 10 – (S) 32 - ALUMINUM



PLUG

| (S) | REF.       | ØA   | ØB   | C  |
|-----|------------|------|------|----|
| 10  | 206.6302AA | 32x3 | 39   | 25 |
| 13  | 206.6303AA | 36x3 | 44.5 | 25 |
| 20  | 206.6304AA | 48x3 | 59   | 32 |
| 25  | 206.6305AA | 54x4 | 64   | 39 |
| 32  | 206.6306AA | 79x4 | 89.5 | 44 |



CAP

| (S) | REF.       | ØA   | ØB   | C  |
|-----|------------|------|------|----|
| 10  | 206.6402AA | 32x3 | 39   | 26 |
| 13  | 206.6403AA | 36x3 | 44.5 | 24 |
| 20  | 206.6404AA | 48x3 | 59   | 34 |
| 25  | 206.6405AA | 54x4 | 64   | 42 |
| 32  | 206.6406AA | 79x4 | 89.5 | 74 |