



126 SERIES TPL HIGH FLOW



Available in other materials upon minimum order

TECHNICAL SPECIFICATIONS

Features:	High flow rate and reduced pressure drop. Designed for high pressure applications in cleaning systems.		
Operating pressure:	Up to 600 Bar		Available Size: 3/8"
Materials:	Body:	Carbon Steel EN -10277-3*	Working Temperature (O-rings)
	O-rings:	NBR / VITON	
	Back-up-ring:	PTFE	
	Springs:	EN 10270-1/SH	
	Balls:	AISI 1010/1015	
Available Threads:	BSP / NPTF*		
Closing System:	Free Flow (without valve)		
Connection:	Sleeve Retraction & Press to connect		
Disconnection:	Sleeve Retraction		
Connection Under Pressure:	Not Allowed		

	NBR	Viton	EPDM
	+100°C	+200°C	+150°C
	-30°C	-10°C	-40°C

Sectors: Industrial, High pressure cleaning systems



Applications: Designed for Hydraulic Oil & Hot Water (Group II- 2014/68/EU)

Interchange: 3/8" TEMA 3800 / KEW

*Others upon request.

MODEL STRUCTURE

Example:

126.12012 AC

Series	Material	Part	Closing	O-rings	Size (S)	Thread
126.	1 Carbon St.	1 Male	0 Without	0 Without	2 10 3/8"	2 letters (see Table of Threads page 999-1)
	2 SS316	2 Female		1 NBR		
	4 Brass		2 VITON			
	8 Carbon St. Ni.					
	9 Brass Ni.					

126-1

INTEVA reserves the right to make modifications to its products without prior notice. Any external or internal alterations to our products will automatically void the warranty.

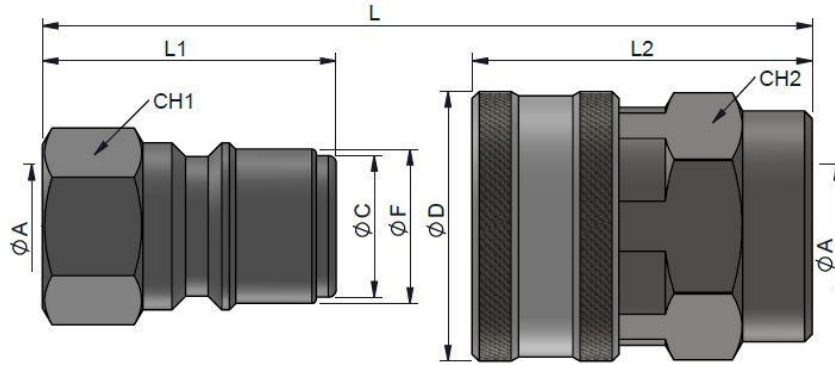




126 SERIES TPL HIGH FLOW



(S) 10 - 3/8"



STANDARD MALE MODELS

(S)	ØA	REF.		CH1	L1	ØC	ØF
10	3/8" BSP	126.11012AC	600	22	38	18	20
	3/8" NPTF	126.11012BC					

STANDARD FEMALE MODELS

(S)	ØA	REF.		CH2	L2	ØD	L
10	3/8" BSP	126.12012AC	600	30	44	35	58
	3/8" NPTF	126.12012BC					

MODEL STRUCTURE / DIMENSIONS

Example:

125.5372 AA

Series	Material	Part	Color	Size (S)	Type
125.	5 Plastic	3 Plug 4 Cap	7 Grey	2 10 3/8"	AA

(S) 6 – (S) 25 – PLASTIC



PLUG (COUPLER)



CAP (NIPPLE)

(S)	RED	BLUE	YELLOW	GREEN	BLACK	GREY
10	*	*	*	*	*	125.5372AA

(S)	RED	BLUE	YELLOW	GREEN	BLACK	GREY
10	*	*	*	*	*	125.5472AA

* Not available.

126-2

INTEVA reserves the right to make modifications to its products without prior notice. Any external or internal alterations to our products will automatically void the warranty.

