

# 402 SERIES

## V2MT

2 WAY BALL VALVES: M – M  
 CARBON STEEL  
 DIN 2353 (ISO 8434-1)

### TECHNICAL SPECIFICATIONS

**Operating pressure:** Up to 500 Bar

**Available Sizes:** 1/4" a 1"

<b>Materials:</b>	Body:	Carbon Steel EN 10277-3
	O-rings:	NBR / VITON / EPDM
	Ball seats:	Polyamide 6
	Handle:	Zamak - 5

#### Working Temperature (O-rings)

	NBR	Viton	EPDM
	+100°C	+200°C	+150°C
	-30°C	-10°C	-40°C

**Available Threads:** DIN 2353 (ISO 8434-1)

**Sectors:** Industrial / Agricultural

**Anchoring System:** Mounting H / ISO 5211 (Mounting actuators)



**Applications:** Designed for oil hydraulic (Group II- 2014/68/EU)

**Interchange:** PISTER BKH / MHA BKA / HYDAC KHB / DMIC DVH

### MODEL STRUCTURE

Example:

**402.1113 JG**

Series	Material	Mounting H.	O-rings	Size (S)	Thread
402.	1 Carbon St.	0 No	1 NBR	1 6	1/4"
		1 Yes	2 VITON	2 10	3/8"
			3 EPDM	3 13	1/2"
				4 20	3/4"
				5 25	1"

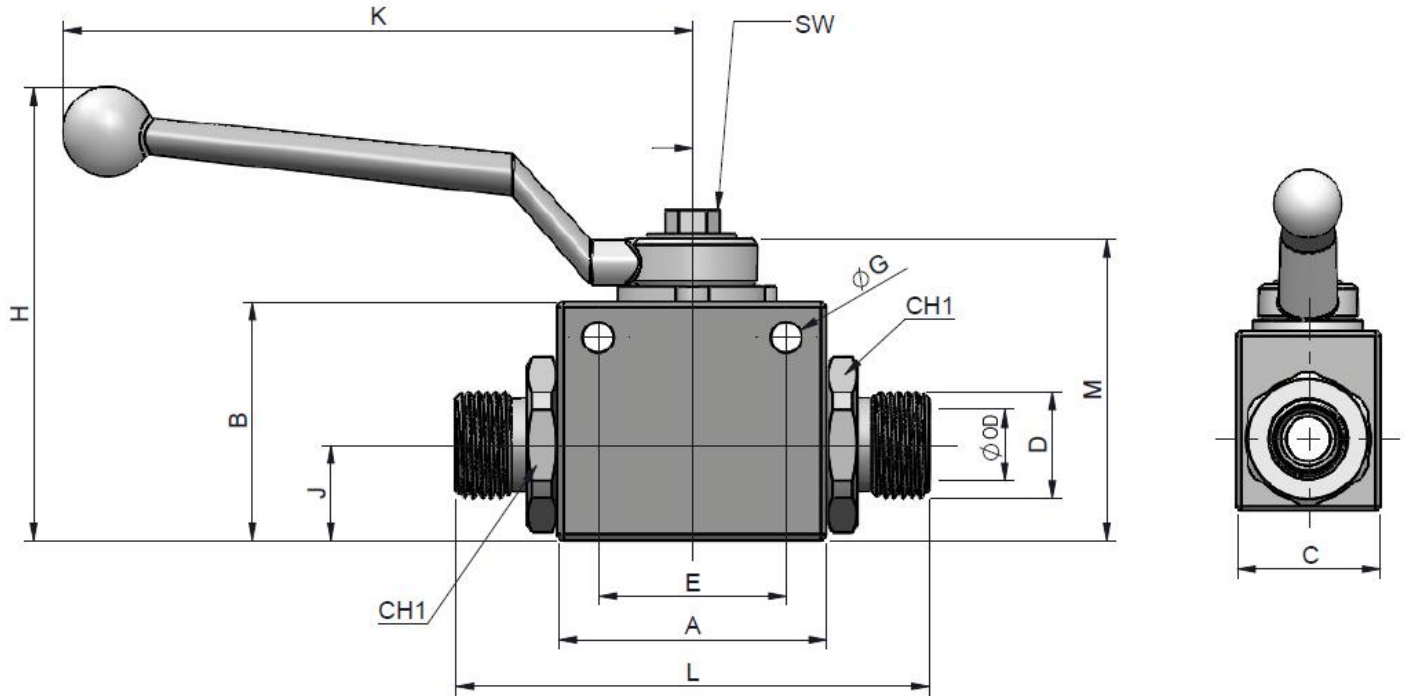
2 letters as per Table of Threads




# 402 SERIES

## V2MT

2 WAY BALL VALVES: M – M  
CARBON STEEL  
DIN 2353 (ISO 8434-1)



(S)	D	OD	Without M.H.	With M.H.		CH1	L	A	B	M	K	H	J	C	SW	Ø G	E
6	M12x1.5	6L	402.1011JB	402.1111JB	500	22	79	40	35	45.50	106	71	13	26	9	4.50	320
	M14x1.5	8L	402.1011JC	402.1111JC			80										
	M16x1.5	8S	402.1011KD	402.1111KD			80										
	M18x1.5	10S	402.1011KE	402.1111KE			80										
10	M16x1.5	10L	402.1012JD	402.1112JD	500	27	77	45	35	50.50	106	76	16	32	9	5.20	320
	M18x1.5	12L	402.1012JE	402.1112JE			80										
	M22x1.5	15L	402.1012JG	402.1112JG			80										
	M20x1.5	12S	402.1012KF	402.1112KF			80										
13	M22x1.5	15L	402.1013JG	402.1113JG	500	30	93	50	45	55.50	106	81	17.50	35	9	6.50	38.50
	M26x1.5	18L	402.1013JI	402.1113JI													
	M24x1.5	16S	402.1013KH	402.1113KH													
	M30x2.0	20S	402.1013KJ	402.1113KJ													
20	M30x2.0	22L	402.1014JJ	402.1114JJ	400	41	108	60	58	73	160	108	23	50	14	6.50	48.50
	M30x2.0	20S	402.1014KJ	402.1114KJ			115										
	M36x2.0	25S	402.1014KK	402.1114KK													
25	M36x2.0	28L	402.1015JK	402.1115JK	350	46	114	65	65	80	160	115	27.50	57	14	8.50	50.50
	M42x2.0	30S	402.1015KL	402.1115KL			129										