



412 SERIES

V2RD 2-WAY VALVE



TECHNICAL FEATURES

Operating pressure: Up to 500 Bar

Available Sizes: 1/4" a 2"

Materials: Body: Carbon Steel EN 10277-3
Stainless Steel 316 / 303

Working Temperature (O-rings)

O-rings: NBR / VITON / EPDM

	NBR	Viton	EPDM
+	+100°C	+200°C	+150°C
-	-30°C	-10°C	-40°C

Seating Ball: NYLON

Handle: Zamak - 5

Available Threads: BSP / NPTF / ISO 11926 (J1926)
DIN 2353 (ISO 8434-1)

Sectors: Industrial / Agricultural

Anchoring System: Available ISO 5211 (Mounting actuators)

Applications: Designed for oil hydraulic (Group II- 2014/68/EU)



Interchange: PISTER BKH / MHA BKA / HYDAC KHB / DMIC DVH

MODEL STRUCTURE

Example:

412.1016 AG F03

Series	Material	Mounting H.	O-rings	Size (S)	Thread	ISO 5211*
412.	1 Carbon St.	0 No	1 NBR	1 6	2 letters as per Table of Threads	-
	2 SS316		2 VITON	2 10		F03
	3 SS303		3 EPDM	3 13		F04
				4 20		F05
				5 25		F06
				6 32		F07
				7 40		
				8 50		

412-1

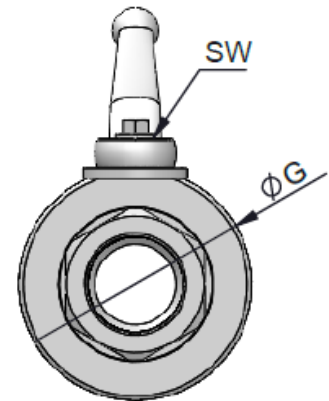
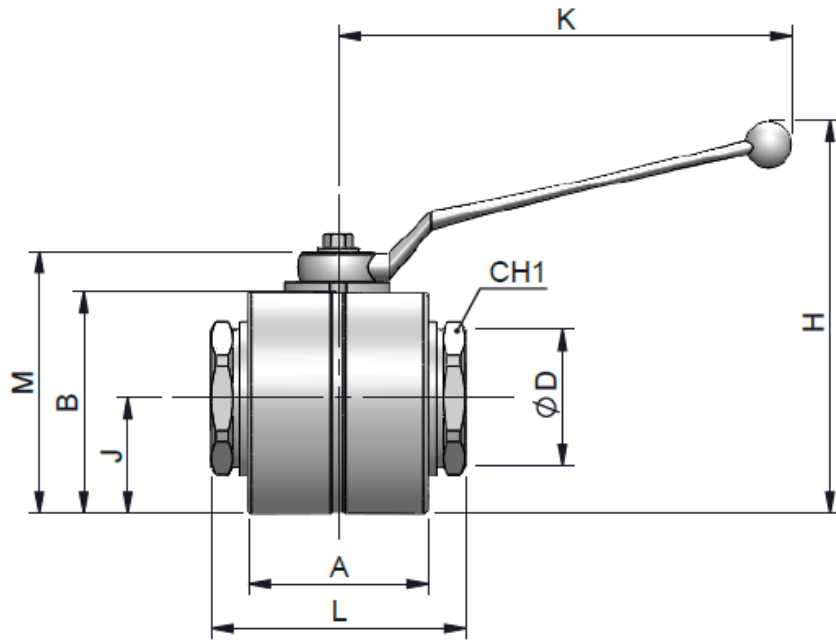
INTEVA reserves the right to make modifications to its products without prior notice. Any external or internal alterations to our products will automatically void the warranty.


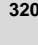




412 SERIES V2RD

2-WAY VALVE: F – F
CARBON STEEL
BSP / NPTF / ISO 11926 (J1926)

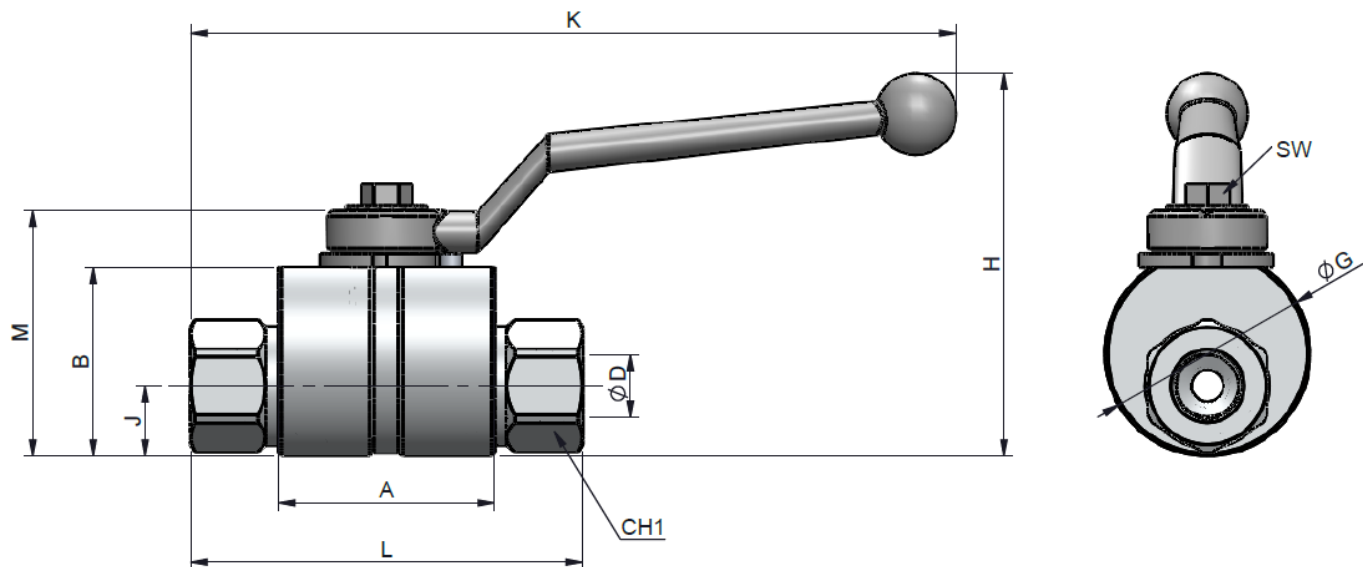


(S)	Ø D	REF.		CH1	L	A	M	K	H	J	B	ØG	SW
32	1 1/4" BSP	412.1016AG		55	110	80	100	160	135	41	86	90	14
	1 1/4" NPTF	412.1016BG											
	1 5/8"- 12h UN (ORB)	412.1016GT											
	M45x2 35L	412.1016JM											
	M52x2 38S	412.1016KN											
40	1 1/2" BSP	412.1017AH	320	65	120	85	114	160	176	45	105	110	17
	1 1/2" NPTF	412.1017BH											
50	2" BSP	412.1018AI	320	50	140	100	129	214	191	52	115	120	17
	2" NPTF	412.1018BI											



412 SERIES V2RD

2-WAY VALVE: F – F
SS316
BSP / NPTF / ISO 11926 (J1926)

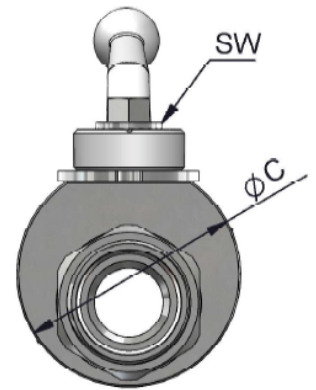
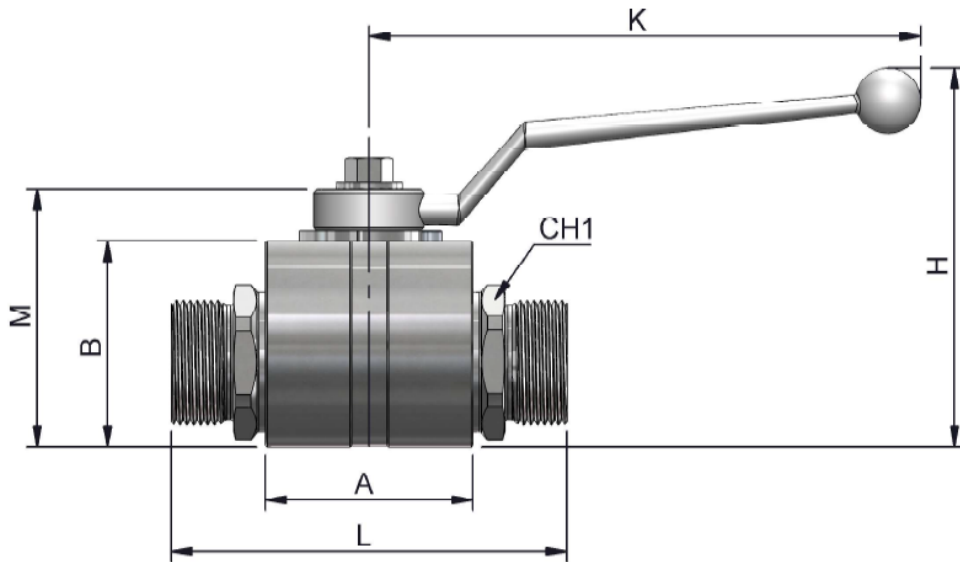



(S)	Ø D	REF.		CH1	L	A	M	K	H	J	B	ØG	SW
6	1/4" BSP	412.2021AB	500	22	75	40	46	106	71	13	35	38	9
	1/4" NPTF	412.2021BB											
	7/16"- 20h UNF (ORB)	412.2021GA											
10	3/8" BSP	412.2022AC	500	27	75	45	51	106	76	16	40	45	9
	3/8" NPTF	412.2022BC											
	9/16"- 18h UNF (ORB)	412.2023GF											
13	1/2" BSP	412.2023AD	500	30	85	50	56	106	81	18	45	48	9
	1/2" NPTF	412.2023BD											
	3/4"- 16h UNF (ORB)	412.2023GF											
20	3/4" BSP	412.2024AE	400	41	93	60	75	106	110	25	60	65	9
	3/4" NPTF	412.2024BE											
	1 1/16"- 12h UN (ORB)	412.2024GK											
25	1" BSP	412.2025AF	350	46	115	65	80	156	115	18	65	70	14
	1" NPTF	412.2025BF											
	1 1/4" BSP	412.2025AG		50	137								
	1 1/4" NPTF	412.2025BG		55	147								
	1 1/2" BSP	412.2025AH											
32	1 1/4" BSP	412.2026AG	320	55	110	80	100	106	135	41	86	90	9
	1 1/4" NPTF	412.2026BG											
	1 5/8"- 12h UN (ORB)	412.2026GT											
40	1 1/2" BSP	412.2027AH	320	65	120	85	114	214	176	45	105	110	17
	1 1/2" NPTF	412.2027BH											
50	2" BSP	412.2028AI	320	80	140	100	129	214	191	52	115	120	17
	2" NPTF	412.2028BI											



412 SERIES V2RD

2-WAY VALVE: M – M
SS316
DIN 2353 (ISO 8431-3)



(S)	Ø D	OD	REF.		CH1	L	A	M	K	H	J	B	ØC	SW
6	M12x1.5	6L	412.2021JB	500	22	75	40	46	106	71	13	35	38	9
	M14x1.5	8L	412.2021JC											
	M16x1.5	8S	412.2021KD											
	M18x1.5	10S	412.2021KE											
10	M16x1.5	10L	412.2022JD	500	27	75	45	51	106	76	16	40	45	9
	M18x1.5	12L	412.2022JE											
	M22x1.5	15L	412.2022JG											
	M20x1.5	12S	412.2022KF											
	M22x1.5	14S	412.2022KG											
13	M22x1.5	15L	412.2023JG	500	30	85	50	56	156	81	18	45	48	14
	M26x1.5	18L	412.2023JI											
	M24x1.5	16S	412.2023KH											
	M30x2.0	20S	412.2023KJ											
20	M30x2.0	22L	412.2024JJ	400	41	93	60	75	156	110	25	60	65	14
	M30x2.0	20S	412.2024KJ											
	M36x2.0	25S	412.2024KK											
25	M36x2.0	28L	412.2025JK	350	46	115	65	80	156	115	18	65	70	14
	M42x2.0	30S	412.2025KL											
32	M45x2.0	35L	412.2026JM	320	55	110	80	100	156	135	41	86	90	14
	M52x2.0	38S	412.2026KN											

412-4

INTEVA reserves the right to make modifications to its products without prior notice. Any external or internal alterations to our products will automatically void the warranty.



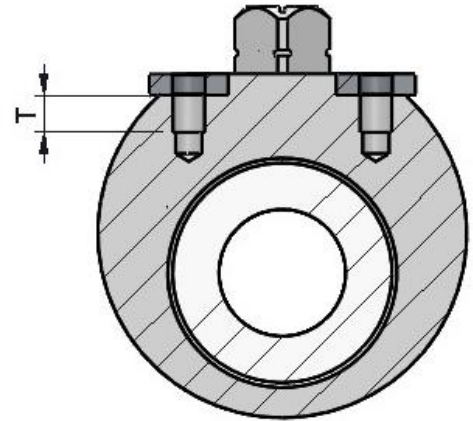
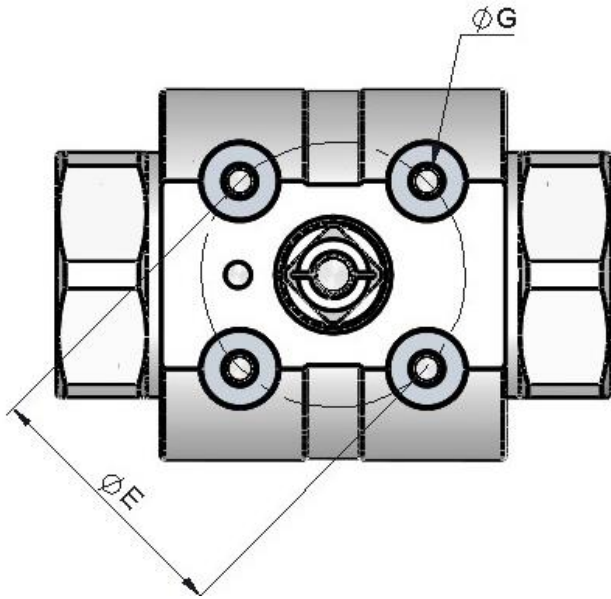


412 SERIES ISO 5211

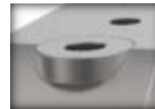
(DIRECT MOUNTING OF ACTUATORS)

NEW

Anchoring system for direct mounting part-turn actuators.
Available in our two-way valves in all sizes and threads.



V2RD



RD Valves are supplied with Washer-Supplement to facilitate actuator support.

(S)	Type	ØG	ØE	T	Max. Flange Torque (N m)
10	F03	M5	36	12	32
13	F03	M5	36	12	32
20	F04	M5	42	12	63
	F05	M6	50	12	125
25	F05	M6	50	12	125
32	F05	M6	50	12	125
40	F07	M8	70	15	250
50	F07	M8	70	15	250



AVAILABLE

412-5

INTEVA reserves the right to make modifications to its products without prior notice. Any external or internal alterations to our products will automatically void the warranty.

