



# 402 SERIES ISO 5211

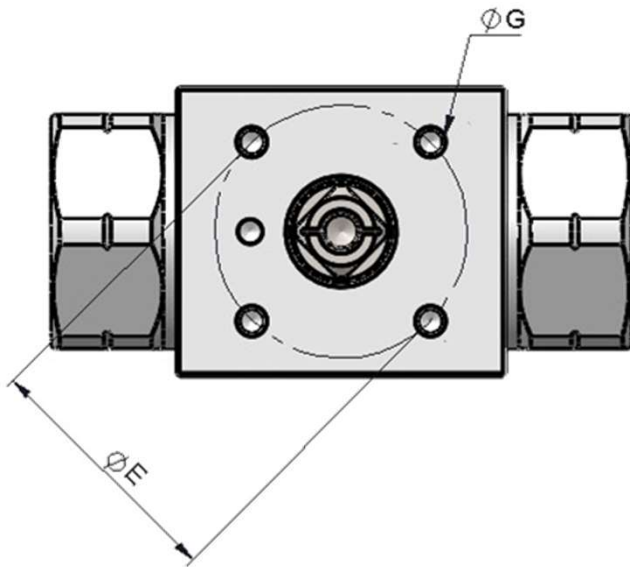
(DIRECT MOUNTING OF ACTUATORS)

Anchoring system for direct mounting part-turn actuators.  
Available in our two-way valves in all sizes and threads.

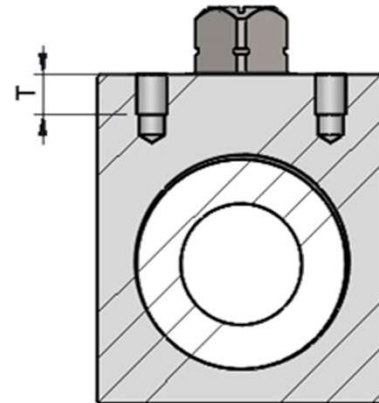
Example:

**402.1015 AB F03**

Series	Material	Mounting H.	O-rings	Size (S)	Thread	ISO 5211*
402.	1 Carbon St.	0 No	1 NBR	1 6	1/4"	-
		1 Yes	2 VITON	2 10	3/8"	2 letters as per Table of Threads
			3 EPDM	3 13	1/2"	F03
				4 20	3/4"	F04
				5 25	1"	F05



V2RH - V2MT



(S)	Type	ØG	ØE	T	Max. Flange Torque (N m)
10	F03	M5	36	12	32
13	F03	M5	36	12	32
20	F04	M5	42	12	63
	F05	M6	50	12	125
25	F05	M6	50	12	125

\*If Anchor Holes according ISO 5211 option is selected, sidely mounting holes option isn't compatible.

**402-5**

INTEVA reserves the right to make modifications to its products without prior notice. Any external or internal alterations to our products will automatically void the warranty.

