

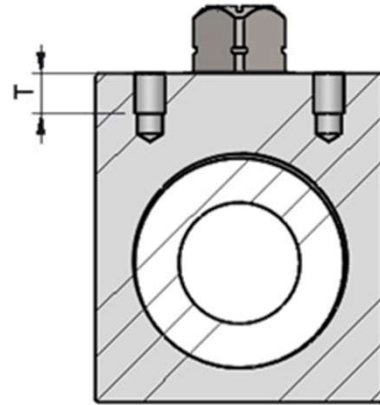
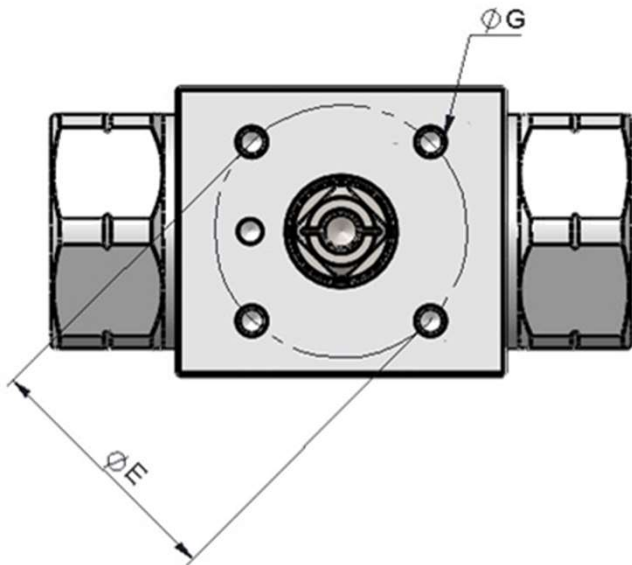


402 SERIES ISO 5211

(DIRECT MOUNTING OF ACTUATORS)

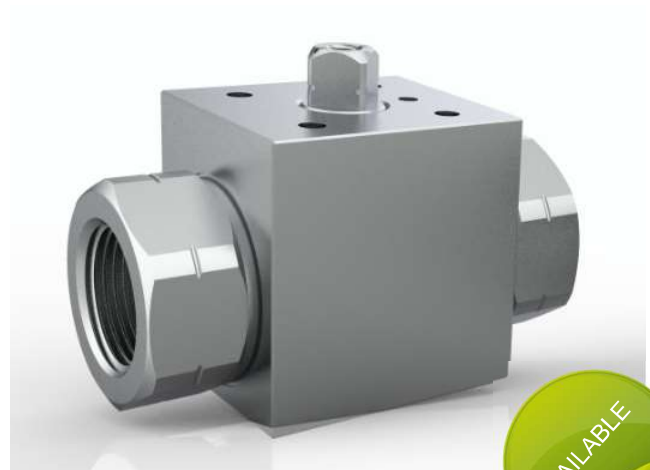
NEW

Anchoring system for direct mounting part-turn actuators.
Available in our two-way valves in all sizes and threads.



V2RH - V2MT

| (S) | Type | ØG | ØE | T | Max. Flange Torque (N m) |
|-----|------|----|----|----|--------------------------|
| 10 | F03 | M5 | 36 | 12 | 32 |
| 13 | F03 | M5 | 36 | 12 | 32 |
| 20 | F04 | M5 | 42 | 12 | 63 |
| | F05 | M6 | 50 | 12 | 125 |
| 25 | F05 | M6 | 50 | 12 | 125 |



AVAILABLE

*If Anchor Holes according ISO 5211 option is selected, sidely mounting holes option isn't compatible.

402-5

INTEVA reserves the right to make modifications to its products without prior notice. Any external or internal alterations to our products will automatically void the warranty.





402 SERIES V2RH

2 WAYS: F - F
CARBON STEEL
BSP / NPTF / ISO 11926 (J1926)

TECHNICAL SPECIFICATIONS

Operating pressure: Up to 500 Bar

Available Sizes: 1/4" a 1"

| | | |
|-------------------|---------------|-------------------------|
| Materials: | Body: | Carbon Steel EN 10277-3 |
| | O-rings: | NBR / VITON / EPDM |
| | Seating Ball: | NYLON |
| | Handle: | Zamak - 5 |

Working Temperature (O-rings)

| | NBR | Viton | EPDM |
|--|--------|--------|--------|
| | +100°C | +200°C | +150°C |
| | -30°C | -10°C | -40°C |

Available Threads: BSP / NPTF / ISO 11926 (J1926)

Sectors: Industrial / Agricultural

Anchoring System: Mounting H / ISO 5211*

Applications: Designed for oil hydraulic (Group II- 2014/68/EU)



Interchange: PISTER BKH / MHA BKA / HYDAC KHB / DMIC DVH

MODEL STRUCTURE

Example:

402.1015 AB F03

| Series | Material | Mounting H. | O-rings | Size (S) | Thread | ISO 5211* | |
|--------|--------------|-------------|---------|----------|--------|-----------------------------------|-----|
| 402. | 1 Carbon St. | 0 No | 1 NBR | 1 6 | 1/4" | - | |
| | | 1 Yes | 2 VITON | 2 10 | 3/8" | 2 letters as per Table of Threads | F03 |
| | | | 3 EPDM | 3 13 | 1/2" | | F04 |
| | | | | 4 20 | 3/4" | | F05 |
| | | | | 5 25 | 1" | | |

*If Anchor Holes according ISO 5211 option is selected, sidely mounting holes option isn't compatible.

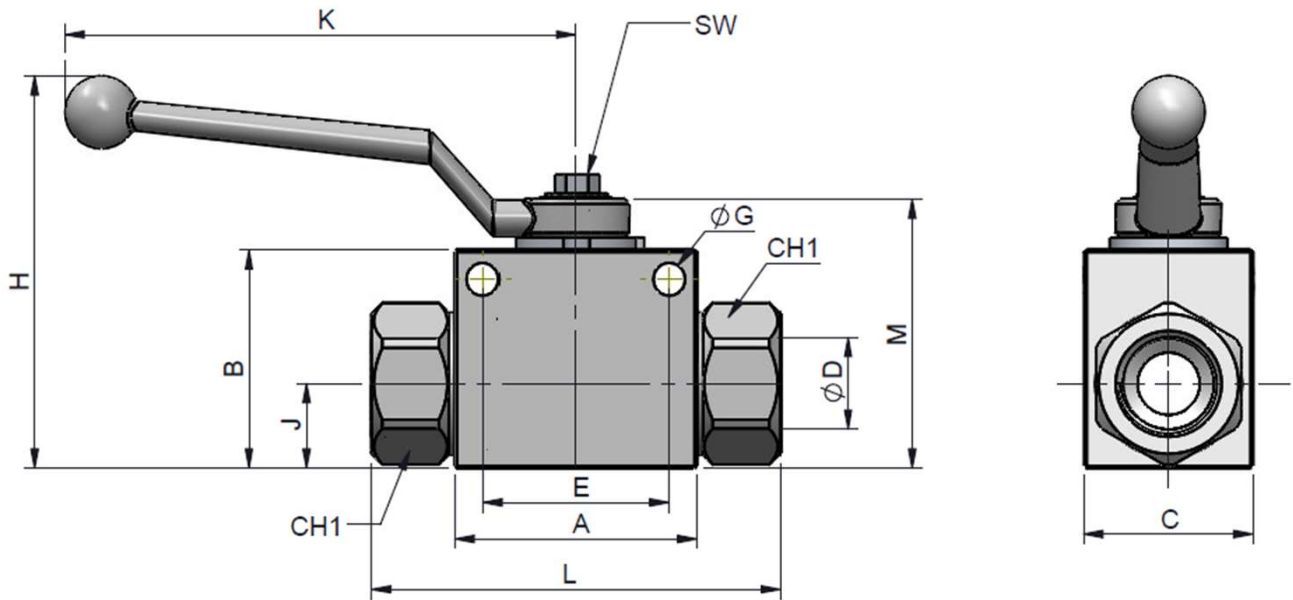
402-1



402 SERIES

V2RH

2 WAYS: F - F
 CARBON STEEL
 BSP / NPTF/ ISO 11926 (J1926)



| (S) | D | With M.H. | Without M.H. | | CH1 | L | A | B | M | K | H | J | C | SW | ØG | E | |
|-----|-----------------|------------|--------------|-----|-----|-----|----|----|-------|--------|--------|-------|----|----|------|-------|-------|
| 6 | 1/4" BSP | 402.1111AB | 402.1011AB | 500 | 22 | 75 | 40 | 35 | 45.50 | 105.50 | 71 | 13 | 26 | 9 | 4.50 | 320 | |
| | 1/4" NPTF | 402.1111BB | 402.1011.BB | | | | | | | | | | | | | | |
| | 7/16"- 20h UNF | 402.1111GA | 402.1011GA | | | | | | | | | | | | | | |
| 10 | 3/8" BSP | 402.1112AC | 402.1012AC | | 27 | 76 | 45 | 40 | 50.50 | 105.50 | 76 | 16 | 32 | 9 | 5.20 | 320 | |
| | 3/8" NPTF | 402.1112BC | 402.1012BC | | | | | | | | | | | | | | |
| | 9/16"- 18h UNF | 402.1112GC | 402.1012GC | | | | | | | | | | | | | | |
| 13 | 1/2" BSP | 402.1113AD | 402.1013AD | | 30 | 85 | 50 | 45 | 55.50 | 105.50 | 81 | 17.50 | 35 | 9 | 6.50 | 38.50 | |
| | 1/2" NPTF | 402.1113BD | 402.1013BD | | | | | | | | | | | | | | |
| | 3/4"- 16h UNF | 402.1113GF | 402.1013GF | | | | | | | | | | | | | | |
| 20 | 3/4" BSP | 402.1114AE | 402.1014AE | | 400 | 41 | 93 | 60 | 58 | 73 | 159.50 | 108 | 23 | 50 | 14 | 6.50 | 48.50 |
| | 3/4" NPTF | 402.1114BE | 402.1014BE | | | | | | | | | | | | | | |
| | 1 1/16"- 12h UN | 402.1114GK | 402.1014GK | | | | | | | | | | | | | | |
| 25 | 1" BSP | 402.1115AF | 402.1015AF | 350 | 46 | 115 | 65 | 65 | 80 | 159.50 | 115 | 27.50 | 57 | 14 | 8.50 | 50.50 | |
| | 1" NPTF | 402.1115BF | 402.1015BF | | 46 | 115 | | | | | | | | | | | |
| | 1 1/4" BSP | 402.1115AG | 402.1015AG | | 50 | 137 | | | | | | | | | | | |
| | 1 1/4" NPTF | 402.1115BG | 402.1015BG | | 50 | 137 | | | | | | | | | | | |
| | 1 1/2" BSP | 402.1115AH | 402.1015AH | | 55 | 147 | | | | | | | | | | | |
| | 1 1/2" NPTF | 402.1115BH | 402.1015BH | | 55 | 147 | | | | | | | | | | | |
| | 1 5/16"-12h UN | 402.1115GO | 402.1015GO | | 46 | 115 | | | | | | | | | | | |



402 SERIES

V2MT

2 WAY: M – M
 CARBON STEEL
 DIN 2353 (ISO 8434-1)

TECHNICAL SPECIFICATIONS

| | | |
|----------------------------|---|-------------------------|
| Operating pressure: | Up to 500 Bar | |
| Materials: | Body: | Carbon Steel EN 10277-3 |
| | O-rings: | NBR / VITON / EPDM |
| | Seating Ball: | NYLON |
| | Handle: | Zamak - 5 |
| Available Threads: | DIN 2353 (ISO 8434-1) | |
| Anchoring System: | Mounting H / ISO 5211 (Mounting actuators)* | |
| Applications: | Designed for oil hydraulic (Group II- 2014/68/EU) | |
| Interchange: | PISTER BKH / MHA BKA / HYDAC KHB / DMIC DVH | |

Available Sizes: 1/4" a 1"

Working Temperature (O-rings)

| | NBR | Viton | EPDM |
|--|--------|--------|--------|
| | +100°C | +200°C | +150°C |
| | -30°C | -10°C | -40°C |

Sectors: Industrial / Agricultural



MODEL STRUCTURE

Example:

402.1113 JG F03

| Series | Material | Mounting H. | O-rings | Size (S) | Thread | ISO 5211* | |
|--------|--------------|-------------|---------|----------|--------|-----------------------------------|------|
| 402. | 1 Carbon St. | 0 No | 1 NBR | 1 6 | 1/4" | 2 letters as per Table of Threads | |
| | | 1 Yes | 2 VITON | 2 10 | | | 3/8" |
| | | | 3 EPDM | 3 13 | | | 1/2" |
| | | | | 4 20 | | | 3/4" |
| | | | | 5 25 | | | 1" |

*If Anchor Holes according ISO 5211 option is selected, sidely mounting holes option isn't compatible.

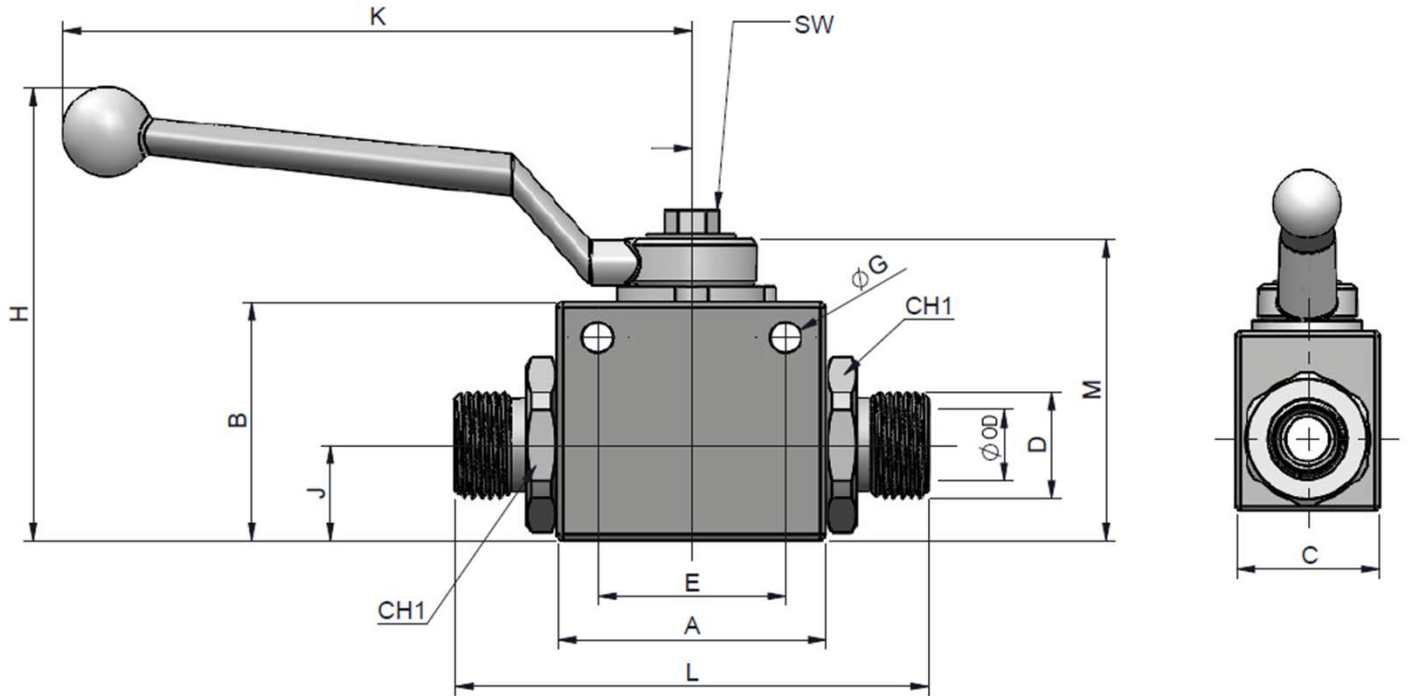
402-3




402 SERIES

V2MT

2-WAY VALVE: M – M
CARBON STEEL
DIN 2353 (ISO 8434-1)



| (S) | D | OD | With M.H. | Without M.H. |  | CH1 | L | A | B | M | K | H | J | C | SW | Ø G | E |
|-----|---------|-----|------------|--------------|---|-----|-----|----|----|-------|-----|-----|-------|----|----|------|-------|
| 6 | M12x1.5 | 6L | 402.1111JB | 402.1011JB | 500 | 22 | 79 | 40 | 35 | 45.50 | 106 | 71 | 13 | 26 | 9 | 4.50 | 320 |
| | M14x1.5 | 8L | 402.1111JC | 402.1011JC | | | 80 | | | | | | | | | | |
| | M16x1.5 | 8S | 402.1111KD | 402.1011KD | | | 80 | | | | | | | | | | |
| | M18x1.5 | 10S | 402.1111KE | 402.1011KE | | | 80 | | | | | | | | | | |
| 10 | M16x1.5 | 10L | 402.1112JD | 402.1012JD | 500 | 27 | 77 | 45 | 35 | 50.50 | 106 | 76 | 16 | 32 | 9 | 5.20 | 320 |
| | M18x1.5 | 12L | 402.1112JE | 402.1012JE | | | 80 | | | | | | | | | | |
| | M22x1.5 | 15L | 402.1112JG | 402.1012JG | | | 80 | | | | | | | | | | |
| | M20x1.5 | 12S | 402.1112KF | 402.1012KF | | | 80 | | | | | | | | | | |
| 13 | M22x1.5 | 14S | 402.1112KG | 402.1012KG | 500 | 30 | 93 | 50 | 45 | 55.50 | 106 | 81 | 17.50 | 35 | 9 | 6.50 | 38.50 |
| | M22x1.5 | 15L | 402.1113JG | 402.1013JG | | | | | | | | | | | | | |
| | M26x1.5 | 18L | 402.1113JI | 402.1013JI | | | | | | | | | | | | | |
| | M24x1.5 | 16S | 402.1113KH | 402.1013KH | | | | | | | | | | | | | |
| 20 | M30x2.0 | 20S | 402.1113KJ | 402.1013KJ | 400 | 41 | 108 | 60 | 58 | 73 | 160 | 108 | 23 | 50 | 14 | 6.50 | 48.50 |
| | M30x2.0 | 22L | 402.1114JJ | 402.1014JJ | | | | | | | | | | | | | |
| | M36x2.0 | 25S | 402.1114KK | 402.1014KK | | | | | | | | | | | | | |
| 25 | M36x2.0 | 28L | 402.1115JK | 402.1015JK | 350 | 46 | 114 | 65 | 65 | 80 | 160 | 115 | 27.50 | 57 | 14 | 8.50 | 50.50 |
| | M42x2.0 | 30S | 402.1115KL | 402.1015KL | | | 129 | | | | | | | | | | |