

# 402 SERIES V2RH

2 WAY BALL VALVES: F - F  
CARBON STEEL  
BSP / NPTF/ ISO 11926 (J1926)

## TECHNICAL SPECIFICATIONS

**Operating pressure:** Up to 500 Bar

**Available Sizes:** 1/4" a 1"

<b>Materials:</b>	<b>Body:</b>	Carbon Steel EN 10277-3
	<b>O-rings:</b>	NBR / VITON / EPDM
	<b>Ball seats:</b>	Polyamide 6
	<b>Handle:</b>	Zamak - 5

**Working Temperature (O-rings)**

	NBR	Viton	EPDM
	+100°C	+200°C	+150°C
	-30°C	-10°C	-40°C

**Available Threads:** BSP / NPTF / ISO 11926 (J1926)

**Sectors: Industrial / Agricultural**

**Anchoring System:** Mounting H / ISO 5211 (Mounting actuators)

**Applications:** Designed for oil hydraulic (Group II- 2014/68/EU)

**Interchange:** PISTER BKH / MHA BKA / HYDAC KHB / DMIC DVH



## MODEL STRUCTURE

**Example:**

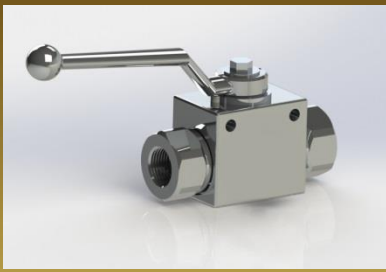
# 402.1015 AB

Series	Material	Mounting H.	O-rings	Size (S)	Thread
402.	1 Carbon St.	0 No	1 NBR	1 6	2 letters as per Table of Threads
		1 Yes	2 VITON	2 10	
			3 EPDM	3 13	
				4 20	
				5 25	

# 402-1

INTEVA reserves the right to make modifications to its products without prior notice. Any external or internal alterations to our products will automatically void the warranty.

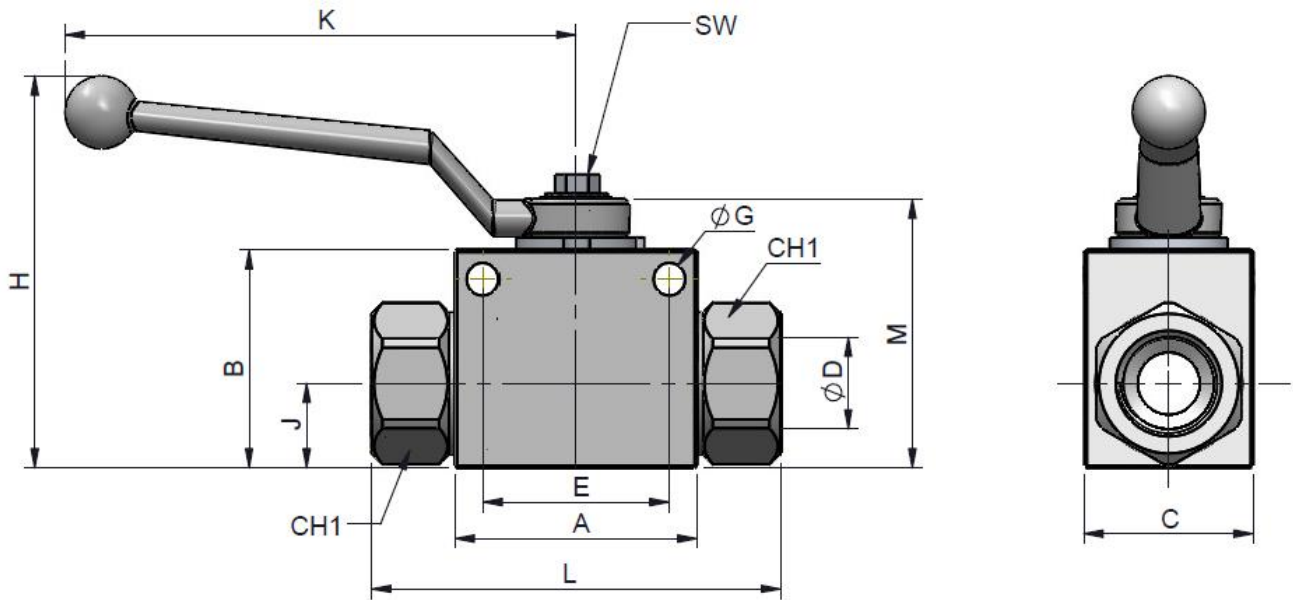





# 402 SERIES

## V2RH

2 WAY BALL VALVES: F - F  
 CARBON STEEL  
 BSP / NPTF/ ISO 11926 (J1926)



(S)	D	Without M.H.	With M.H.		CH1	L	A	B	M	K	H	J	C	SW	ØG	E	
6	1/4" BSP	402.1011AB	402.1111AB	500	22	75	40	35	45.50	105.50	71	13	26	9	4.50	320	
	1/4" NPTF	402.1011BB	402.1111BB														
	7/16"- 20h UNF	402.1011GA	402.1111GA														
10	3/8" BSP	402.1012AC	402.1112AC		27	76	45	40	50.50	105.50	76	16	32	9	5.20	320	
	3/8" NPTF	402.1012BC	402.1112BC														
	9/16"- 18h UNF	402.1012GC	402.1112GC														
13	1/2" BSP	402.1013AD	402.1113AD		30	85	50	45	55.50	105.50	81	17.50	35	9	6.50	38.50	
	1/2" NPTF	402.1013BD	402.1113BD														
	3/4"- 16h UNF	402.1013GF	402.1113GF														
20	3/4" BSP	402.1014AE	402.1114AE		400	41	93	60	58	73	159.50	108	23	50	14	6.50	48.50
	3/4" NPTF	402.1014BE	402.1114BE														
	1 1/16"- 12h UN	402.1014GK	402.1114GK														
25	1" BSP	402.1015AF	402.1115AF	350	46	115	65	65	80	159.50	115	27.50	57	14	8.50	50.50	
	1" NPTF	402.1015BF	402.1115BF		46	115											
	1 1/4" BSP	402.1015AG	402.1115AG		50	137											
	1 1/4" NPTF	402.1015BG	402.1115BG		50	137											
	1 1/2" BSP	402.1015AH	402.1115AH		55	147											
	1 1/2" NPTF	402.1015BH	402.1115BH		55	147											
	1 5/16"-12h UN	402.1015GO	402.1115GO		46	115											