

402 SERIES V2RH

2 WAYS: F - F
CARBON STEEL
BSP / NPTF / ISO 11926 (J1926)

TECHNICAL SPECIFICATIONS

Operating pressure: Up to 500 Bar

Available Sizes: 1/4" a 1"

Materials:	Body:	Carbon Steel EN 10277-3
	O-rings:	NBR / VITON / EPDM
	Seating Ball:	NYLON
	Handle:	Zamak - 5

Working Temperature (O-rings)

	NBR	Viton	EPDM
	+100°C	+200°C	+150°C
	-30°C	-10°C	-40°C

Available Threads: BSP / NPTF / ISO 11926 (J1926)

Sectors: Industrial / Agricultural

Anchoring System: Mounting H / ISO 5211*

Applications: Designed for oil hydraulic (Group II- 2014/68/EU)



Interchange: PISTER BKH / MHA BKA / HYDAC KHB / DMIC DVH

MODEL STRUCTURE

Example:

402.1015 AB F03

Series	Material	Mounting H.	O-rings	Size (S)	Thread	ISO 5211*
402.	1 Carbon St.	0 No	1 NBR	1 6	1/4"	-
		1 Yes	2 VITON	2 10	3/8"	2 letters as per Table of Threads
			3 EPDM	3 13	1/2"	F03
				4 20	3/4"	F04
				5 25	1"	F05

*If Anchor Holes according ISO 5211 option is selected, sidely mounting holes option isn't compatible.

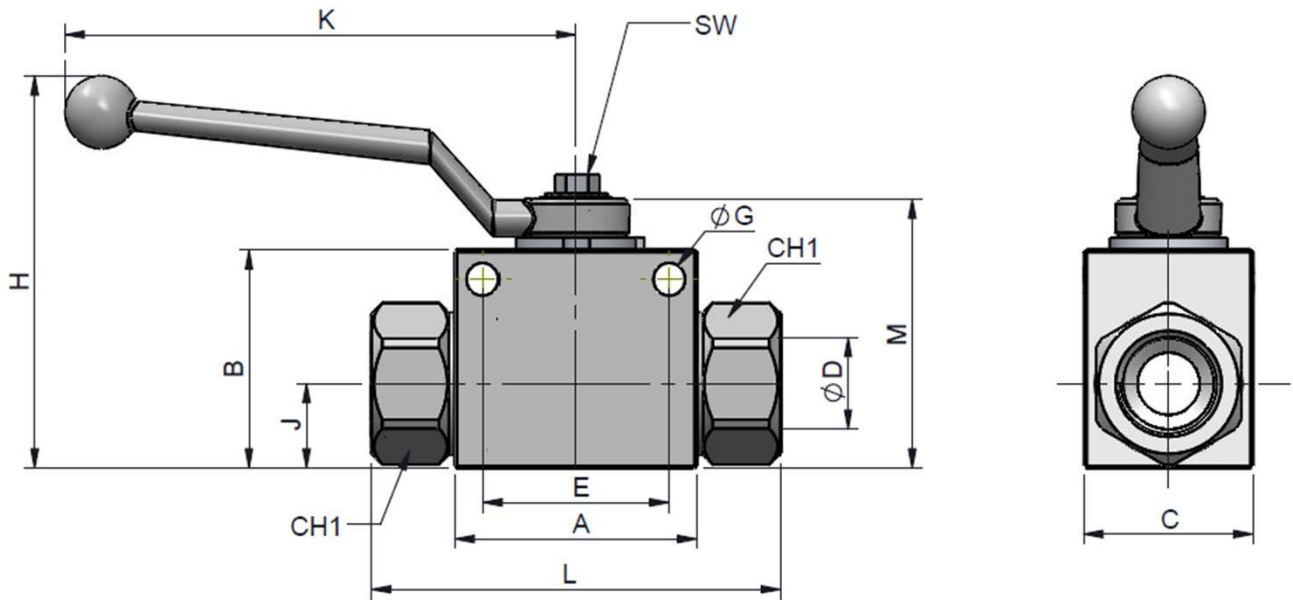
402-1



402 SERIES

V2RH

2 WAYS: F - F
 CARBON STEEL
 BSP / NPTF/ ISO 11926 (J1926)



(S)	D	With M.H.	Without M.H.		CH1	L	A	B	M	K	H	J	C	SW	ØG	E	
6	1/4" BSP	402.1111AB	402.1011AB	500	22	75	40	35	45.50	105.50	71	13	26	9	4.50	320	
	1/4" NPTF	402.1111BB	402.1011.BB														
	7/16"- 20h UNF	402.1111GA	402.1011GA														
10	3/8" BSP	402.1112AC	402.1012AC		27	76	45	40	50.50	105.50	76	16	32	9	5.20	320	
	3/8" NPTF	402.1112BC	402.1012BC														
	9/16"- 18h UNF	402.1112GC	402.1012GC														
13	1/2" BSP	402.1113AD	402.1013AD		30	85	50	45	55.50	105.50	81	17.50	35	9	6.50	38.50	
	1/2" NPTF	402.1113BD	402.1013BD														
	3/4"- 16h UNF	402.1113GF	402.1013GF														
20	3/4" BSP	402.1114AE	402.1014AE		400	41	93	60	58	73	159.50	108	23	50	14	6.50	48.50
	3/4" NPTF	402.1114BE	402.1014BE														
	1 1/16"- 12h UN	402.1114GK	402.1014GK														
25	1" BSP	402.1115AF	402.1015AF	350	46	115	65	65	80	159.50	115	27.50	57	14	8.50	50.50	
	1" NPTF	402.1115BF	402.1015BF		46	115											
	1 1/4" BSP	402.1115AG	402.1015AG		50	137											
	1 1/4" NPTF	402.1115BG	402.1015BG		50	137											
	1 1/2" BSP	402.1115AH	402.1015AH		55	147											
	1 1/2" NPTF	402.1115BH	402.1015BH		55	147											
	1 5/16"-12h UN	402.1115GO	402.1015GO		46	115											