



453 SERIES V3CR

3 WAY BALL VALVES: F – M – F
BSP

TECHNICAL SPECIFICATIONS

Features: With bulkhead thread and nut for panel mounting.



Operating pressure: Up to 500 Bar

Available Sizes: 1/4" a 1"

Materials:
 Body: Carbon Steel EN 10277-3
 O-rings: NBR / VITON / EPDM
 Ball seats: Polyamide 6
 Handle: Zamak – 5

Working Temperature (O-rings)

	NBR	Viton	EPDM
	+100°C	+200°C	+150°C
	-30°C	-10°C	-40°C

Available Threads: BSP

Sectors: Industrial / Agricultural

Anchoring System: Mounting Holes

Applications: Designed for oil hydraulic (Group II- 2014/68/EU)

Interchange: STANDARD INTEVA



MODEL STRUCTURE

Example:

453.1014 AE

Series	Material	Mounting H.	O-rings	Size (S)	Thread
453. L 90°	1 Carbon St.	0 No	1 NBR	1 6	2 letters as per Table of Threads
455. T 90°		1 Yes	2 VITON	2 10	
456. T 180°			3 EPDM	3 13	
				4 20	
				5 25	

Type Closing L 90°			
Type Closing T 90°			
Type Closing T 180°			

Attention: Pressure connections should always be made through the central port (2)

453-1

INTEVA reserves the right to make modifications to its products without prior notice. Any external or internal alterations to our products will automatically void the warranty.

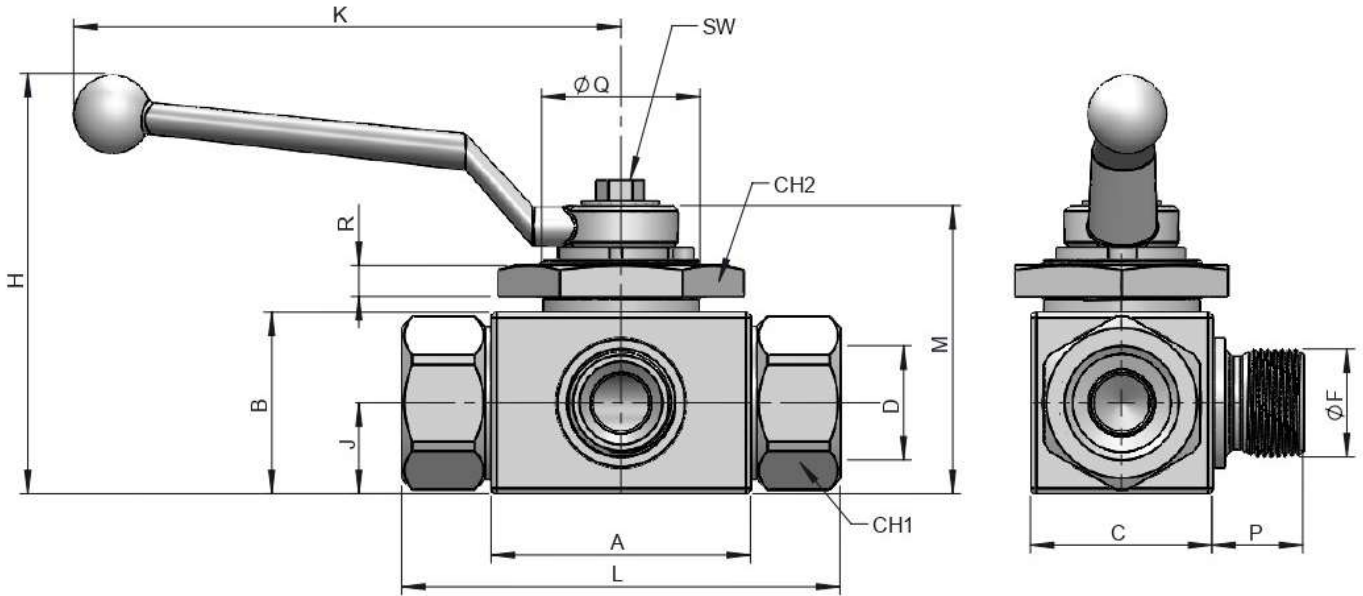
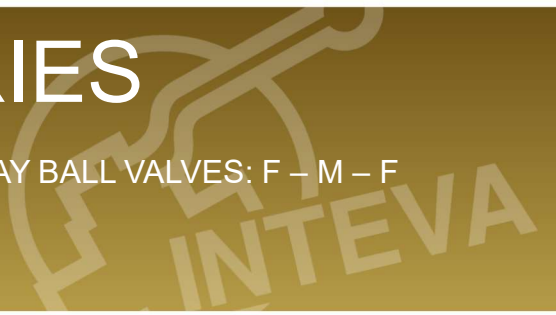




453 SERIES

V3CR

3 WAY BALL VALVES: F – M – F
BSP



(S)	D	REF.		CH1	CH2	L	A	B	M	K	H	J	C	SW	R	Q	P
6	1/4" BSP	453.1011AB	500	22	30	72.60	40	35	45.50	105.50	71	13	26	8.90	6	M32x1.5	13
10	3/8" BSP	453.1012AC		27	41	75.50	45	40	50.50		76	16	32			M32x1.5	15
13	1/2" BSP	453.1013AD		30		84.50	50	45	55.50		81	17.50	35				17.5
20	3/4" BSP	453.1014AE	400	41	50	93.50	60	58	73	159.50	108	23	50	13.90		M45x1.5	19
25	1" BSP	453.1015AF	350	46	50	114.50	65	65	80		115	27.50	57				25