



453 SERIES V3CR

3-WAY VALVE: F – M – F
BSP



TECHNICAL SPECIFICATIONS

Features: With bulkhead thread and nut for panel mounting.



Operating pressure: Up to 500 Bar

Available Sizes: 1/4" a 1"

Materials:
 Body: Carbon Steel EN 10277-3
 O-rings: NBR / VITON / EPDM
 Seating Ball: Polyamide 6
 Handle: Zamak – 5

Working Temperature (O-rings)

	NBR	Viton	EPDM
	+100°C	+200°C	+150°C
	-30°C	-10°C	-40°C

Available Threads: BSP

Sectors: Industrial / Agricultural

Anchoring System: Mounting H

Applications: Designed for oil hydraulic (Group II- 2014/68/EU)

Interchange: STANDARD INTEVA



MODEL STRUCTURE

Example:

453.1014 AE

Series	Material	Mounting H.	O-rings	Size (S)	Thread
453. L 90°	1 Carbon St.	0 No	1 NBR	1 6	2 letters as per Table of Threads
455. T 90°		1 Yes	2 VITON	2 10	
456. T 180°			3 EPDM	3 13	
				4 20	
				5 25	

Type Closing L 90°			
Type Closing T 90°			
Type Closing T 180°			

Attention: Pressure connections should always be made through the central port (2)

453-1

INTEVA reserves the right to make modifications to its products without prior notice. Any external or internal alterations to our products will automatically void the warranty.

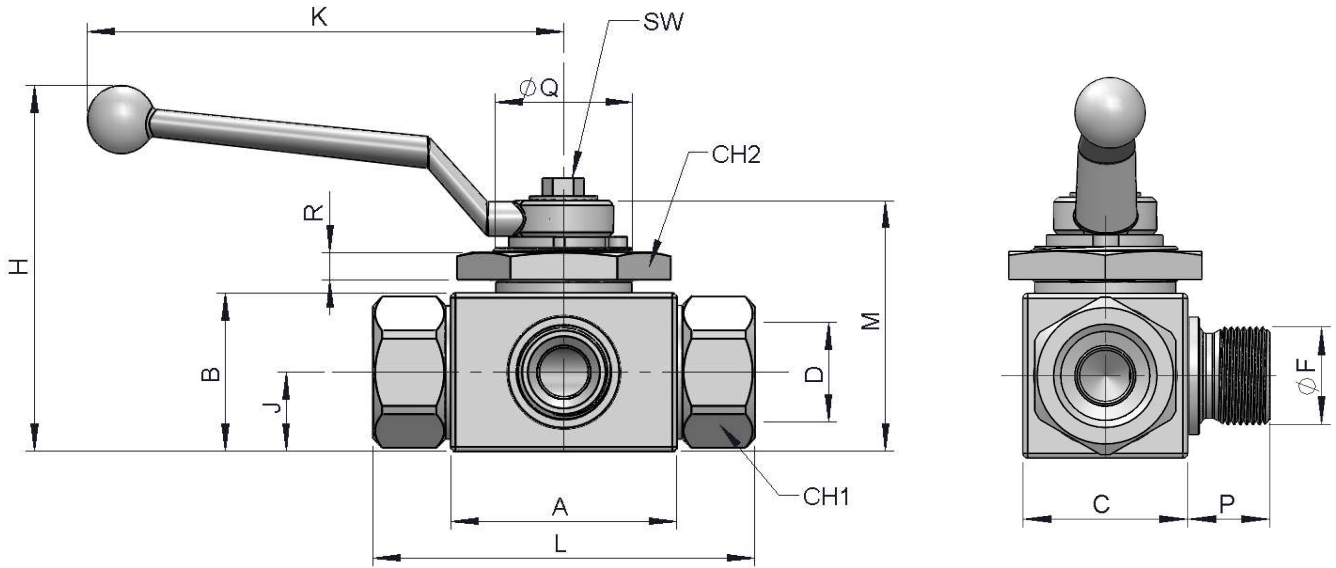





453 SERIES

V3CR

3-WAY VALVE: F – M – F
BSP



(S)	D	REF.		CH1	CH2	L	A	B	M	K	H	J	C	SW	R	Q	P
6	1/4" BSP	453.1011AB	500	22	30	72.60	40	35	45.50	105.50	71	13	26	8.90	6	M32x1.5	13
10	3/8" BSP	453.1012AC		27	41	75.50	45	40	50.50		76	16	32			M32x1.5	15
13	1/2" BSP	453.1013AD		30		84.50	50	45	55.50		81	17.50	35			M32x1.5	17.5
20	3/4" BSP	453.1014AE	400	41	50	93.50	60	58	73	159.50	108	23	50	13.90	6	M45x1.5	19
25	1" BSP	453.1015AF	350	46	50	114.50	65	65	80		115	27.50	57				M45x1.5