



# 432 SERIES ISO 5211

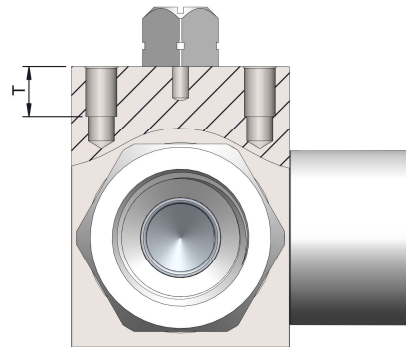
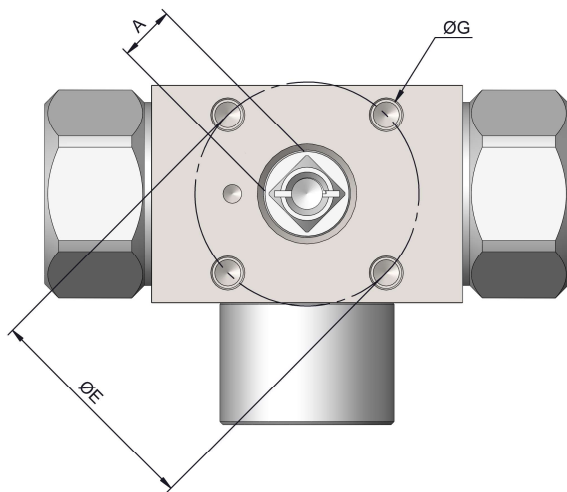
(DIRECT MOUNTING OF ACTUATORS)

Anchoring system for direct mounting part-turn actuators.  
Available in our three-way valves in the indicate sizes below.

Example:

**432.1012 AC F03**

Series	Material	Mounting H.	O-rings	Size (S)	Threads	ISO 5211*	
432.	1 Carbon St.	0 No	1 NBR	2 10	3/8"	2 letters as per Table of Threads	F03
		1 Yes	2 VITON	3 13	1/2"		F04
			3 EPDM	4 20	3/4"		F05
				5 25	1"		



V3RH – V3MT

(S)	TYPE	A	ØG	ØE	T	Max. Flange Torque (N m)
10	F03	8.9	M5	36	12	32
13	F03	8.9	M5	36	12	32
20	F04	13.9	M5	42	12	63
	F05	13.9	M6	50	12	125
25	F05	13.9	M6	50	12	125



\*If anchor Holes according ISO 5211 option is selected, sidely mounting holes option isn't compatible.



# 432 SERIES ISO 5211

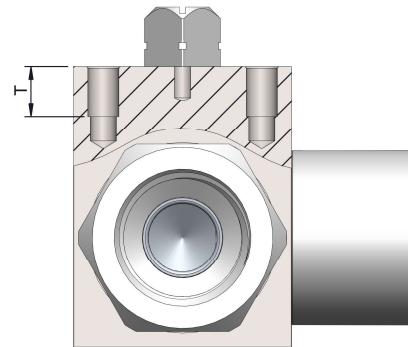
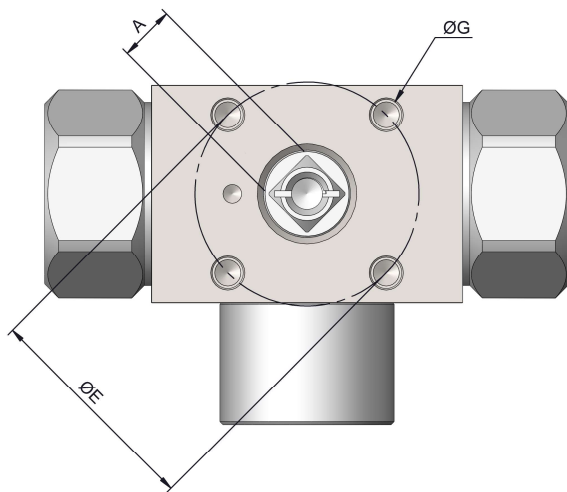
(DIRECT MOUNTING OF ACTUATORS)

Anchoring system for direct mounting part-turn actuators.  
Available in our three-way valves in the indicate sizes below.

Example:

**432.200212 AC F03**

Series	Material	Mounting H.	Ball Seats	O-rings	Model	Size (S)	Threads	ISO 5211*	
432.	1 SS316	0 No	0 Polyamide 6	1 NBR 2 VITON 3 EPDM	1 Special	2 10	3/8"	2 letters as per Table of Threads	F03
		1 Yes				3 13	1/2"		F04
						4 20	3/4"		F05
						5 25	1"		



V3RH – V3MT

(S)	TYPE	A	ØG	ØE	T	Max. Flange Torque (N m)
10	F03	8.9	M5	36	12	32
13	F03	8.9	M5	36	12	32
20	F04	13.9	M5	42	12	63
	F05	13.9	M6	50	12	125
25	F05	13.9	M6	50	12	125



\*If anchor Holes according ISO 5211 option is selected, sidely mounting holes option isn't compatible.