



432 SERIES V3RH

3 WAY BALL VALVES: F – F – H
CARBON STEEL
BSP / NPTF / ISO 11926 (J1926)

Thread combinations available on request and minimum quantity..

TECHNICAL SPECIFICATIONS

Operating pressure: Up to 500 Bar

Available Sizes: 1/4" a 1"

Materials: Body: Carbon Steel EN 10277-3

Working Temperature (O-rings)

O-rings: NBR / VITON / EPDM

	NBR	Viton	EPDM
	+100°C	+200°C	+150°C
	-30°C	-10°C	-40°C

Ball seats: Polyamide 6

Handle: Zamak – 5

Sistema de Cierre: Type L 90° / Type T 90° / Type T 180°

Available Threads: BSP / NPTF / ISO 11926 (J1926)

Sectors: Industrial / Agricultural

Anchoring System: Mounting Holes



Applications: Designed for oil hydraulic (Group II- 2014/68/EU)

Interchange: PISTER BK3 / MHA BK3 / HYDAC KHB3K

MODEL STRUCTURE

Example:

432.1113 AD

Series	Material	Mounting H.	O-rings	Size (S)	Thread
432. L 90°	1 Carbon St.	0 No	1 NBR	1 6	1/4" 2 letters as per
434. T 90°		1 Yes	2 VITON	2 10	3/8" Table of
436. T 180°			3 EPDM	3 13	1/2" Threads
				4 20	3/4"
				5 25	1"

Type Closing L 90°	3	2	1	2
Type Closing T 90°	3	2	1	2
Type Closing T 180°	3	2	1	2

Attention: Pressure connections should always be made through the central port (2)

432-1

INTEVA reserves the right to make modifications to its products without prior notice. Any external or internal alterations to our products will automatically void the warranty.

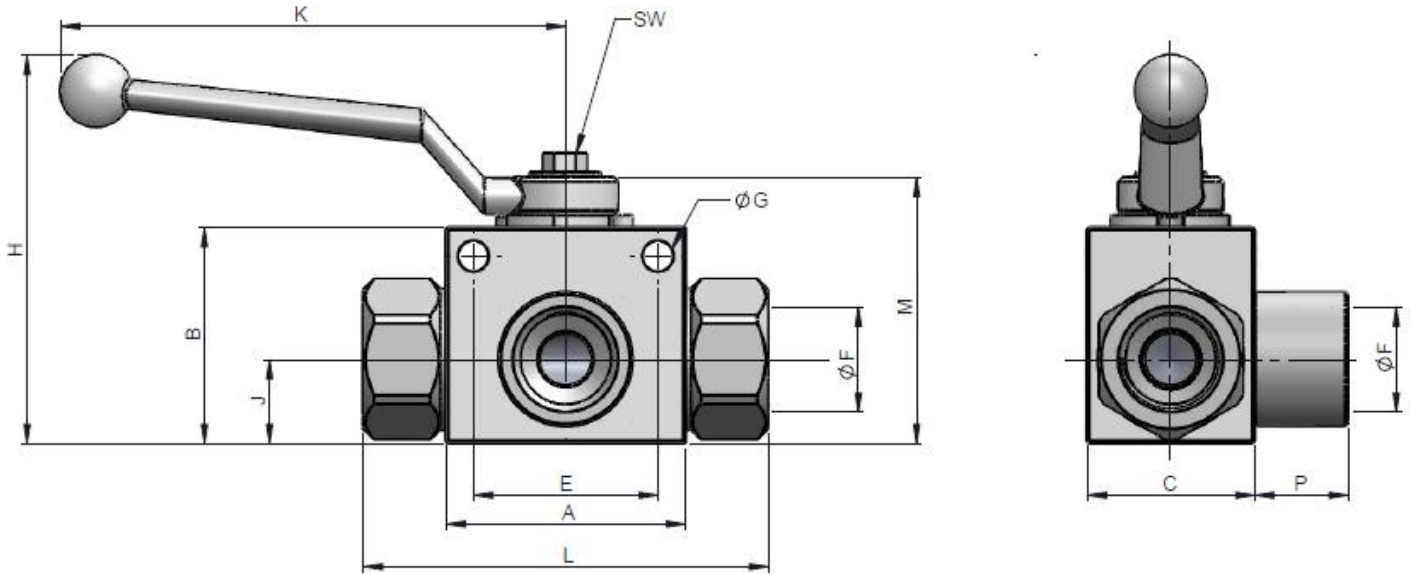





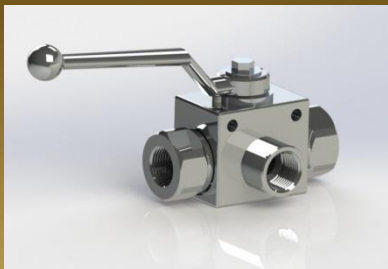
432 SERIES

V3RH

3 WAY BALL VALVES: F – F – F
 CARBON STEEL
 BSP / NPTF / ISO 11926 (J1926)



(S)	D / F	Without M.H.	With M.H.		CH1	L	A	B	M	K	H	J	C	SW	Ø G	E	P
6	1/4" BSP	432.1011AB	432.1111AB	500	22	72.50	40	35	45.50	105.50	71	13	26	9	4.50	320	16
	1/4" NPTF	432.1011BB	432.1111BB														13
	7/16" - 20h UNF(ORB)	432.1011GA	432.1111GA														14
10	3/8" BSP	432.1012AC	432.1112AC	500	27	75.50	45	40	50.50	105.50	76	16	32	9	5.20	320	15
	3/8" NPTF	432.1012BC	432.1112BC														16
	9/16" - 18h UNF(ORB)	432.1012GC	432.1112GC														16
13	1/2" BSP	432.1013AD	432.1113AD	500	30	84.50	50	45	55.50	105.50	81	17.50	35	9	6.50	38.50	19.50
	1/2" NPTF	432.1013BD	432.1113BD														
	3/4" - 16h UNF(ORB)	432.1013GF	432.1113GF														
20	3/4" BSP	432.1014AE	432.1114AE	400	41	93.50	60	60	73	159.50	108	23	50	14	6.50	48.50	19
	3/4" NPTF	432.1014BE	432.1114BE														21
	1 1/16" - 12h UN(ORB)	432.1014GK	432.1114GK														
25	1" BSP	432.1015AF	432.1115AF	350	46	114.50	65	65	80	159.50	115	27.50	57	14	8.50	50.50	25
	1" NPTF	432.1015BF	432.1115BF														
	1 5/16" - 12h UN(ORB)	432.1015GO	432.1115GO														
	1 1/4" BSP	432.1015AG	432.1115AG														31
	1 1/4" NPTF	432.1015BG	432.1115BG														25
	1 1/2" BSP	432.1015AH	432.1115AH														32
	1 1/2" NPTF	432.1015BH	432.1115BH														25



432 SERIES V3RH

3 WAY BALL VALVES: F – F – F
SS316

Thread combinations available on request and minimum quantity..

TECHNICAL SPECIFICATIONS

Operating pressure:	Up to 500 Bar	
Materials:	Body:	Stainless Steel 316
	O-rings:	NBR / VITON / EPDM
	Ball seats:	Polyamide 6
	Handle:	Zamak – 5
Sistema de Cierre:	Type L 90° / Type T 90° / Type T 180°	
Available Threads:	BSP	
Anchoring System:	Mounting Holes	
Applications:	Designed for oil hydraulic (Group II- 2014/68/EU)	
Interchange:	PISTER BK3 / MHA BK3 / HYDAC KHB3K	

Available Sizes: 1/4" a 1"

Working Temperature (O-rings)

	NBR	Viton	EPDM
+	+100°C	+200°C	+150°C
-	-30°C	-10°C	-40°C

Sectors: Industrial / Agricultural

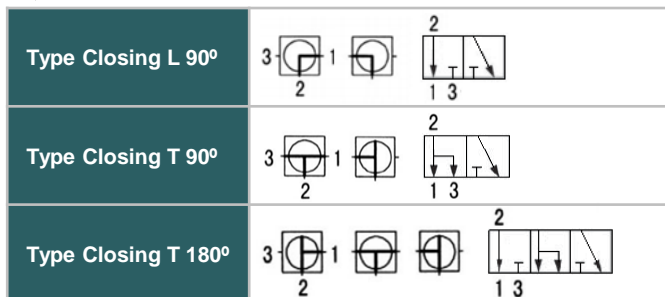


MODEL STRUCTURE

Example:

432.210213 AD

Series	Material	Mounting H.	Ball seats	O-rings	Model	Size (s)	Thread
432. L 90°	2 SS316	0 No	0 Polyamide 6	1 NBR	1 Special	1 6	2 letters as per Table of Threads
434. T 90°		1 Yes		2 VITÓN		2 10	
436. T 180°				3 EPDM		3 13	
						4 20	3/4"
						5 25	1"

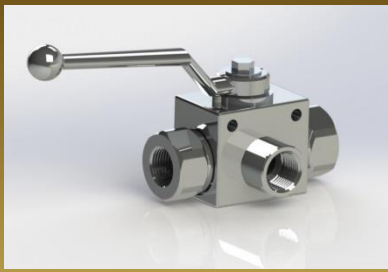


Attention: Pressure connections should always be made through the central port (2)

432-3

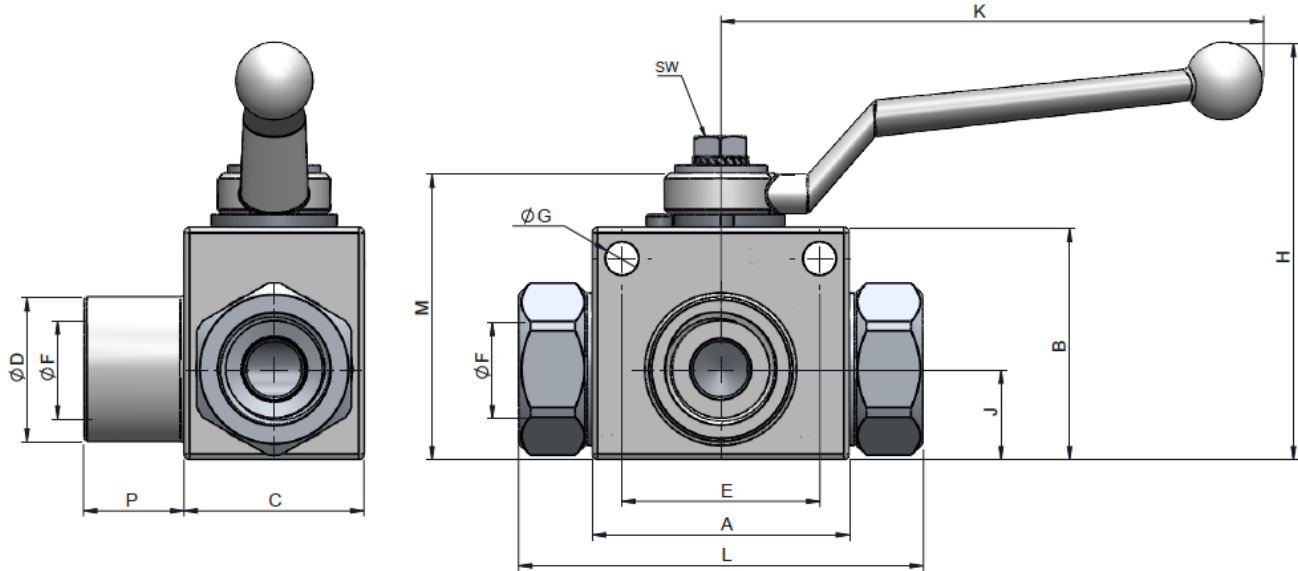
INTEVA reserves the right to make modifications to its products without prior notice. Any external or internal alterations to our products will automatically void the warranty.






432 SERIES V3RH

3 WAY BALL VALVES: F – F – F
SS316



(S)	Ø F	With M.H.	Without M.H.		CH1	L	A	B	M	K	H	J	C	SW	Ø G	E	P	Ø D
6	1/4" BSP	432.210211AB	432.200211AB	500	22	72.50	40	35	45.50	105.50	71	13	26	9	4.50	31.50	16	19
10	3/8" BSP	432.210212AC	432.200212AC		27	75.50	45	40	50.50		76	16	32		5.20	31.50	15	22
13	1/2" BSP	432.210213AD	432.200213AD		30	78.70	50	45	55.50		81	17.50	35		6.50	38.50	19.50	28
20	3/4" BSP	432.210214AE	432.200214AE	400	41	93.50	60	60	73	159.50	108	23	50	14	6.50	48.50	19	35
25	1" BSP	432.210215AF	432.200215AF	350	46	114.50	65	65	80		115	27.50	57		8.50	50.50	25	42