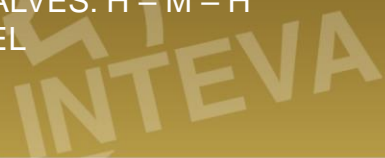




433 SERIES

V3RH

3 WAY BALL VALVES: H – M – H
CARBON STEEL
BSP



Thread combinations available on request and minimum quantity.

TECHNICAL SPECIFICATIONS

Operating pressure:	Up to 500 Bar	
Materials:	Body:	Carbon Steel EN 10277-3
	O-rings:	NBR / VITON / EPDM
	Ball seats:	Polyamide 6
	Handle:	Zamak – 5
Sistema de Cierre:	Type L 90° / Type T 90° / Type T 180°	
Available Threads:	BSP	
Anchoring System:	Mounting Holes	
Applications:	Designed for oil hydraulic (Group II- 2014/68/EU)	
Interchange:	PISTER BK3 / MHA BK3 / HYDAC KHB3K	

Available Sizes: 1/4" a 1"

Working Temperature (O-rings)

	NBR	Viton	EPDM
+	+100°C	+200°C	+150°C
-	-30°C	-10°C	-40°C

Sectors: Industrial / Agricultural



MODEL STRUCTURE

Example:

433.1115 AG

Series	Material	Mounting H.	O-rings	Size (S)	Thread
433. L 90°	1 Carbon St.	0 No	1 NBR	1 6	1/4" 2 letters as per
435. T 90°		1 Yes	2 VITON	2 10	3/8" Table of
437. T 180°			3 EPDM	3 13	1/2" Threads
				4 20	3/4"
				5 25	1"

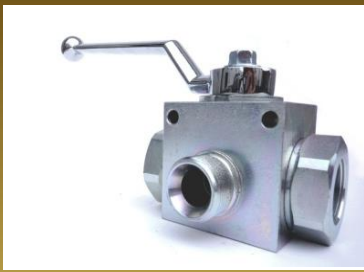
Type Closing L 90°	3 2	1 2	2 1 3
Type Closing T 90°	3 2	1 2	2 1 3
Type Closing T 180°	3 2	1 2	2 1 3

Attention: Pressure connections should always be made through the central port (2)

433-1

INTEVA reserves the right to make modifications to its products without prior notice. Any external or internal alterations to our products will automatically void the warranty.

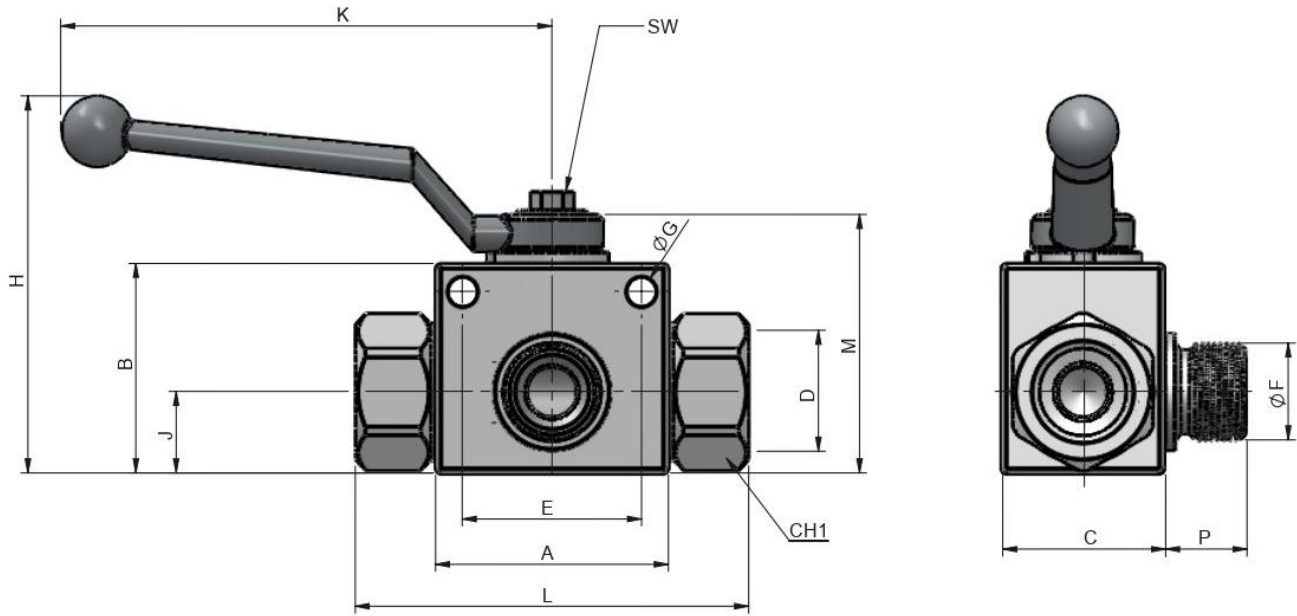





433 SERIES

V3RH

3 WAY BALL VALVES: F – M – F
CARBON STEEL
BSP



(S)	D / F	Without M.H.	With M.H.		CH1	L	A	B	M	K	H	J	C	SW	G	E	P
6	1/4" BSP	433.1011AB	433.1111AB	500	22	72.50	40	35	45.50	105.50	71	13	26	9	4.50	320	13
10	3/8" BSP	433.1012AC	433.1112AC		27	75.50	45	40	50.50	105.50	76	16	32	9	5.20	320	15
13	1/2" BSP	433.1013AB	433.1113AB		30	84.50	50	45	55.50	105.50	81	17.50	35	9	6.50	38.50	17.50
20	3/4" BSP	433.1014AE	433.1114AE	400	41	93.50	60	60	73	159.50	108	23	50	14	6.50	48.50	19
25	1" BSP	433.1015AF	433.1115AF	350	46	114.50											25
	1 1/4" BSP	433.1015AG	433.1115AG		50	136.50	65	65	80	159.50	115	27.50	57	14	8.50	50.50	28
	1 1/2" BSP	433.1015AH	433.1115AH		55	146.50											