



433 SERIES

V3RH

3-WAY VALVE: H – M – H
CARBON STEEL
BSP



Thread combinations available on request and minimum quantity.

TECHNICAL FEATURES

| | | |
|----------------------------|---|-------------------------|
| Operating pressure: | Up to 500 Bar | |
| Materials: | Body: | Carbon Steel EN 10277-3 |
| | O-rings: | NBR / VITON / EPDM |
| | Seating Ball: | Polyamide 6 |
| | Handle: | Zamak – 5 |
| Sistema de Cierre: | Type L 90° / Type T 90° / Type T 180° | |
| Available Threads: | BSP | |
| Anchoring System: | Mounting H | |
| Applications: | Designed for oil hydraulic (Group II- 2014/68/EU) | |
| Interchange: | PISTER BK3 / MHA BK3 / HYDAC KHB3K | |

Available Sizes: 1/4" a 1"

Working Temperature (O-rings)

| | NBR | Viton | EPDM |
|---|--------|--------|--------|
| + | +100°C | +200°C | +150°C |
| - | -30°C | -10°C | -40°C |

Sectors: Industrial / Agricultural



MODEL STRUCTURE

Example:

433.1115 AG

| Series | Material | Mounting H. | O-rings | Size (S) | Thread |
|-------------|--------------|-------------|---------|----------|-----------------------------------|
| 433. L 90° | 1 Carbon St. | 0 No | 1 NBR | 1 6 | 2 letters as per Table of Threads |
| 435. T 90° | | 1 Yes | 2 VITON | 2 10 | |
| 437. T 180° | | | 3 EPDM | 3 13 | |
| | | | | 4 20 | |
| | | | | 5 25 | |

| | | | |
|---------------------|-----|-----|-------|
| Type Closing L 90° | 3 2 | 1 2 | 2 1 3 |
| Type Closing T 90° | 3 2 | 1 2 | 2 1 3 |
| Type Closing T 180° | 3 2 | 1 2 | 2 1 3 |

Attention: Pressure connections should always be made through the central port (2)

433-1

INTEVA reserves the right to make modifications to its products without prior notice. Any external or internal alterations to our products will automatically void the warranty.

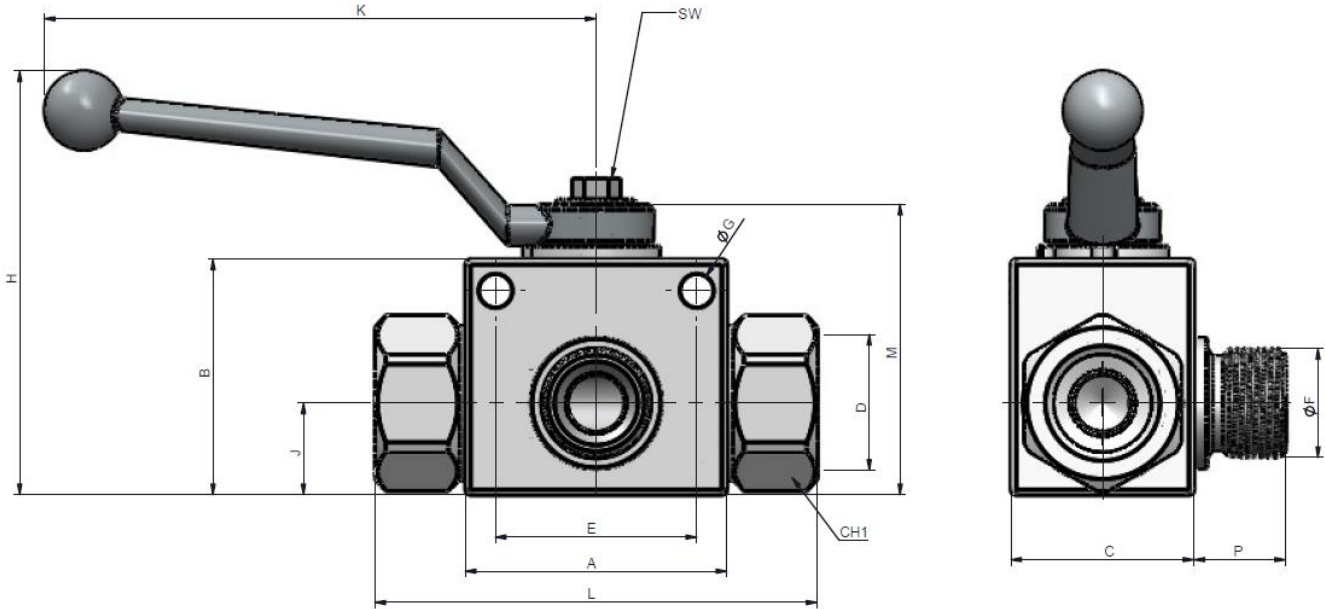





433 SERIES

V3RH

3-WAY VALVE: F – M – F
CARBON STEEL
BSP



| (S) | D / F | With M.H. | Without M.H. |  | CH1 | L | A | B | M | K | H | J | C | SW | G | E | P |
|-----|------------|------------|--------------|---|-----|--------|----|----|-------|--------|-----|-------|----|----|------|-------|-------|
| 6 | 1/4" BSP | 433.1111AB | 433.1011AB | 500 | 22 | 72.50 | 40 | 35 | 45.50 | 105.50 | 71 | 13 | 26 | 9 | 4.50 | 320 | 13 |
| 10 | 3/8" BSP | 433.1112AC | 433.1012AC | | 27 | 75.50 | 45 | 40 | 50.50 | 105.50 | 76 | 16 | 32 | 9 | 5.20 | 320 | 15 |
| 13 | 1/2" BSP | 433.1113AB | 433.1013AB | | 30 | 84.50 | 50 | 45 | 55.50 | 105.50 | 81 | 17.50 | 35 | 9 | 6.50 | 38.50 | 17.50 |
| 20 | 3/4" BSP | 433.1114AE | 433.1014AE | 400 | 41 | 93.50 | 60 | 60 | 73 | 159.50 | 108 | 23 | 50 | 14 | 6.50 | 48.50 | 19 |
| 25 | 1" BSP | 433.1115AF | 433.1015AF | 350 | 46 | 114.50 | 65 | 65 | 80 | 159.50 | 115 | 27.50 | 57 | 14 | 8.50 | 50.50 | 25 |
| | 1 1/4" BSP | 433.1115AG | 433.1015AG | | 50 | 136.50 | | | | | | | | | | | 28 |
| | 1 1/2" BSP | 433.1115AH | 433.1015AH | | 55 | 146.50 | | | | | | | | | | | 28 |