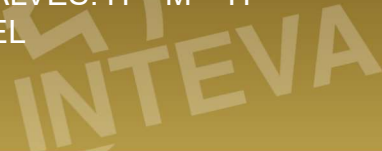




# 433 SERIES

## V3RH

3 WAY BALL VALVES: H – M – H  
CARBON STEEL  
BSP



Thread combinations available on request and minimum quantity.

### TECHNICAL SPECIFICATIONS

<b>Operating pressure:</b>	Up to 500 Bar	
<b>Materials:</b>	Body:	Carbon Steel EN 10277-3
	O-rings:	NBR / VITON / EPDM
	Ball seats:	Polyamide 6
	Handle:	Zamak – 5
<b>Sistema de Cierre:</b>	Type L 90° / Type T 90° / Type T 180°	
<b>Available Threads:</b>	BSP	
<b>Anchoring System:</b>	Mounting Holes	
<b>Applications:</b>	Designed for oil hydraulic (Group II- 2014/68/EU)	
<b>Interchange:</b>	PISTER BK3 / MHA BK3 / HYDAC KHB3K	

**Available Sizes:** 1/4" a 1"

**Working Temperature (O-rings)**

	NBR	Viton	EPDM
+	+100°C	+200°C	+150°C
-	-30°C	-10°C	-40°C

**Sectors:** Industrial / Agricultural



### MODEL STRUCTURE

Example:

# 433.1115 AG

Series	Material	Mounting H.	O-rings	Size (S)	Thread
433. L 90°	1 Carbon St.	0 No	1 NBR	1 6	1/4" 2 letters as per
435. T 90°		1 Yes	2 VITON	2 10	3/8" Table of
437. T 180°			3 EPDM	3 13	1/2" Threads
				4 20	3/4"
				5 25	1"

Type Closing L 90°	3	2	1	2	1 3
Type Closing T 90°	3	2	1	2	1 3
Type Closing T 180°	3	2	1	2	1 3

Attention: Pressure connections should always be made through the central port (2)

## 433-1

INTEVA reserves the right to make modifications to its products without prior notice. Any external or internal alterations to our products will automatically void the warranty.

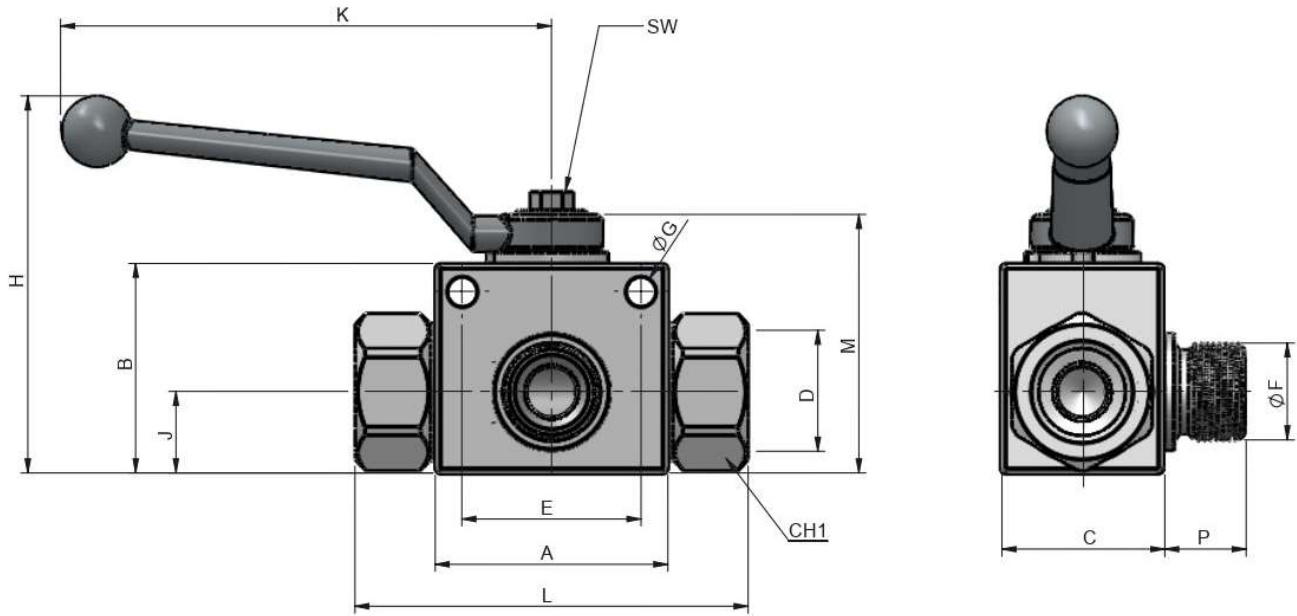





# 433 SERIES

## V3RH

3 WAY BALL VALVES: F – M –F  
CARBON STEEL  
BSP



(S)	D / F	Without M.H.	With M.H.		CH1	L	A	B	M	K	H	J	C	SW	G	E	P
6	1/4" BSP	433.1011AB	433.1111AB	500	22	72.50	40	35	45.50	105.50	71	13	26	9	4.50	320	13
10	3/8" BSP	433.1012AC	433.1112AC		27	75.50	45	40	50.50	105.50	76	16	32	9	5.20	320	15
13	1/2" BSP	433.1013AB	433.1113AB		30	84.50	50	45	55.50	105.50	81	17.50	35	9	6.50	38.50	17.50
20	3/4" BSP	433.1014AE	433.1114AE	400	41	93.50	60	60	73	159.50	108	23	50	14	6.50	48.50	19
25	1" BSP	433.1015AF	433.1115AF	350	46	114.50	65	65	80	159.50	115	27.50	57	14	8.50	50.50	25
	1 1/4" BSP	433.1015AG	433.1115AG		50	136.50											28
	1 1/2" BSP	433.1015AH	433.1115AH		55	146.50											