




201 SERIES VCR



TECHNICAL SPECIFICATIONS

Features:	Developed for hydraulic systems on tipper trucks and tank trailers a.o. Low pressure drop.													
Working Pressure:	Up to 350 Bar													
Materials:	Body:	Carbon Steel EN 10277-3												
	O-rings:	NBR / VITON / EPDM												
	Back-up-ring:	PTFE												
	Springs:	EN 10270-1/SH												
	Balls:	*												
Available Threads:	BSP													
Closing System:	Poppet Valve													
Connection/Disconnection:	Screw and unscrew both parts													
Connection Under Pressure:	Residual pressure													
	Available Size:	3/4" y 1"												
	Working Temperature (O-rings)	<table border="1"> <thead> <tr> <th></th> <th>NBR</th> <th>Viton</th> <th>EPDM</th> </tr> </thead> <tbody> <tr> <td>+</td> <td>+100°C</td> <td>+200°C</td> <td>+150°C</td> </tr> <tr> <td>-</td> <td>-30°C</td> <td>-10°C</td> <td>-40°C</td> </tr> </tbody> </table>		NBR	Viton	EPDM	+	+100°C	+200°C	+150°C	-	-30°C	-10°C	-40°C
	NBR	Viton	EPDM											
+	+100°C	+200°C	+150°C											
-	-30°C	-10°C	-40°C											
	Sectors: Vehicles													
	Applications:	Designed for Hydraulic Oil (Group II-2014/68/EU)												
	Interchange:	FASTER CVE / EDBRO												

MODEL REFERENCE

Example:

201.11114 AE

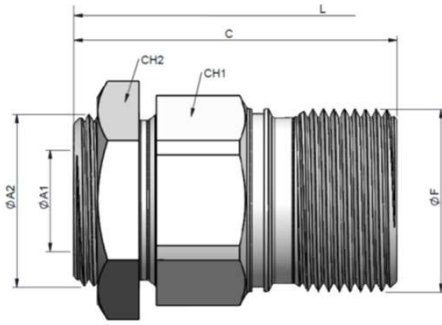
Series	Material	Part	Closing	O-rings	Size (S)	Thread
201.	1 Carbon St.	1 Male 2 Female	1 Poppet	0 Without 1 NBR 2 VITON 3 EPDM	4 20 5 25	3/4" 1" 2 letters (see Thread Table on page 999-1)



201 SERIES VCR

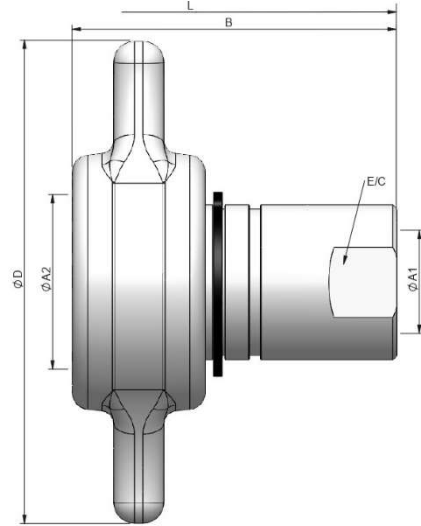


(S) 20 - 3/4"



STANDARD MALE MODELS

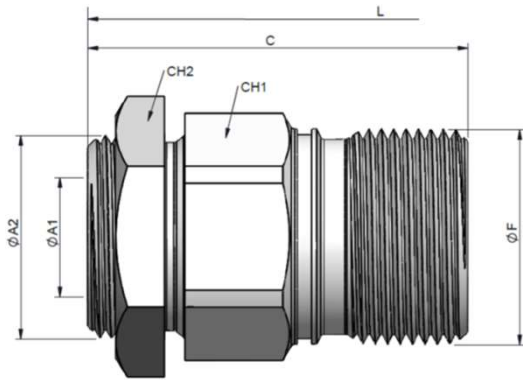
(S)	ØA1	ØA2	REF.		CH1	CH2	C	ØF	L
20	3/4" BSP	1 1/4" BSP	201.11114AE		350	46	50	78	138
	1" BSP	1" BSP	201.11114AQ					68	118,5



STANDARD FEMALE MODELS

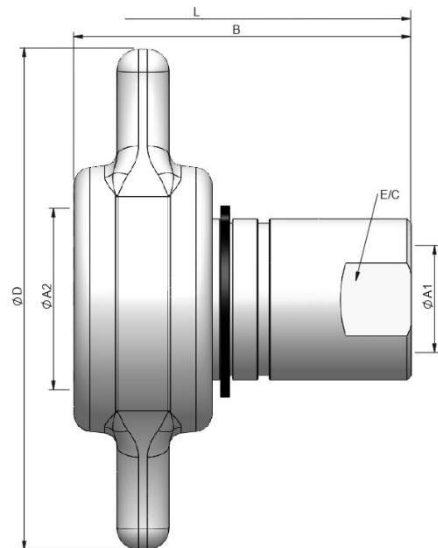
(S)	ØA1	ØA2	REF.		E/C	B	ØD	L
20	3/4" BSP	41.50	201.12114AE		350	33	78	138
	1" BSP		201.12114AQ				74	118,5

(S) 25 - 1"



STANDARD MALE MODELS

(S)	ØA1	ØA2	REF.		CH1	C	ØF	L
25	1" BSP	1 1/4" BSP	201.11115AF		350	55	83	53,6 148



STANDARD FEMALE MODELS

(S)	ØA1	ØA2	REF.		E/C	B	ØD	L
25	1" BSP	51	201.12115AF		350	40	83	115 148



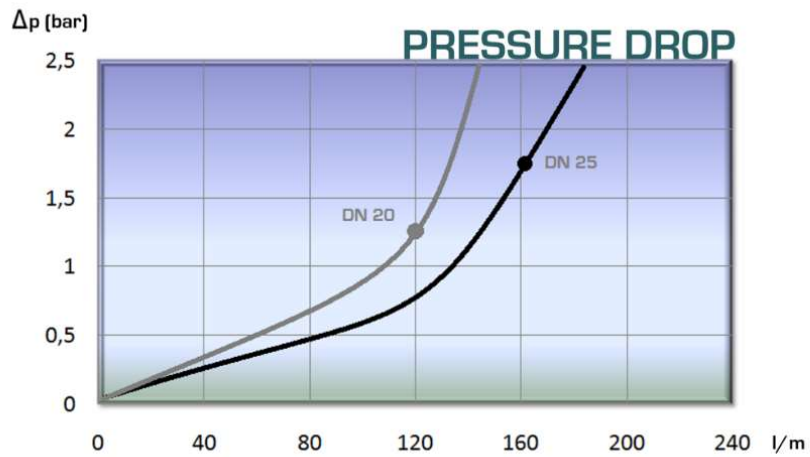
201 SERIES VCR



TECHNICAL DATA

(S)	Rated Flow	Min. Burst Pressure (bar)			Max. Working Pressure
		Male	Female	Connected	Bar
20	120 l/m	1100	1300	1325	350
25	160 l/m	1200	900	1325	300

Test performed according to ISO 18869





201 SERIES VCR

CAPS
PLUGS
PARKINGS

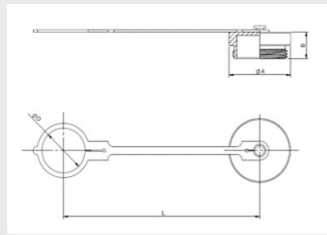


MODEL REFERENCE / DIMENSIONS

Example:

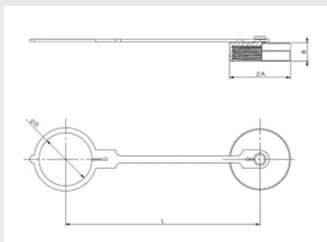
201.6304 AA

Series	Material	Part	Color	Size	Type
201.	1 Carbon St.	3 Plug	0 Metal	4 20 3/4"	AA
	6 Aluminum	4 Cap		5 25 1	
		5 Parking			



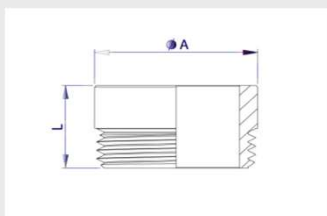
PLUG

(S)	REF.	ØA	L	B	ØD
20	201.6304AA	50	200	25	37.5
25	201.6305AA	60	191	25	42



CAP

(S)	REF.	ØA	L	B	ØD
20	201.6404AA	48	191	13	42
25	201.6405AA	60	191	18	52



PARKING

(S)	REF.	ØA	L
20	201.1504AA	45	25
25	201.1505AA	55	25