



502 SERIES VPC

HOSE BURST VALVES
& CARTRIDGES



TECHNICAL SPECIFICATIONS

Designed to avoid pressure drops in the circuit in the event of a hose break. When the oil flow exceeds the value set on the valve, the valve closes blocking the flow of fluid.

Features:

Available with depressurizer hole, for slow load drop with closed valve. *

The valves are offered with a male-female or female-female threaded body.

Operating pressure: Up to 350 Bar

Available Size: 1/4" a 1"

Materials: Body: Carbon Steel EN -10277-3

Sectors: Industrial

Springs: EN 10270-1/SH

Available Threads: BSP*

Applications: Designed for oil hydraulic (Group II- 2014/68/EU)



*On request and minimum quantity.

MODEL STRUCTURE

Example:

502.19992 AN

Series	Materials	Regulation	Size (S)	Thread
502.	1 Carbon St.	999 Random	1 6	2 letters as per Table of Threads
503.	2 SS316		2 10	
			3 13	
			4 16	
			5 19	
			6 25	

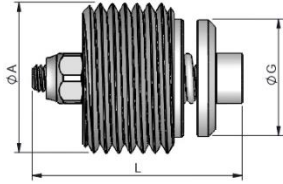
* Regulation random (999) - adjustable on request.



502 SERIES VPC

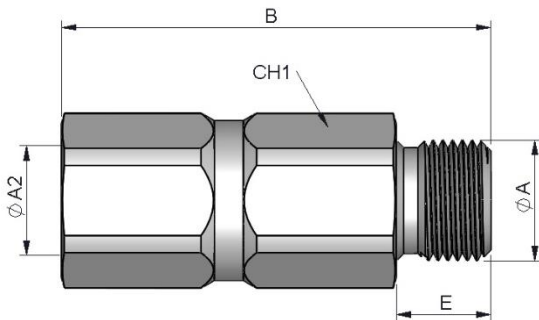
HOSE BURST VALVES
& CARTRIDGES

CARTRIDGE



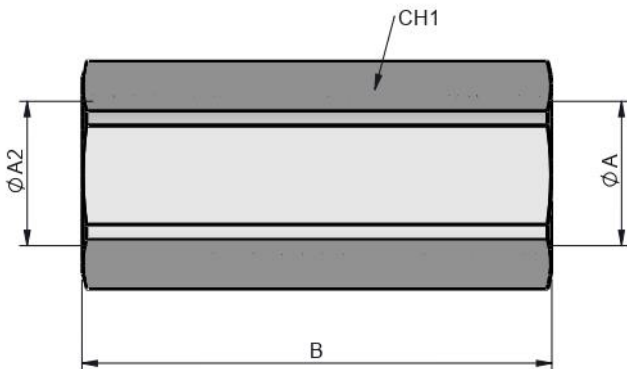
(S)	ØA1	REF.	ØG	L	
6	1/4" BSP	503.19991AM	10	23	350
10	3/8" BSP	503.19992AN	13.80	23	
13	1/2" BSP	503.19993AO	16	34	
20	3/4" BSP	503.19994AP	20	34	
25	1" BSP	503.19995AQ	24	43	

BODY THREAD FEMALE - MALE



(S)	ØA	ØA2	REF.	CH1	B	E	
6	1/4" BSP	1/4" BSP	502.19991AM	19	50	12	350
10	3/8" BSP	3/8" BSP	502.19992AN	22	59	13	
13	1/2" BSP	1/2" BSP	502.19993AO	27	65	15	
20	3/4" BSP	3/4" BSP	502.19994AP	36	78	16	
25	1" BSP	1" BSP	502.19995AQ	41	92	18	

BODY THREAD FEMALE - FEMALE



(S)	ØA1	ØA2	REF.	CH1	B	
6	1/4" BSP	1/4" BSP	502.19991AB	19	48	350
10	3/8" BSP	3/8" BSP	502.19992AC	22	59	
13	1/2" BSP	1/2" BSP	502.19993AD	27	62	
20	3/4" BSP	3/4" BSP	502.19994AE	36	72	
25	1" BSP	1" BSP	502.19995AF	41	86	

502-2

INTEVA reserves the right to make modifications to its products without prior notice. Any external or internal alterations to our products will automatically void the warranty.



v12



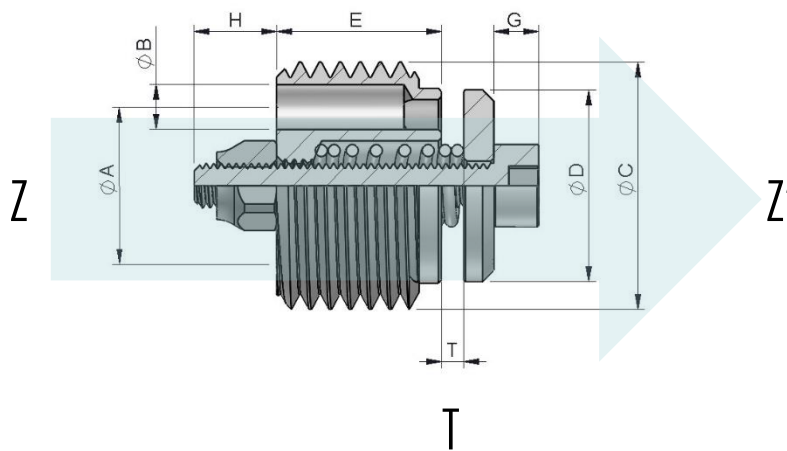
502 SERIES VPC

HOSE BURST VALVES
& CARTRIDGES



REACTION FLOW

In normal position the disc is directed by the spring enabling the passage of fluid from Z to Z1. Under normal conditions the fluid returns to the tank freely from Z to Z1. When the fluid passage increases from Z to Z1 and there is an excessive reaction the disc blocks the return to the tank anticipating a possible pressure drop. The user can adjust the fluid reaction (S) according to the needs of the safety valve.



(S)	Max. Flow Rate	Max. Pressure	A mm	B mm	C BSP	D mm	E mm	T mm	G mm	H mm
6	25 LPM	350	8.2	2.25	1/4"	10	9	See diagram below	5	4
10	50 LPM	350	11	3	3/8"	13.8	11		5	4
13	80 LPM	350	12	4.5	1/2"	16	13		5	5
20	150 LPM	350	15.5	6	3/4"	20	18		6.2	5
25	200 LPM	350	20	7	1"	24	21		7.5	5

Test performed according to ISO 18869

